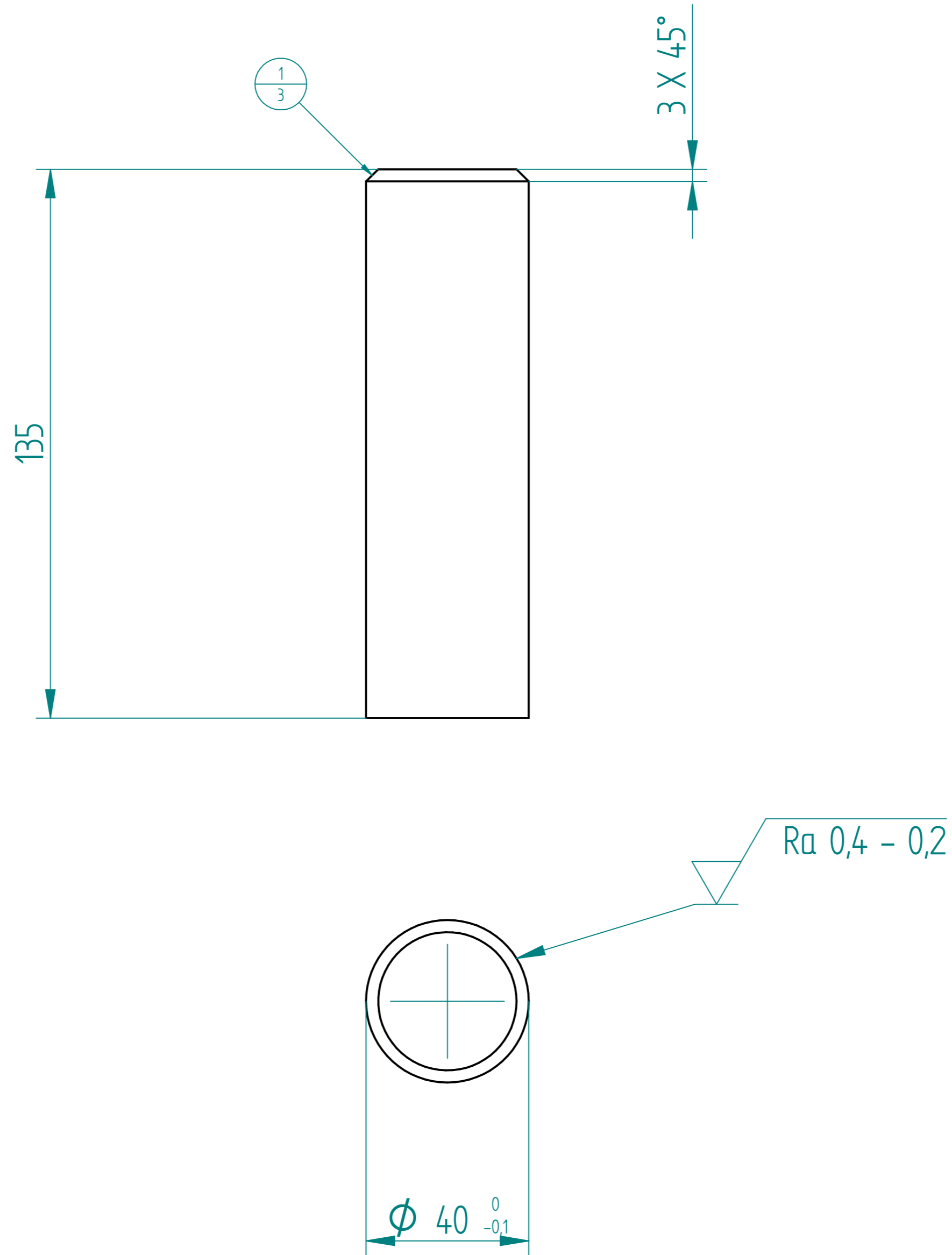
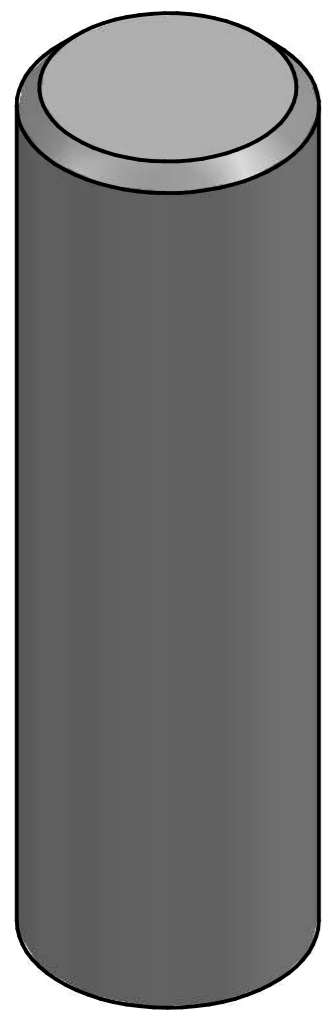


| REVISION HISTORY |             |      |          |
|------------------|-------------|------|----------|
| REV              | DESCRIPTION | DATE | APPROVED |
|                  |             |      |          |

| Item Number | File Name (no extension) | Author             | Quantity |
|-------------|--------------------------|--------------------|----------|
| 1           | Plunzr                   | Ing. Vojtech Liska | 1        |
| 2           | Valec                    | Ing. Vojtech Liska | 1        |
| 3           | Dno                      | Ing. Vojtech Liska | 1        |

|                                                                                                    |               |          |                        |             |          |
|----------------------------------------------------------------------------------------------------|---------------|----------|------------------------|-------------|----------|
|                                                                                                    | NAME          | DATE     | Solid Edge             |             |          |
| DRAWN                                                                                              | Ing. V. Liška | 12/02/19 |                        |             |          |
| CHECKED                                                                                            |               |          | TITLE<br>Sestava       |             |          |
| ENG APPR                                                                                           |               |          |                        |             |          |
| MGR APPR                                                                                           |               |          | SIZE<br>A2             | DWG NO<br>4 | REV<br>1 |
| UNLESS OTHERWISE SPECIFIED<br>DIMENSIONS ARE IN MILLIMETERS<br>ANGLES ±XX°<br>2 PL ±XXX 3 PL ±XXXX |               |          | FILE NAME: Sestava.dft | SCALE:      | WEIGHT:  |
|                                                                                                    |               |          | SHEET 1 OF 1           |             |          |

SOLID EDGE ACADEMIC COPY



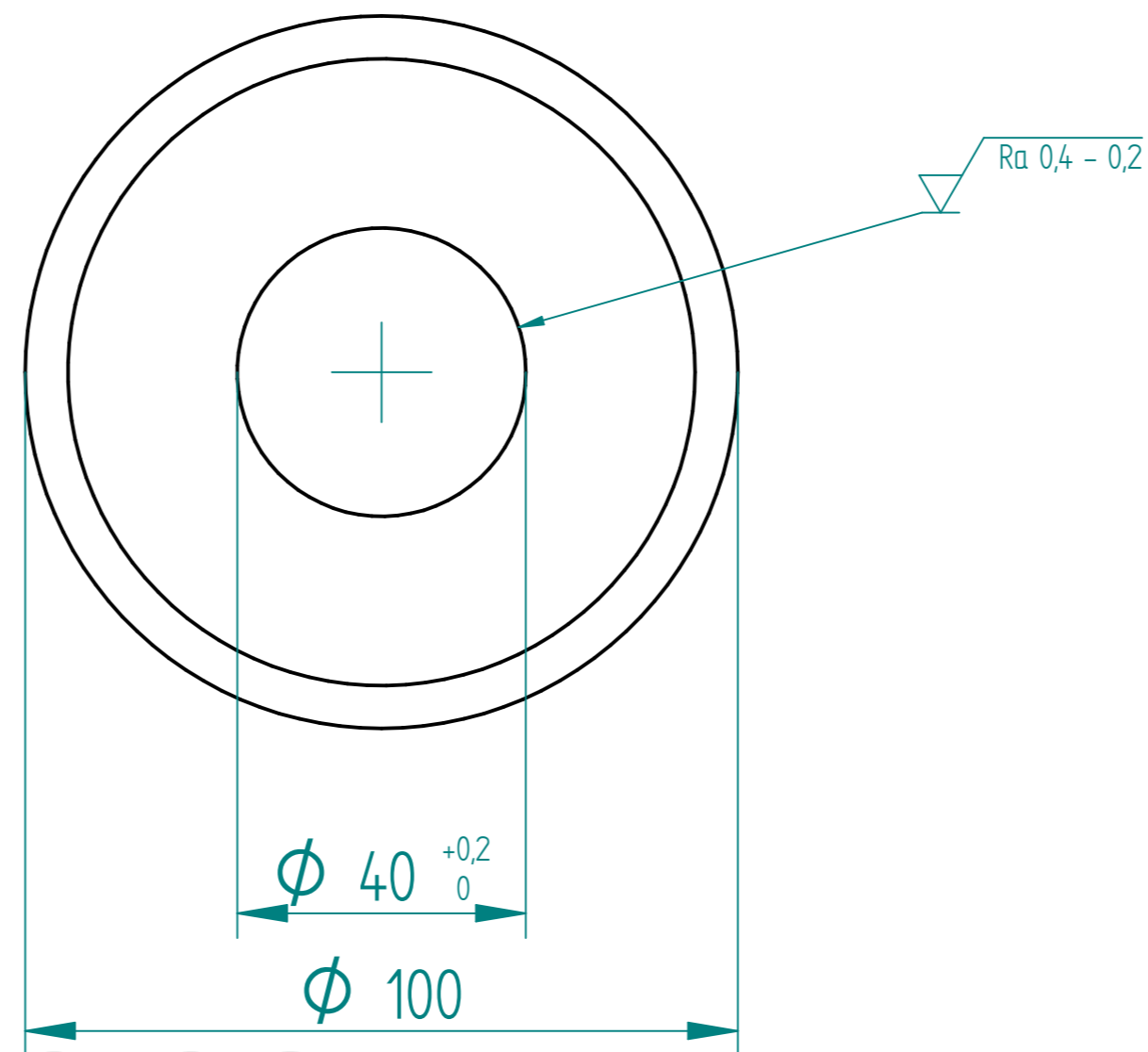
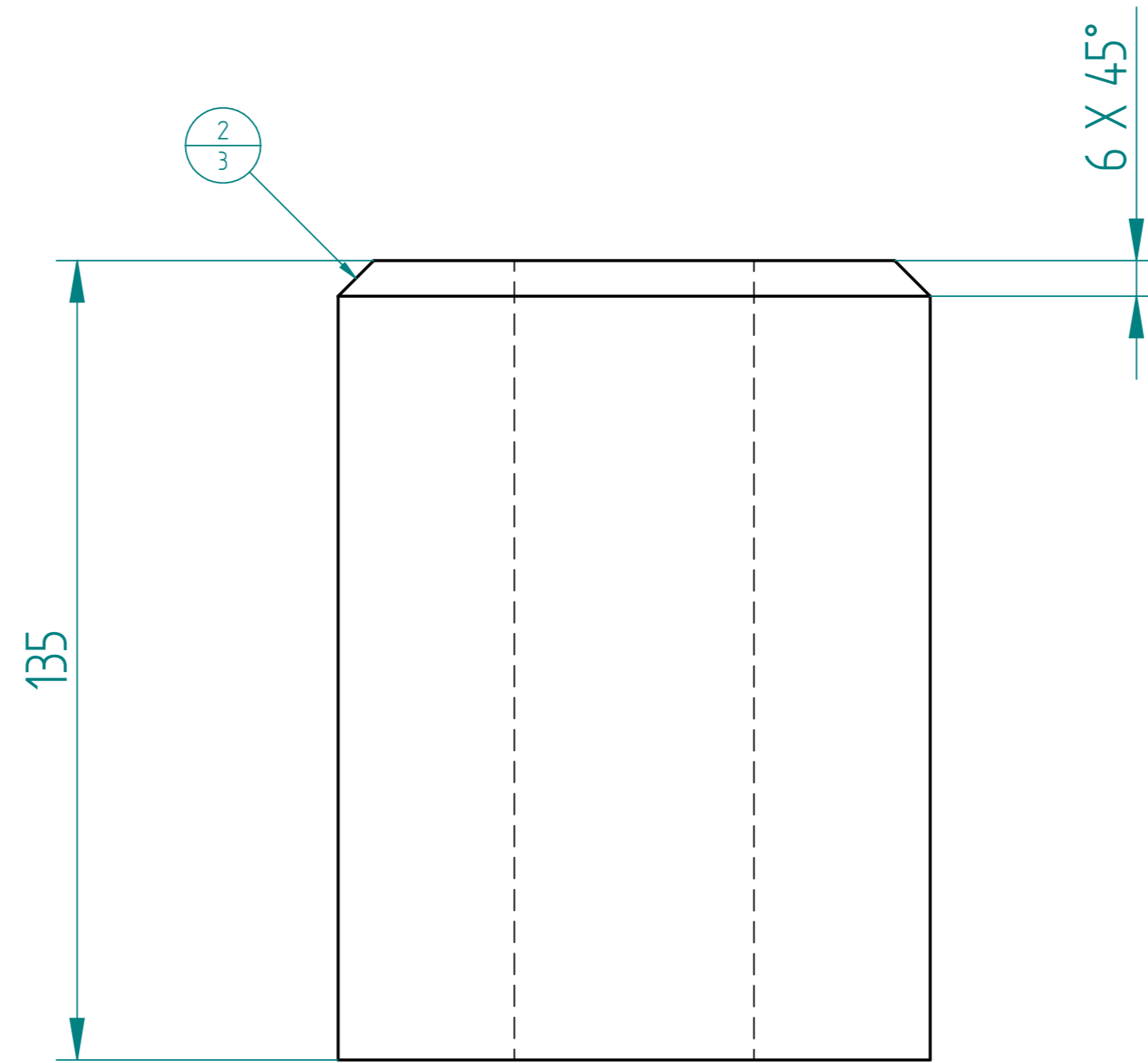
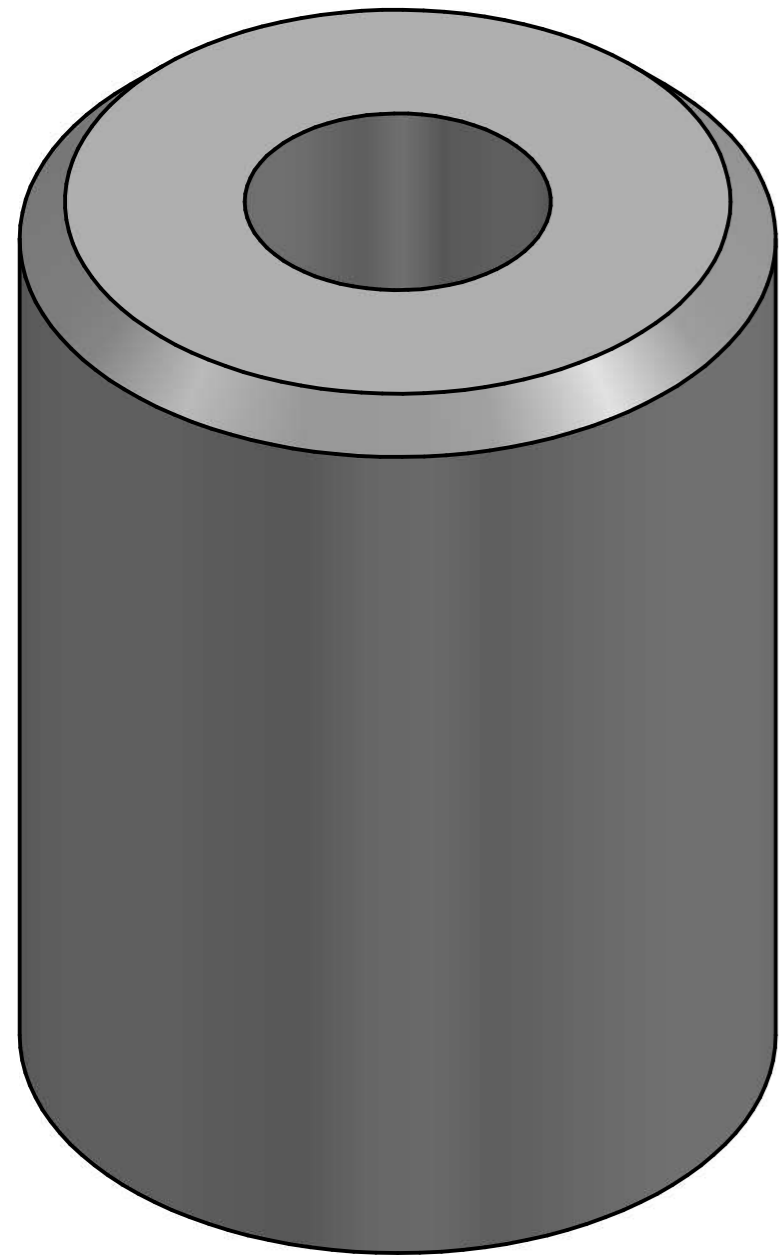
| REVISION HISTORY |             |      |          |
|------------------|-------------|------|----------|
| REV              | DESCRIPTION | DATE | APPROVED |
|                  |             |      |          |

| Item Number | File Name (no extension) | Author             | Quantity |
|-------------|--------------------------|--------------------|----------|
| 1           | Plunzr                   | Ing. Vojtech Liska | 1        |

▽ Ra 0,4 - 0,2

| NAME                                                                                               | DATE          | Solid Edge            |                      |
|----------------------------------------------------------------------------------------------------|---------------|-----------------------|----------------------|
| DRAWN                                                                                              | Ing. V. Liška | 12/02/19              |                      |
| CHECKED                                                                                            |               |                       |                      |
| ENG APPR                                                                                           |               |                       |                      |
| MGR APPR                                                                                           |               |                       |                      |
| UNLESS OTHERWISE SPECIFIED<br>DIMENSIONS ARE IN MILLIMETERS<br>ANGLES ±XX°<br>2 PL ±XXX 3 PL ±XXXX |               | SIZE<br>A2            | DWG NO<br>1          |
|                                                                                                    |               | FILE NAME: plunzr.dft | REV<br>1             |
|                                                                                                    |               | SCALE:                | WEIGHT: SHEET 1 OF 1 |

SOLID EDGE ACADEMIC COPY



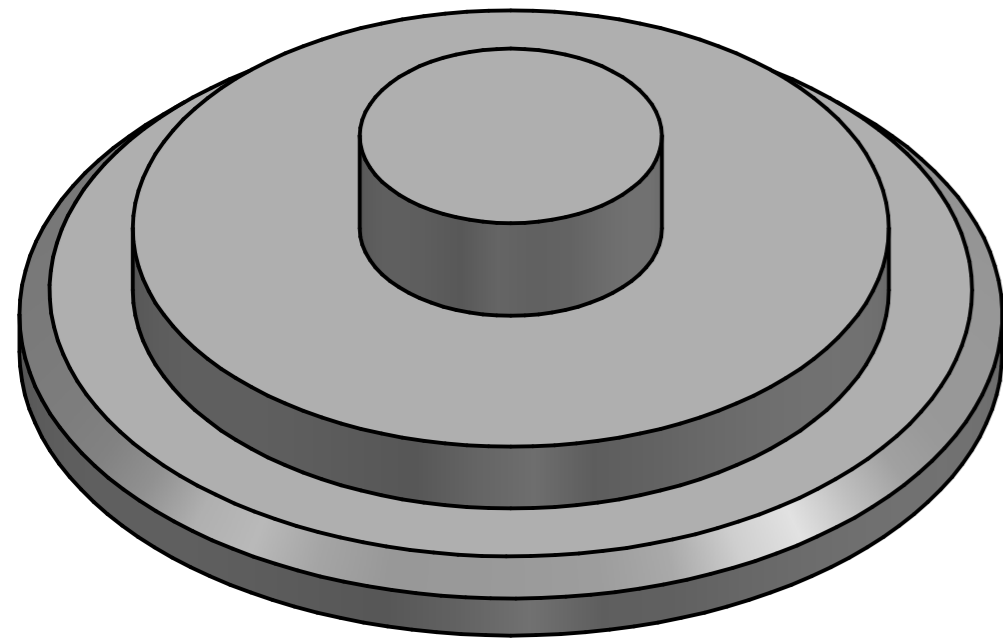
| REVISION HISTORY |             |      |          |
|------------------|-------------|------|----------|
| REV              | DESCRIPTION | DATE | APPROVED |
|                  |             |      |          |

| Item Number | File Name (no extension) | Author             | Quantity |
|-------------|--------------------------|--------------------|----------|
| 2           | Valec                    | Ing. Vojtech Liska | 1        |

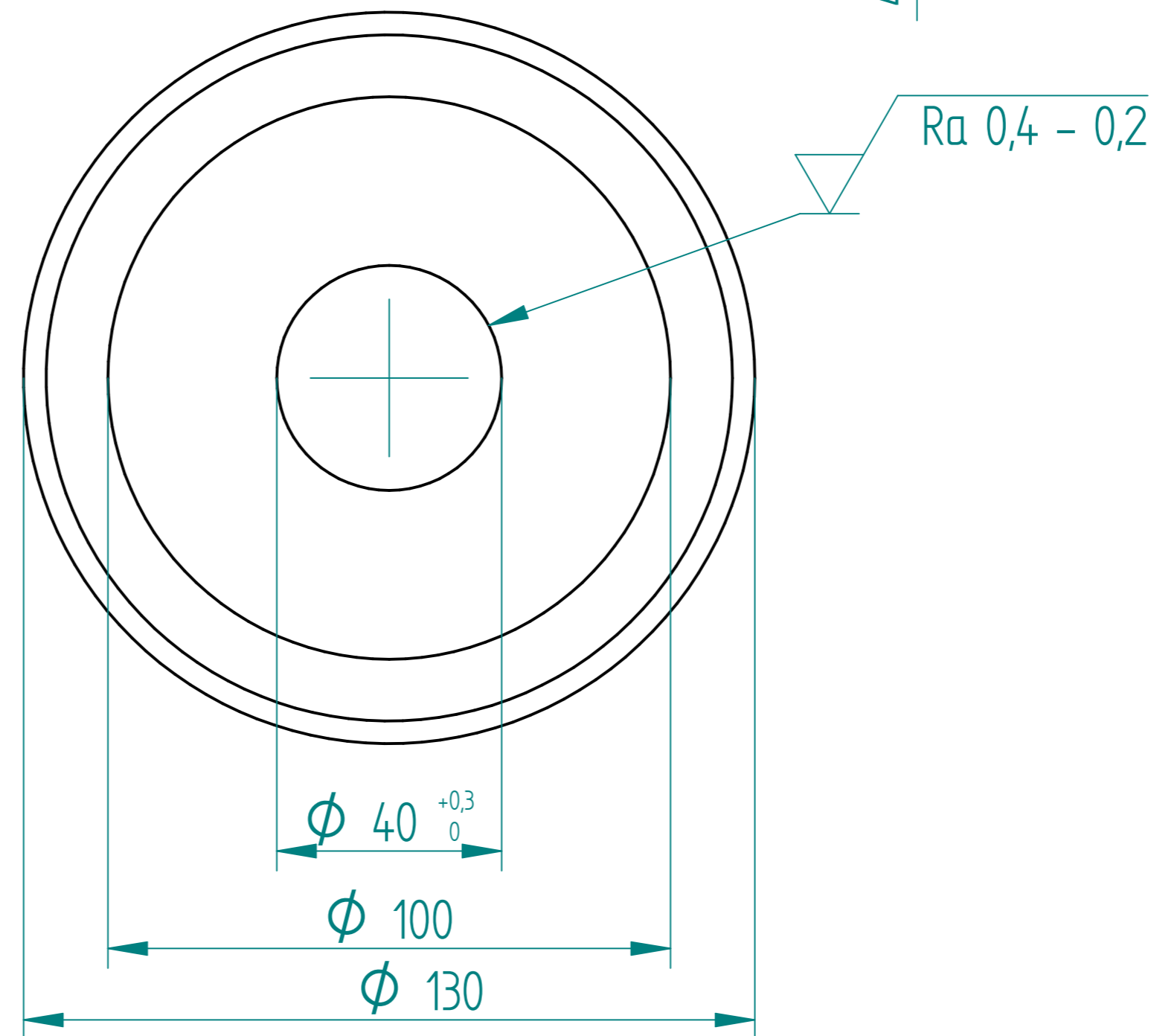
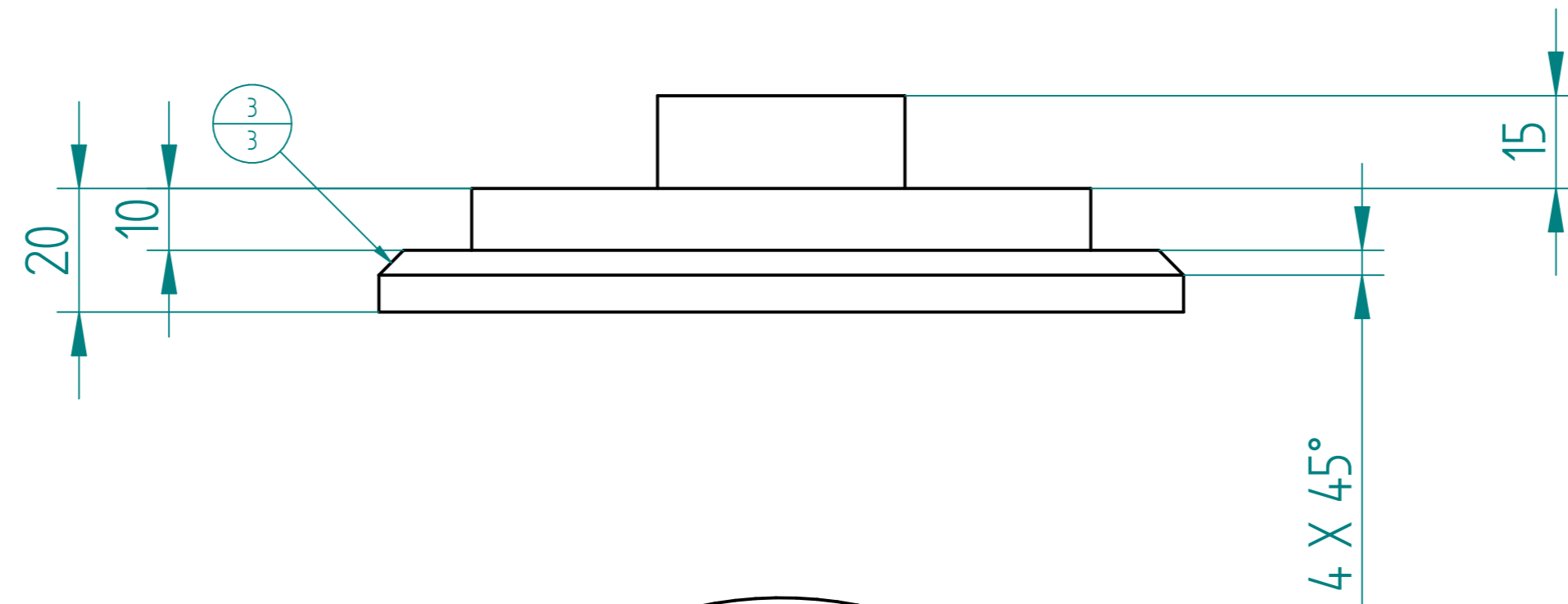
√ Ra 0,4 - 0,2

| NAME                | DATE     | Solid Edge                                                                                |              |
|---------------------|----------|-------------------------------------------------------------------------------------------|--------------|
| DRAWN Ing. V. Liška | 12/02/19 | TITLE Valec                                                                               |              |
| CHECKED             |          | SIZE A2                                                                                   | DWG NO 2     |
| ENG APPR            |          | SCALE:                                                                                    | WEIGHT:      |
| MGR APPR            |          | UNLESS OTHERWISE SPECIFIED DIMENSIONS ARE IN MILLIMETERS ANGLES ±XX° 2 PL ±XXX 3 PL ±XXXX | REV 1        |
|                     |          | FILE NAME: valec.dft                                                                      | SHEET 1 OF 1 |

SOLID EDGE ACADEMIC COPY



| REVISION HISTORY |             |      |          |
|------------------|-------------|------|----------|
| REV              | DESCRIPTION | DATE | APPROVED |
|                  |             |      |          |



| Item Number | File Name (no extension) | Author             | Quantity |
|-------------|--------------------------|--------------------|----------|
| 3           | Dno                      | Ing. Vojtech Liska | 1        |

✓ Ra 0,4 - 0,2

| NAME                | DATE     | Solid Edge                                                                                |              |
|---------------------|----------|-------------------------------------------------------------------------------------------|--------------|
| DRAWN Ing. V. Liška | 12/02/19 | TITLE Dno                                                                                 |              |
| CHECKED             |          | SIZE A2                                                                                   | DWG NO 3     |
| ENG APPR            |          | SCALE:                                                                                    | WEIGHT:      |
| MGR APPR            |          | UNLESS OTHERWISE SPECIFIED DIMENSIONS ARE IN MILLIMETERS ANGLES ±XX° 2 PL ±XXX 3 PL ±XXXX | REV 1        |
|                     |          | FILE NAME: dno.dft                                                                        | SHEET 1 OF 1 |

SOLID EDGE ACADEMIC COPY