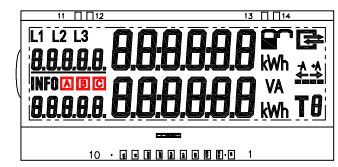
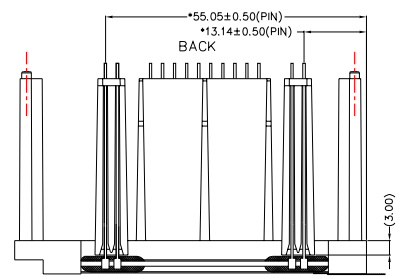
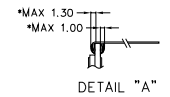
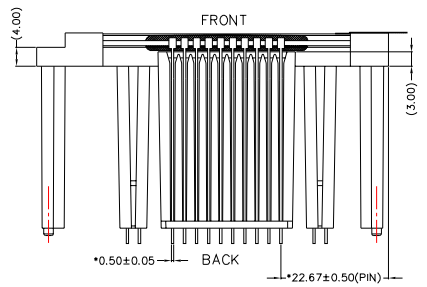
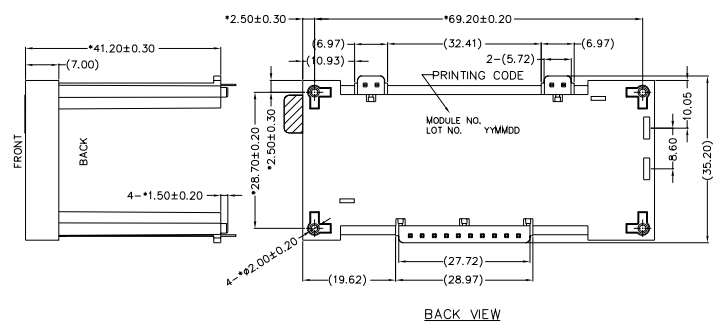
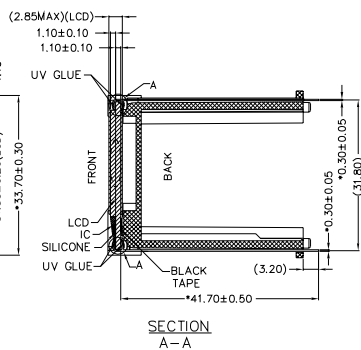
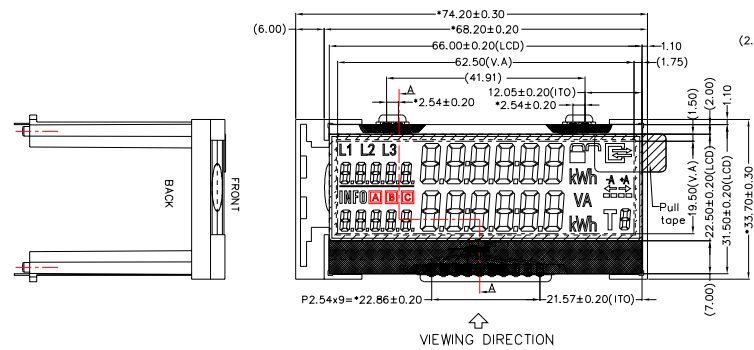


REV.	SYMBOL	DESCRIPTION	NAME	DATE
O		FIRST ISSUE	XIA.HONG	SEP-03-2018
A	△	MODIFY LCD PATTERN & LOGIC	XIA.HONG	SEP-06-2018



△ LCD DISPLAY EFFECT



LCD PIN INTERFACE

PIN	1	2	3	4	5	6	7	8	9	10	11-14
CONNECTION	VG	/RESB	/CSB	VSS	SDA	SCLK	VDD1	VDD2	VO	XVO	NC

ITEM	PARAMETERS	ITEM	PARAMETERS
DISPLAY TYPE	FSTN, POSITIVE	VIEWING DIRECTION	6 O'CLOCK
DRIVING METHOD	1/4DUTY, 1/3BIAS	OPERATING TEMPERATURE	-30°C TO +70°C
POLARIZER TYPE	REFLECTIVE	STORAGE TEMPERATURE	-35°C TO +80°C
LCD OPERATING VOLTAGE	4.0V(REF)	IC	ST7033
LOGIC VOLTAGE(VDD)	3.3V	BACKLIGHT	/
GRAYSCALE SUPPORT	NO	CONNECTOR	COG+PIN

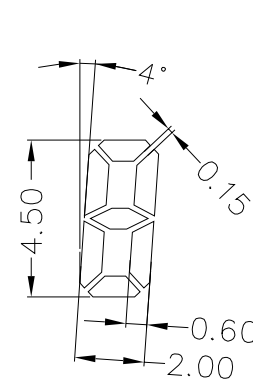
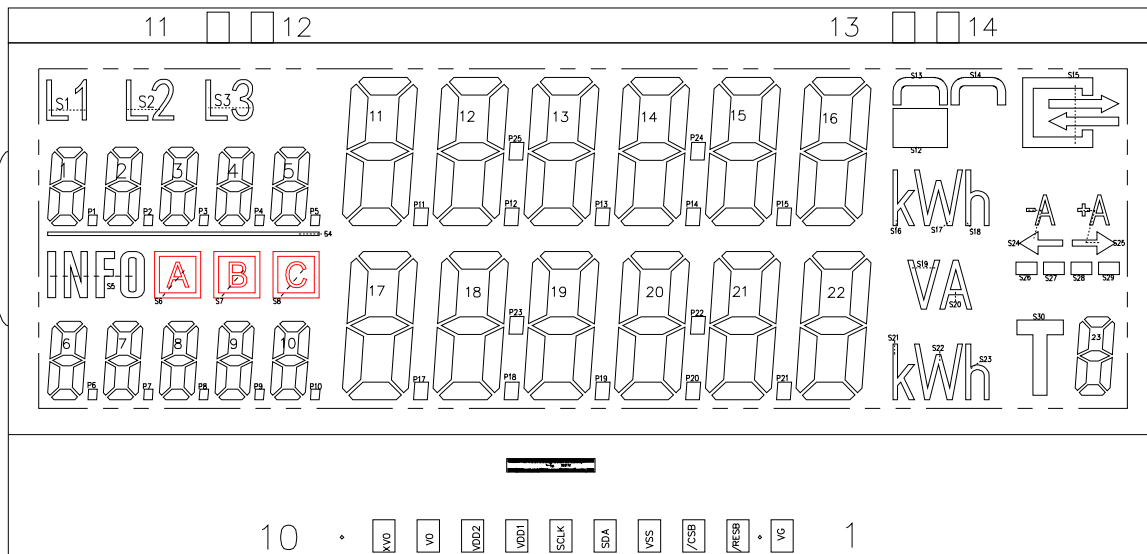
RoHS/REACH COMPLIANT	YES
UNMARKED TOLERANCE	±0.30
SCALE	FIT
UNIT	mm
SHEET	1 OF 3
REV.	A
TITLE	LCM
PART NO.	/
MODULE NO.	CGS215A02-FGN-R
CUSTOMER NO.	/



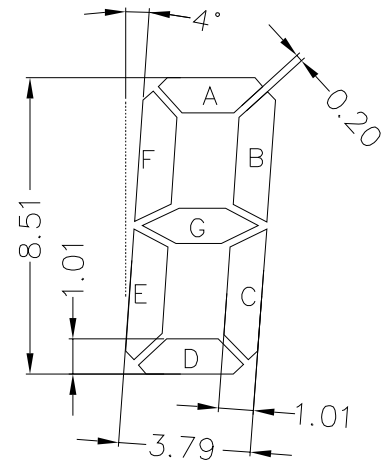
NAME	DATE
DRAWN Xia.Hong	SEP-06-2018
CHECKED Yan.Hui.Li	SEP-06-2018
APPROVED Bi.bo.Xiong	SEP-06-2018

MARK "*" ARE IMPORTANT DIMENSIONS, MARK "(" ARE REFERENCE DIMENSIONS, MARK "▲" ARE SPECIAL CHARACTERISTICS RELATED TO SAFETY, MARK "●" ARE SPECIAL CHARACTERISTICS IRRELEVANT TO SAFETY, MARK "●" ARE IMPORTANT CHARACTERISTICS EXCEPT FOR THE SPECIAL CHARACTERISTICS.

THIS DRAWING IS PROPERTY OF AV-DISPLAY CO. LIMITED, IT CANNOT BE REPRODUCED WITHOUT PERMISSION.



(1-10,23)
SCALE 2:1



(11-22)
SCALE 2:1

1 LCD LOGIC

1

PIN	SEG0	SEG1	SEG2	SEG3	SEG4	SEG5	SEG6	SEG7	SEG8	SEG9	SEG10	SEG11	SEG12	SEG13	SEG14	SEG15	SEG16	SEG17	SEG18	SEG19	SEG20
COM0	S1	5B	5A	4B	4A	3B	3A	2B	2A	1B	1A	S4	S5	6D	P6	7D	P7	8D	P8	9D	P9
COM1	S2	5G	5F	4G	4F	3G	3F	2G	2F	1G	1F	--	S6	6E	6C	7E	7C	8E	8C	9E	9C
COM2	S3	5C	5E	4C	4E	3C	3E	2C	2E	1C	1E	--	S7	6F	6G	7F	7G	8F	8G	9F	9G
COM3	--	P5	5D	P4	4D	P3	3D	P2	2D	P1	1D	--	S8	6A	6B	7A	7B	8A	8B	9A	9B

PIN	SEG21	SEG22	SEG23	SEG24	SEG25	SEG26	SEG27	SEG28	SEG29	SEG30	SEG31	SEG32	SEG33	SEG34	SEG35	SEG36	SEG37	SEG38	SEG39	SEG40	SEG41
COM0	10D	P10	17D	P17	18D	P18	P23	19D	P19	20D	P20	P22	21D	P21	22D	S21	S22	S23	S30	23D	23C
COM1	10E	10C	17E	17C	18E	18C	--	19E	19C	20E	20C	--	21E	21C	22E	22C	S19	S20	--	23E	23G
COM2	10F	10G	17F	17G	18F	18G	--	19F	19G	20F	20G	--	21F	21G	22F	22G	S17	S18	--	23F	23B
COM3	10A	10B	17A	17B	18A	18B	--	19A	19B	20A	20B	--	21A	21B	22A	22B	--	--	--	23A	--

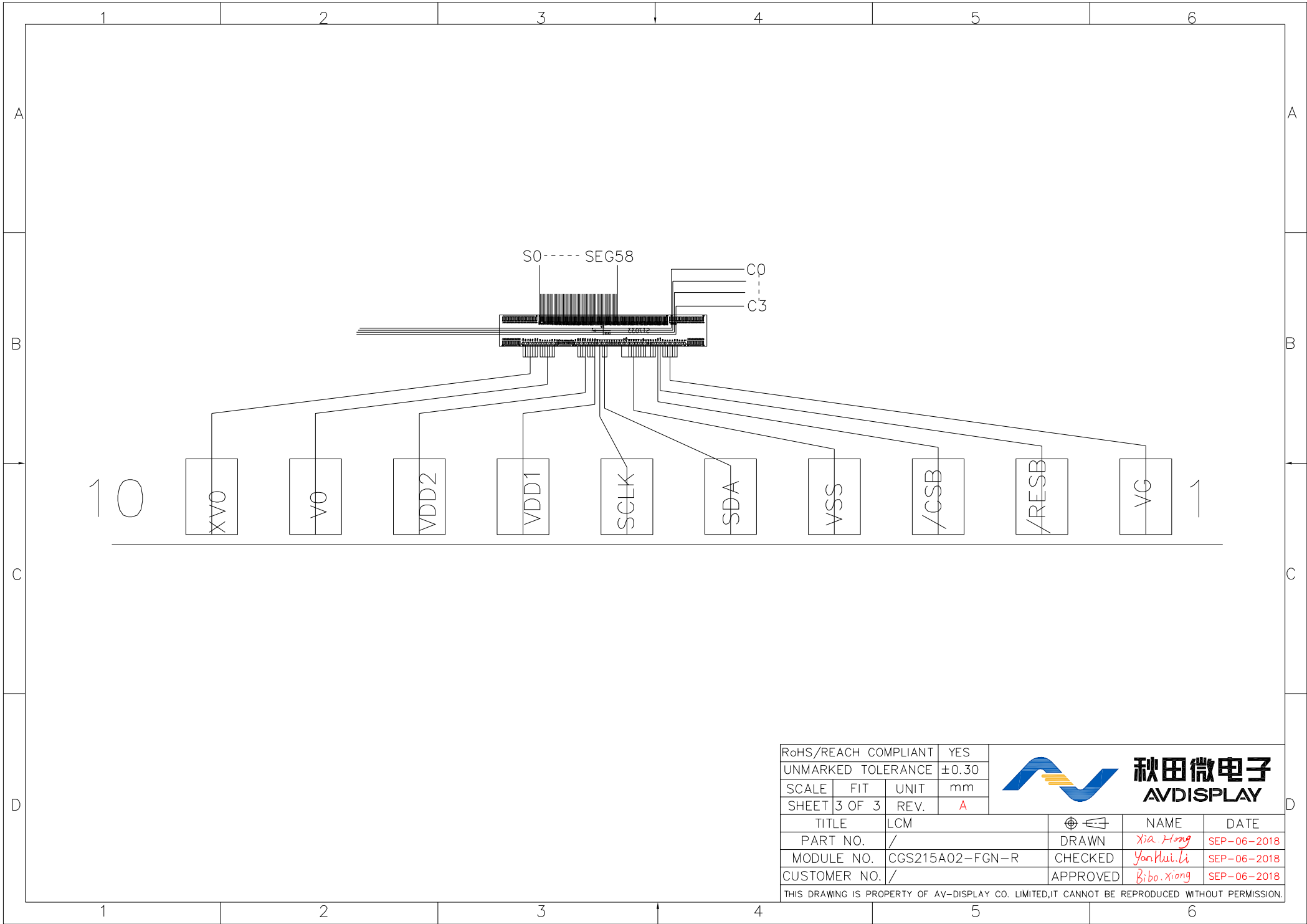
PIN	SEG42	SEG43	SEG44	SEG45	SEG46	SEG47	SEG48	SEG49	SEG50	SEG51	SEG52	SEG53	SEG54	SEG55	SEG56	SEG57	SEG58
COM0	S29	S25	S15	16B	16A	15B	15A	P24	14B	14A	13B	13A	P25	12B	12A	11B	11A
COM1	S28	S24	S14	16G	16F	15G	15F	--	14G	14F	13G	13F	--	12G	12F	11G	11F
COM2	S27	--	S13	16C	16E	15C	15E	--	14C	14E	13C	13E	--	12C	12E	11C	11E
COM3	S26	--	S12	S16	16D	P15	15D	--	P14	14D	P13	13D	--	P12	12D	P11	11D

RoHS/REACH COMPLIANT	YES
UNMARKED TOLERANCE	±0.30
SCALE	FIT
UNIT	mm
SHEET 2 OF 3	REV. A



TITLE	LCM	NAME	DATE
PART NO.	/	DRAWN	Xia.Hong SEP-06-2018
MODULE NO.	CGS215A02-FGN-R	CHECKED	Yan.Hui.Li SEP-06-2018
CUSTOMER NO.	/	APPROVED	BiBo.Xiong SEP-06-2018

THIS DRAWING IS PROPERTY OF AV-DISPLAY CO. LIMITED,IT CANNOT BE REPRODUCED WITHOUT PERMISSION.



RoHS/REACH COMPLIANT	YES
UNMARKED TOLERANCE	±0.30
SCALE	FIT
UNIT	mm
SHEET 3 OF 3	REV. A



秋田微电子
AVDISPLAY

TITLE	LCM	NAME	DATE
PART NO.	/	DRAWN	Xia.Hong SEP-06-2018
MODULE NO.	CGS215A02-FGN-R	CHECKED	Yan.Hui.Li SEP-06-2018
CUSTOMER NO.	/	APPROVED	Bibo.Xiong SEP-06-2018

THIS DRAWING IS PROPERTY OF AV-DISPLAY CO. LIMITED,IT CANNOT BE REPRODUCED WITHOUT PERMISSION.