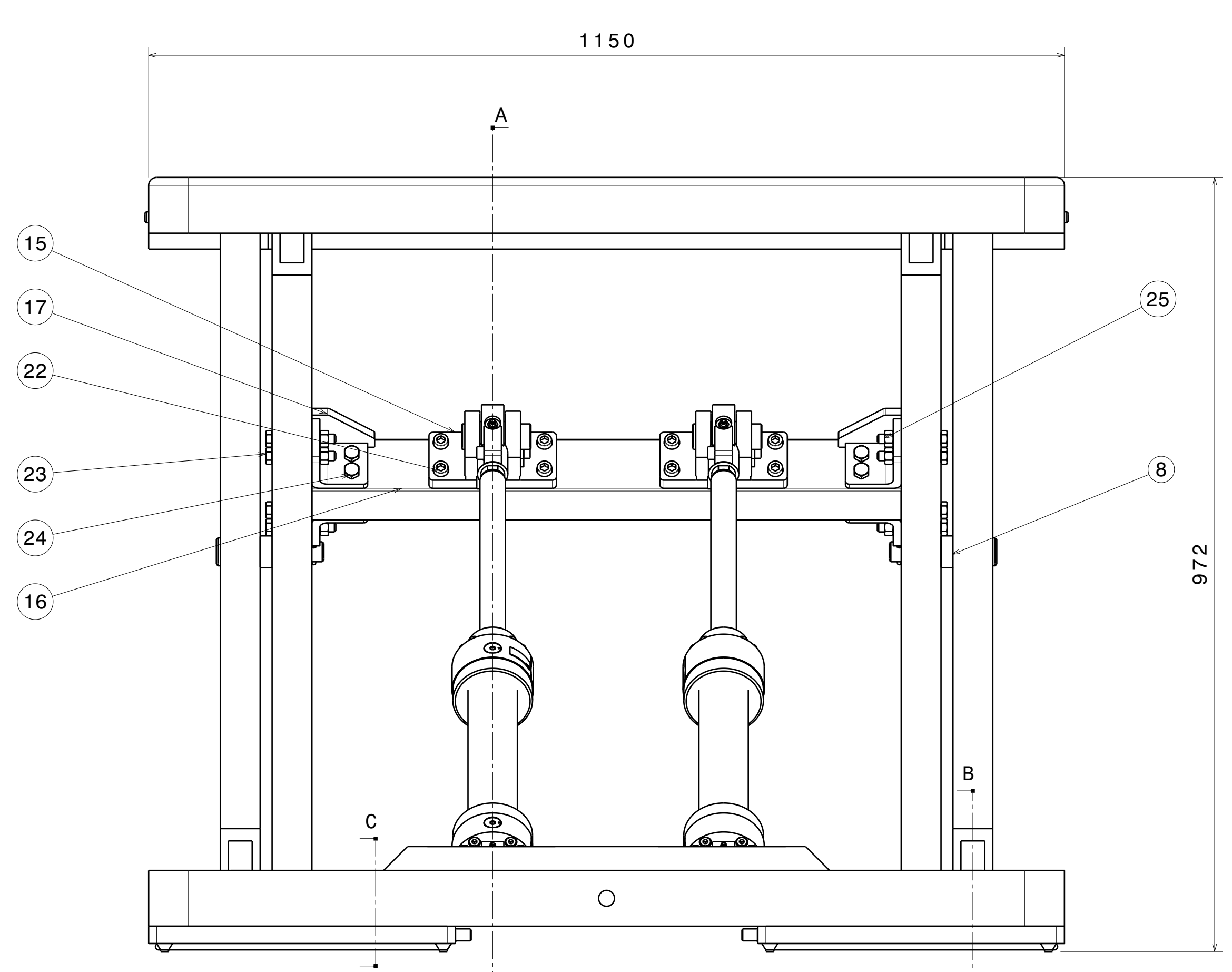
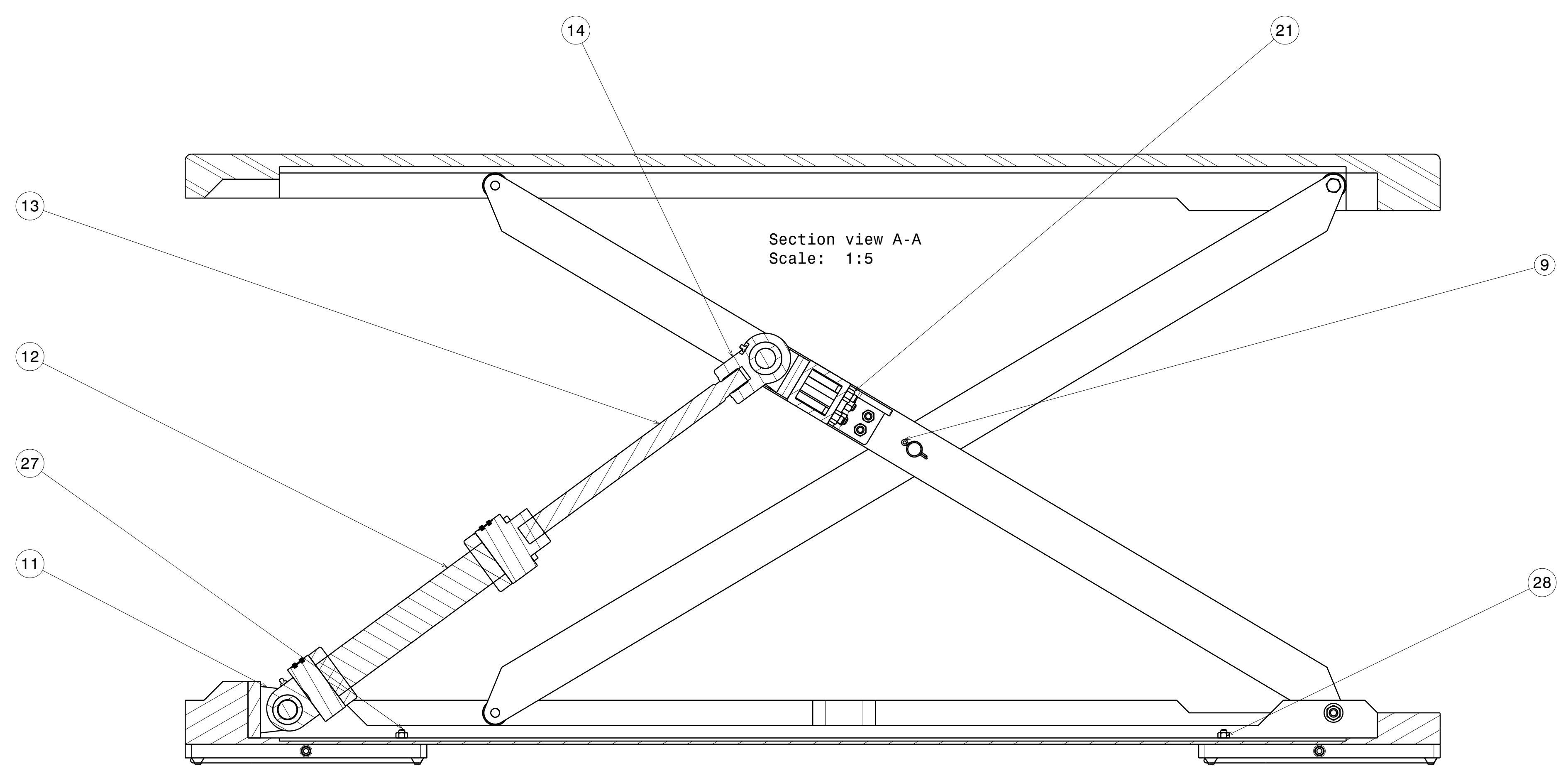


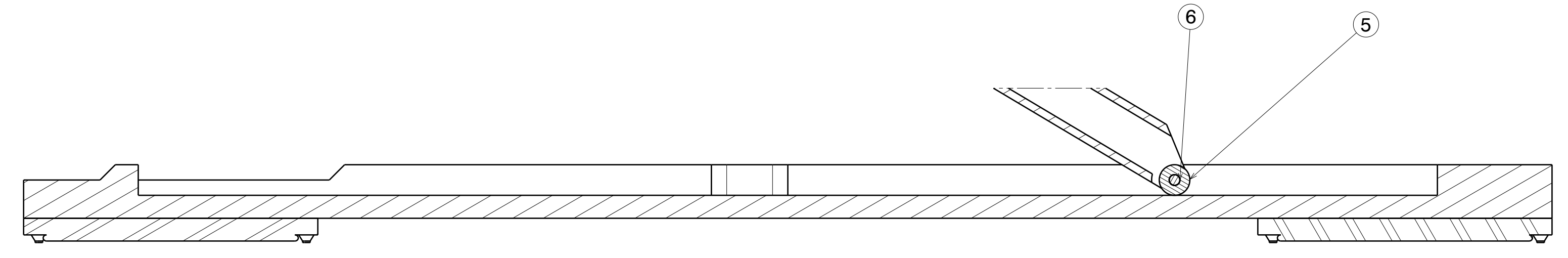
Front view
Scale: 1:5



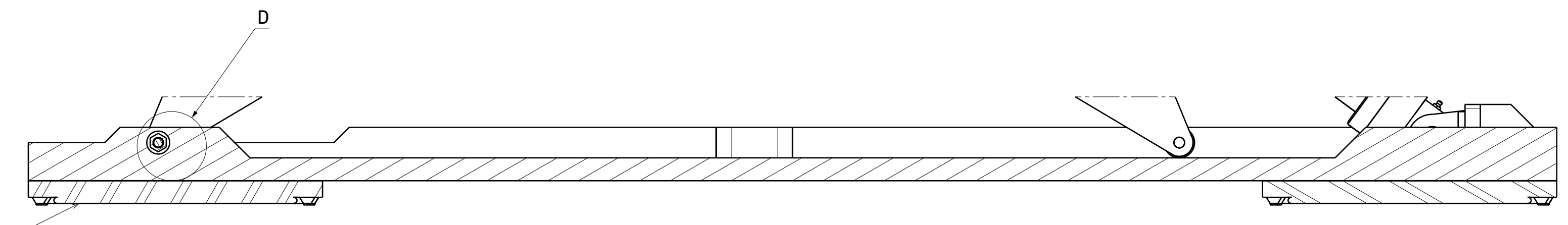
Left view
Scale: 1:5



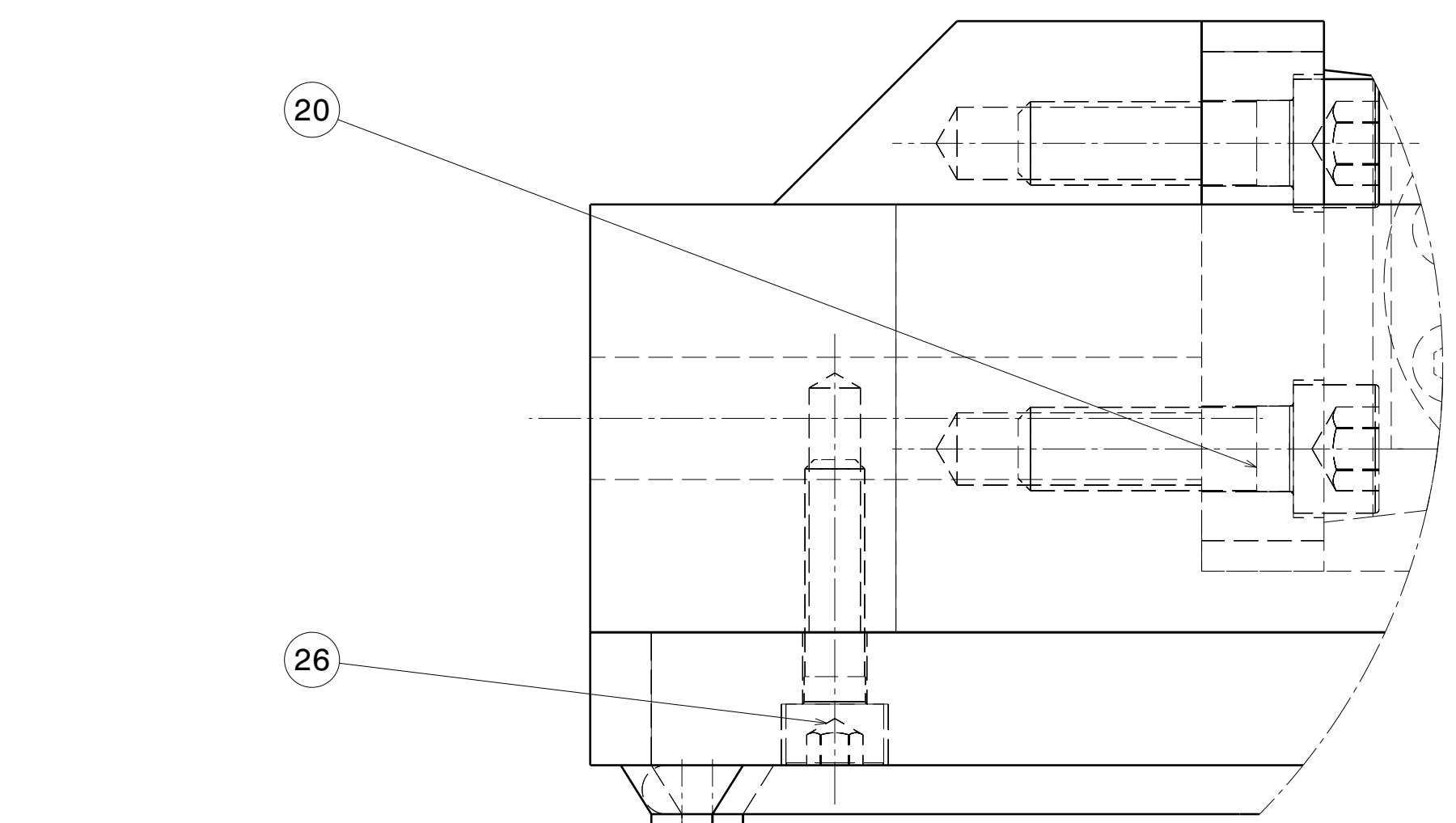
Section view A-A
Scale: 1:5



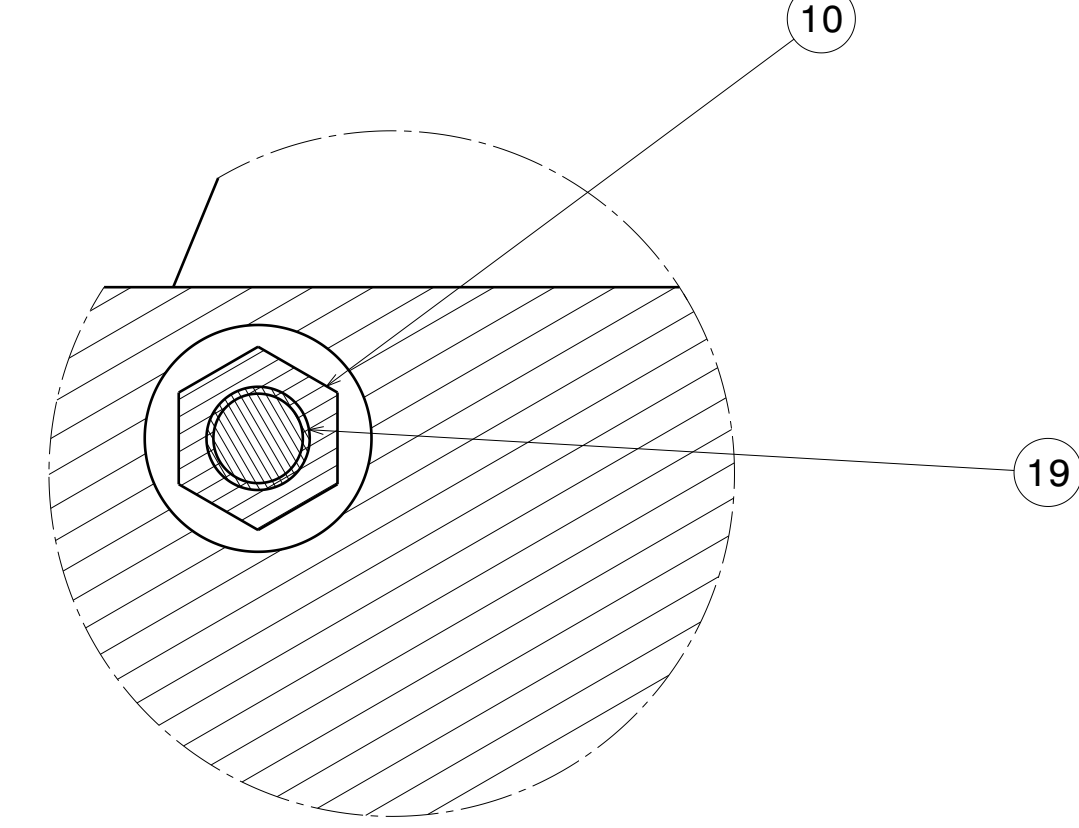
Section view B-B
Scale: 1:5



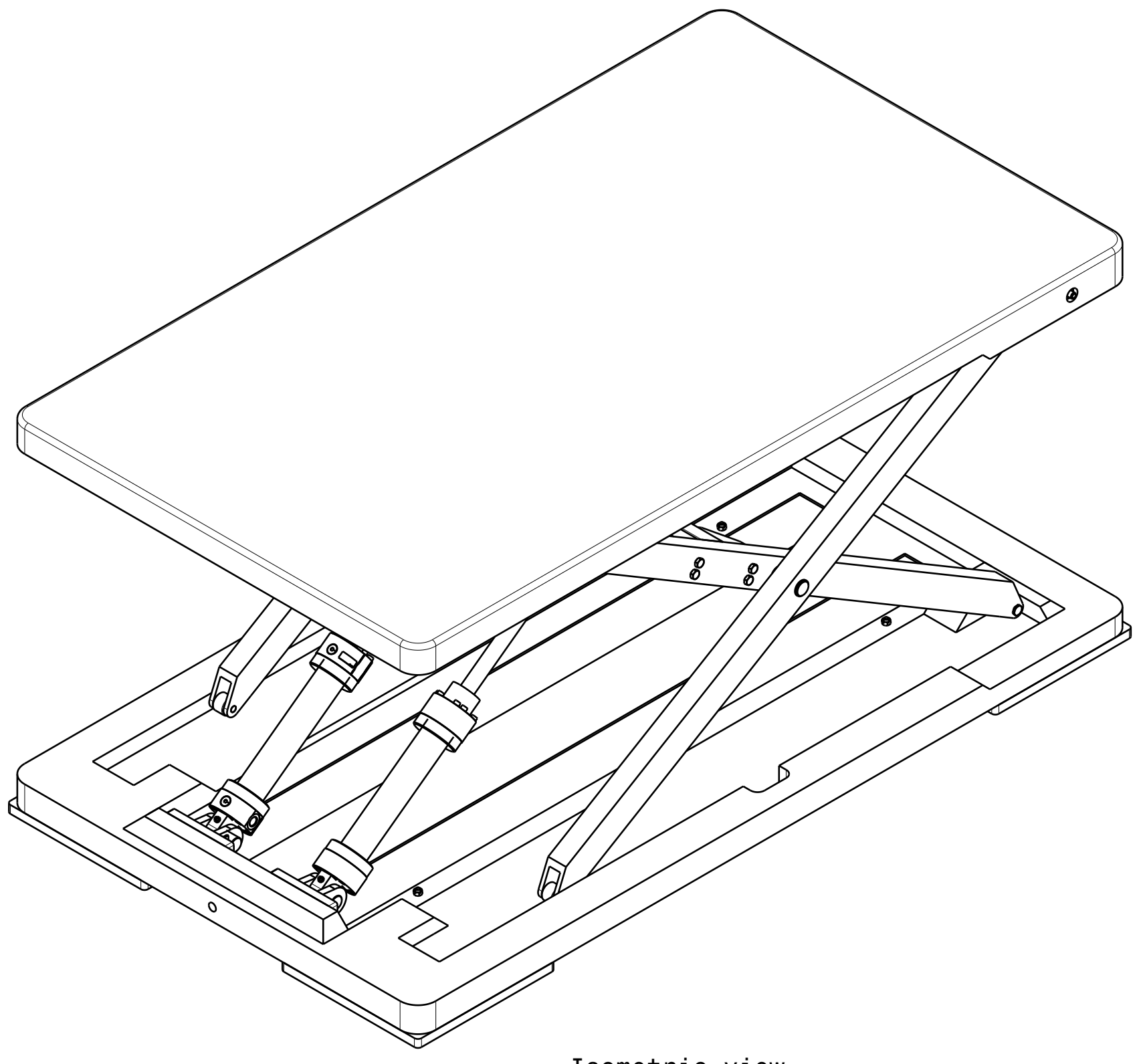
Section view C-C
Scale: 1:5



Detail E
Scale: 1:1



Detail D
Scale: 1:1



Isometric view
Scale: 1:10

Bill of Material: KSAVSTA0100			
Number	Part Number	Name	Quantity
1	KSAVSTA0101	Jack Base	1
2	KSAVSTA0102	Jack Lifting Platform	1
3	KSAVSTA0103	Pivoted Cross Member	2
4	KSAVSTA0104	Slider Cross Member	2
5	KSAVSTA0105	Roller Wheels	8
6	KSAVSTA0106	Roller Pin	4
7	KSAVSTA0107	ISO 2341 CLEVIS PIN 25x130 STEEL WITH HEAD TYPE B WITH SPLIT PIN HOLE	2
8	KSAVSTA0108	Cross Member Mid Pivot Washer	2
9	KSAVSTA0109	Split Pin roc-8080-510	2
10	KSAVSTA0110	ISO 4032 NUT M14 STEEL GRADE A HEXAGON NONPREFERRED	4
11	KSAVSTA0111	CLCD 32 195103214	2
12	KSAVSTA0112	CDH1MP3_50_28_300A3X_Cylinder	2
13	KSAVSTA0113	CDH1MP3_50_28_300A3X_Piston	2
14	KSAVSTA0114	CGKD32_193349798	2
15	KSAVSTA0115	CLCA 32_193045816	2
16	KSAVSTA0116	Connecting Member Push Bar	1
17	KSAVSTA0117	Cross-member Connector	4
18	KSAVSTA0118	Air Cushion	4
19	KSAVSTA0119	ISO 4014 BOLT M14x140 HEXAGON	4
20	KSAVSTA0120	ISO 4762 SCREW M14x45 STEEL HEXAGON SOCKET HEAD CAP NON PREFERRED	8
21	KSAVSTA0121	ISO 4034 NUT M12 STEEL GRADE C HEXAGON HEAD	8
22	KSAVSTA0122	ISO 4762 SCREW M12x110 STEEL HEXAGON SOCKET HEAD CAP	8
23	KSAVSTA0123	ISO 4014 BOLT M12x110 STEEL GRADE A HEXAGON HEAD	4
24	KSAVSTA0124	ISO 4014 BOLT M12x80 STEEL GRADE A HEXAGON HEAD	8
25	KSAVSTA0125	ISO 4032 NUT M12 STEEL GRADE A HEXAGON	12
26	KSAVSTA0126	ISO 4762 SCREW M10x40 STEEL HEXAGON SOCKET HEAD CAP	12
27	KSAVSTA0127	ISO 4762 SCREW M10x35 STEEL HEXAGON SOCKET HEAD CAP	4
28	KSAVSTA0128	ISO 4032 NUT M10 STEEL GRADE A HEXAGON	4

This drawing is our property. It can't be reproduced or communicated without our written agreement.

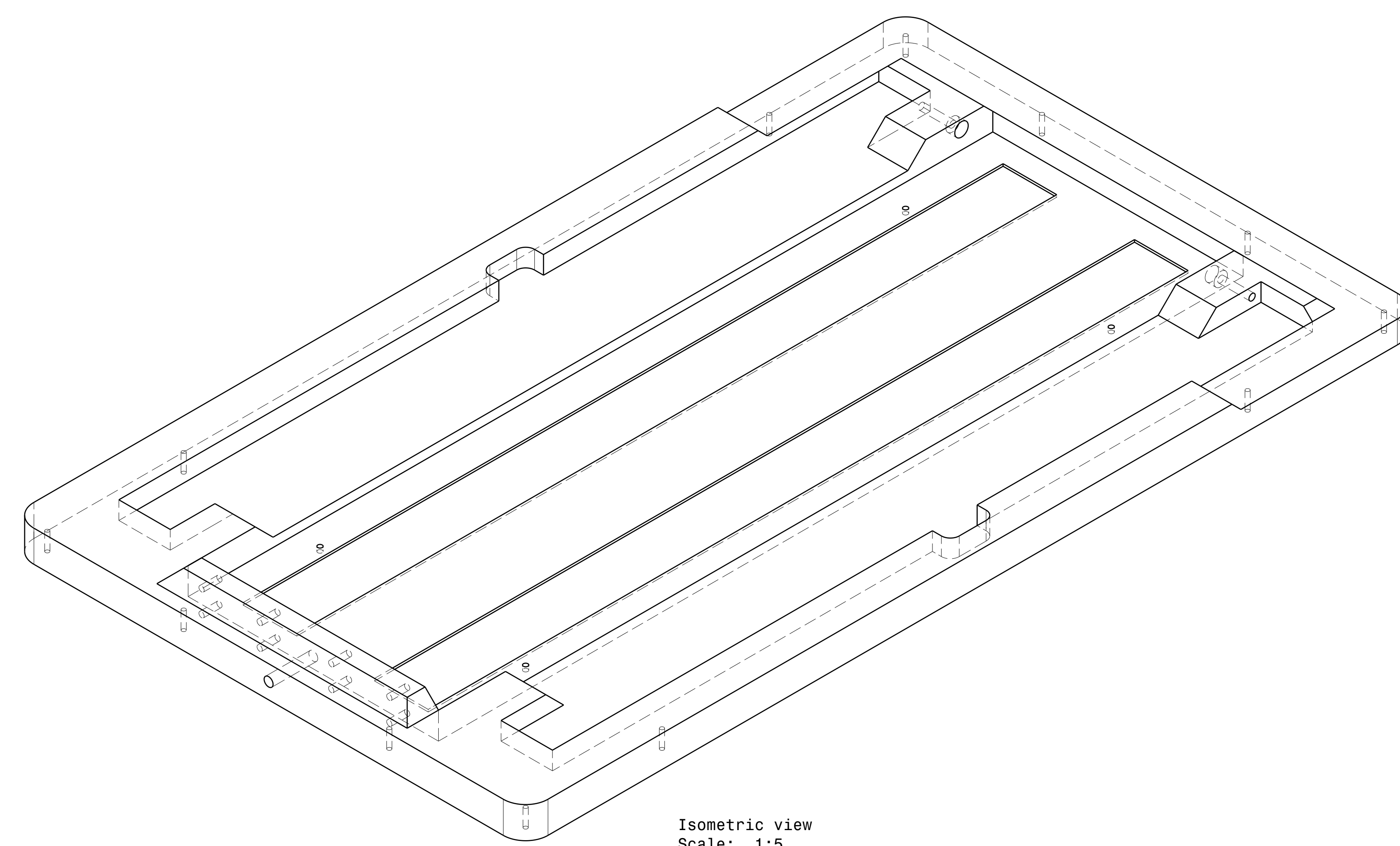
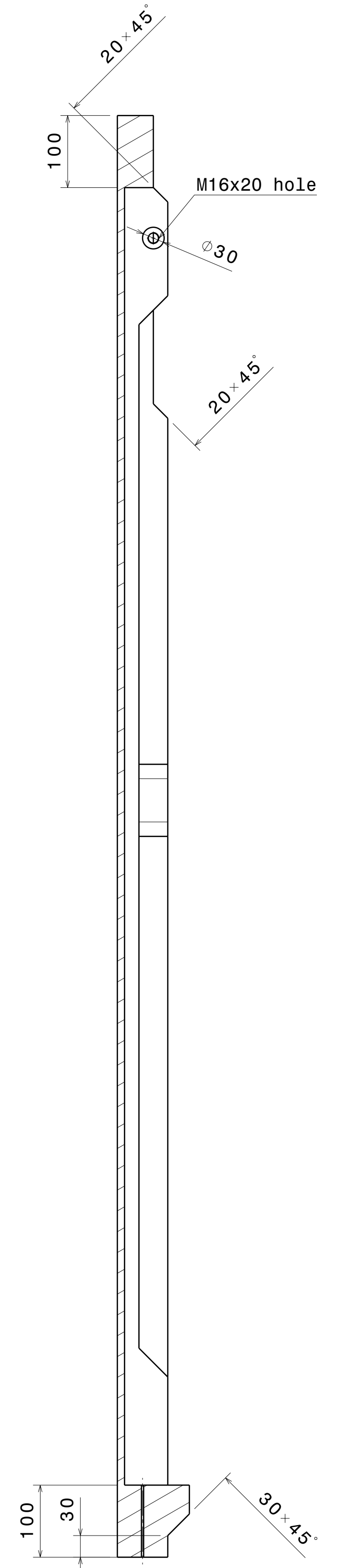
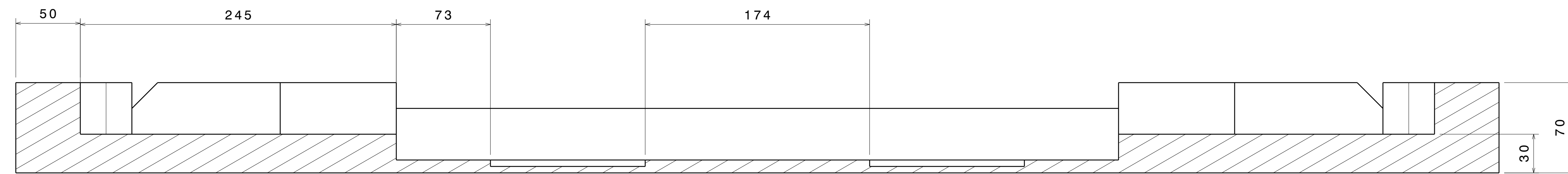
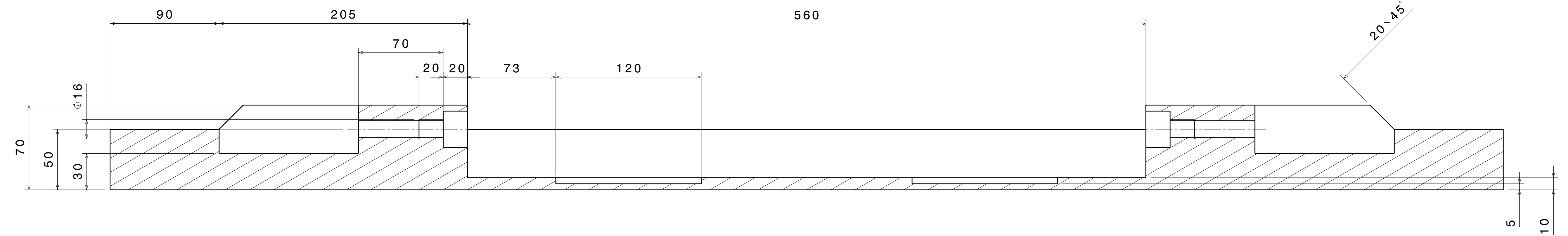
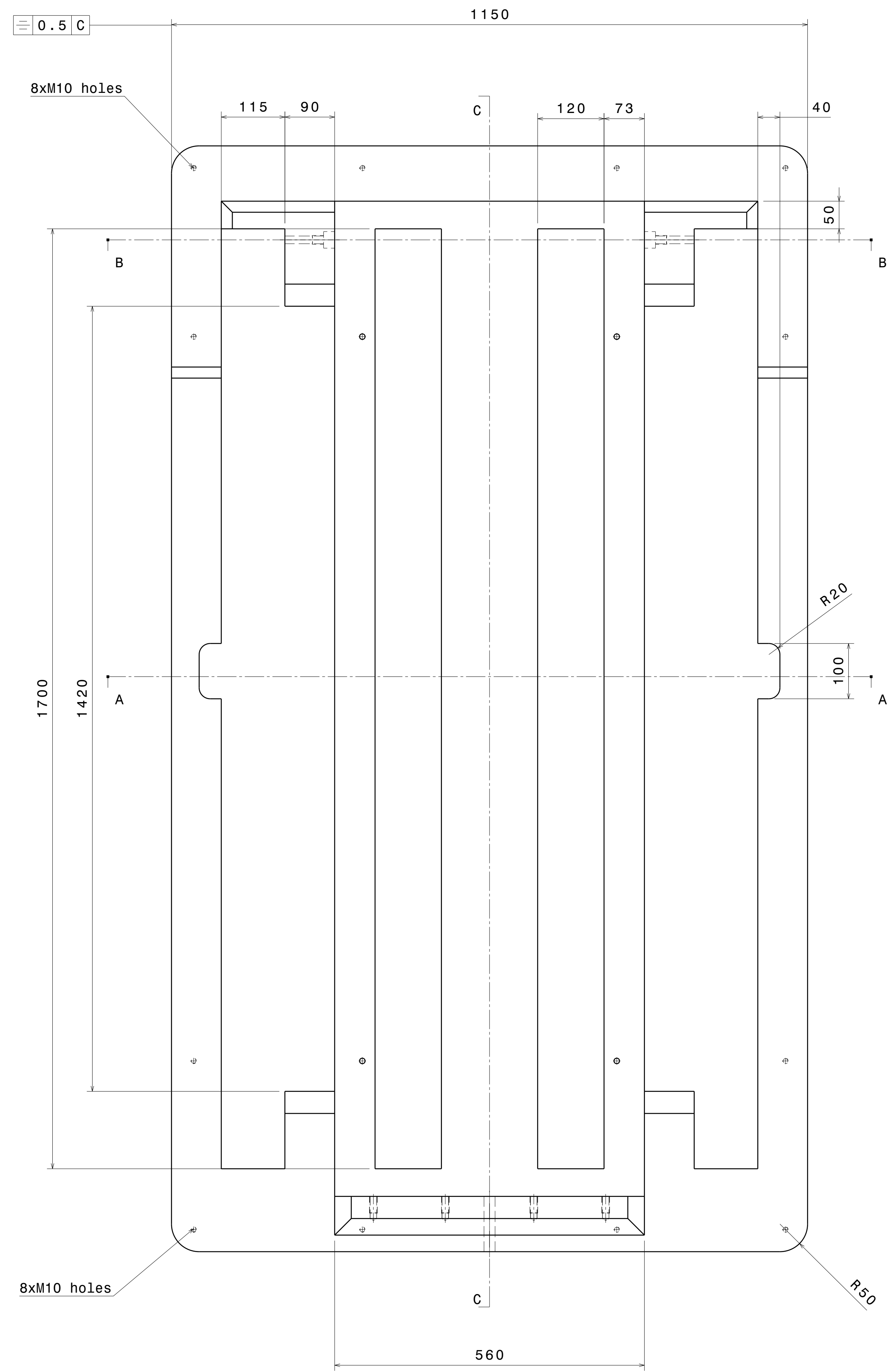
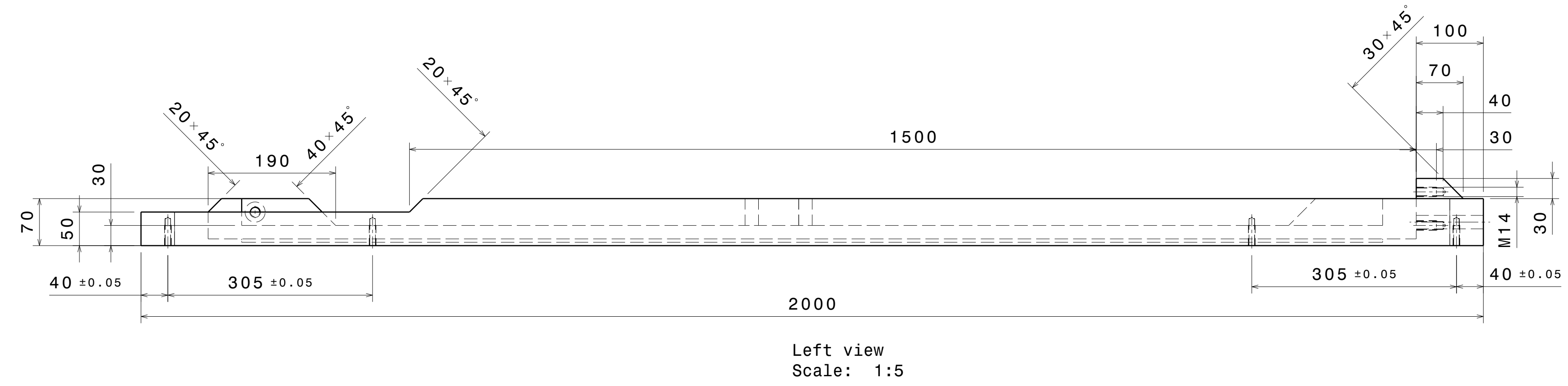
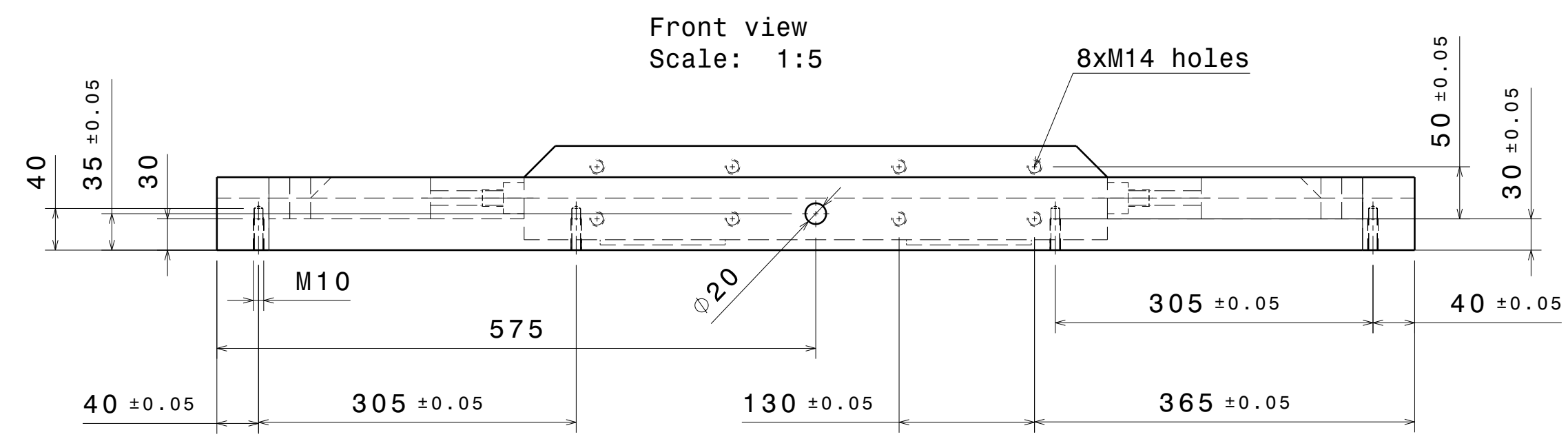
Design of Mobile Jack for Lifting Clay Model of Cars

DRAWING TITLE: Mobile Automotive Jack

DRAWN BY: Venkatesh S
 CHECKED BY: Ing. Petr Zelený
 DESIGNED BY: Venkatesh S

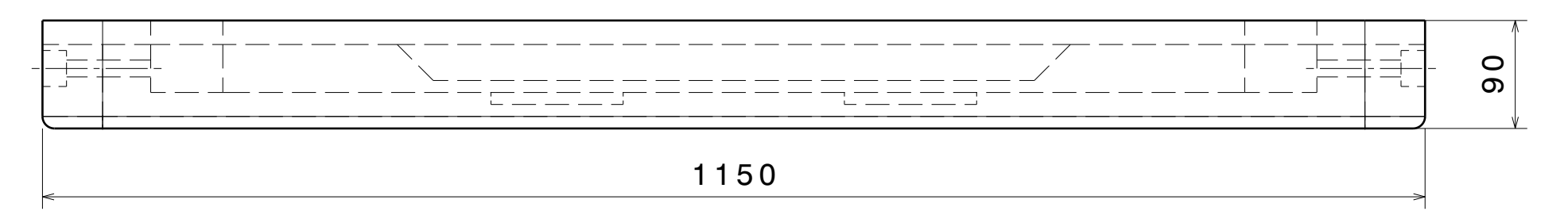
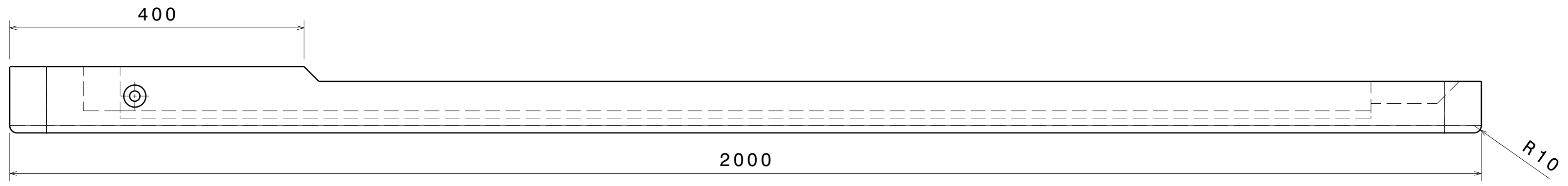
SIZE: A0
 DRAWING NUMBER: 0-KSA-VSTA-01-00
 SCALE: 1:5 WEIGHT(kg): 670

REV: 1
 SHEET: 1

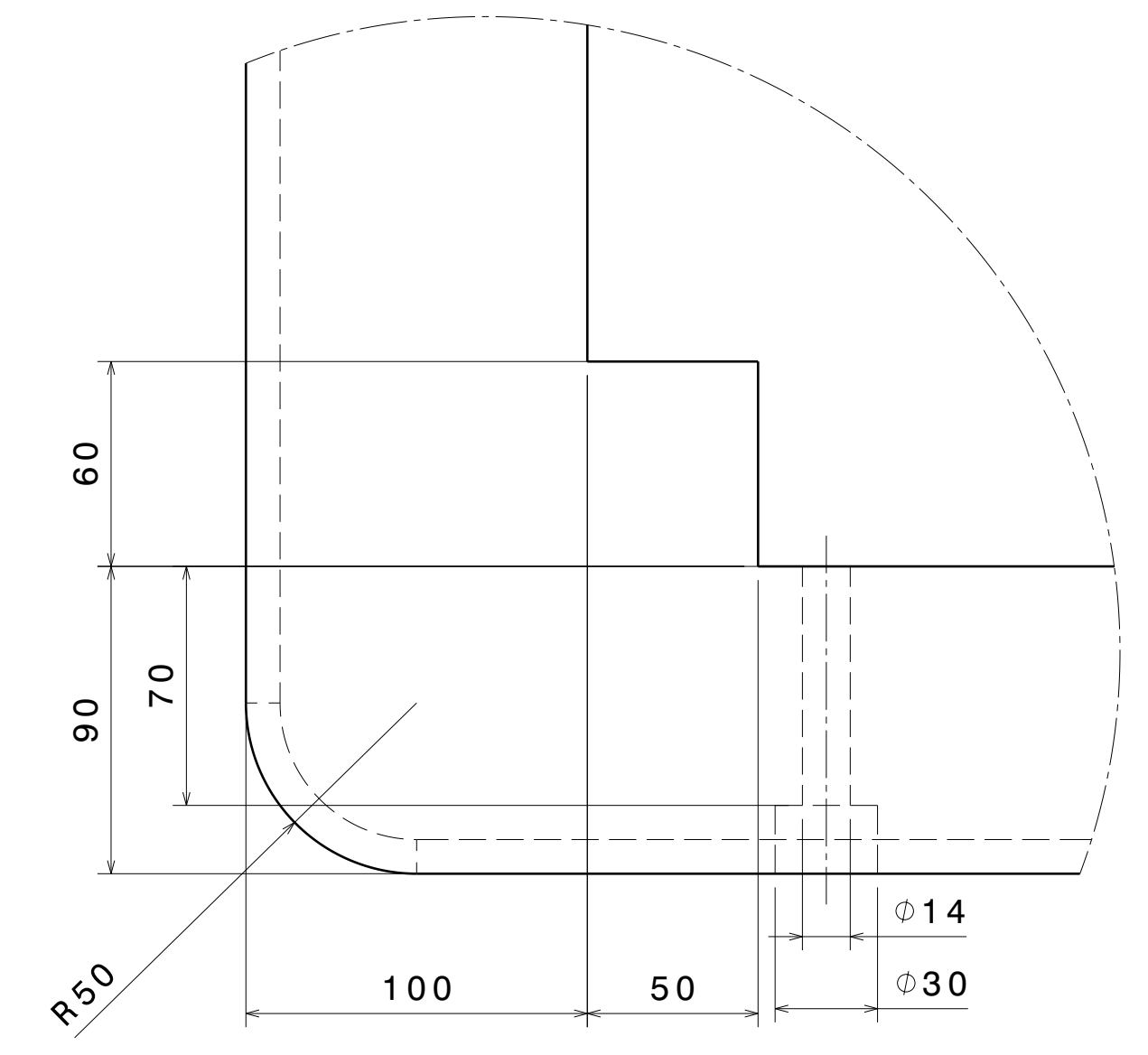


This drawing is our property. It can't be reproduced or communicated without our written agreement.		Design of Mobile Jack for Lifting Clay Model of Cars	
DRAWN BY Venkatesh S		DRAWING TITLE Jack Base	
CHECKED BY Ing. Petr Zelený	SIZE A0	DRAWING NUMBER 0-KSA-VSTA-01-01	REV
DESIGNED BY Venkatesh S	SCALE 1:5	WEIGHT(kg) 187	SHEET 2

Front view
Scale: 1:5

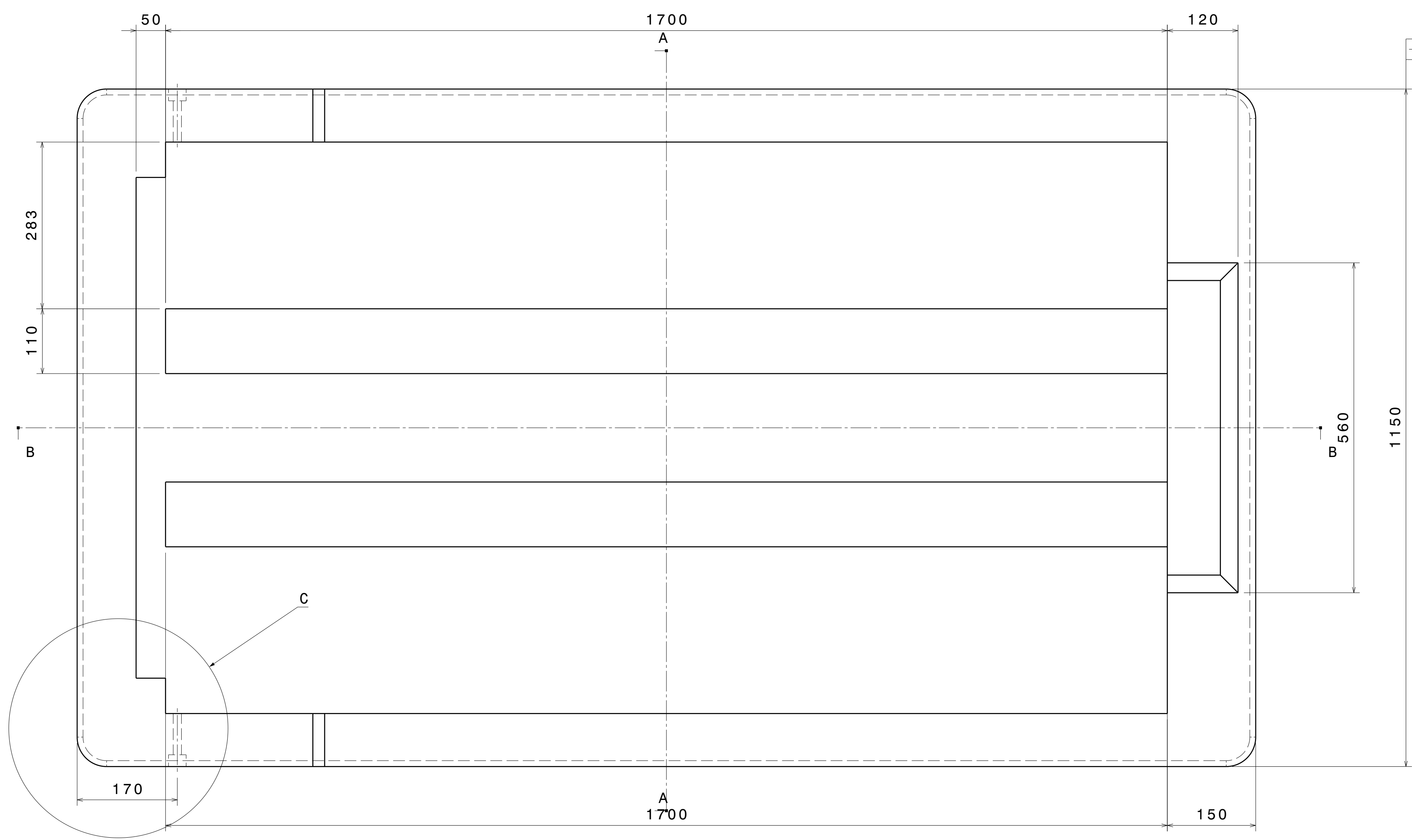


Left view
Scale: 1:5

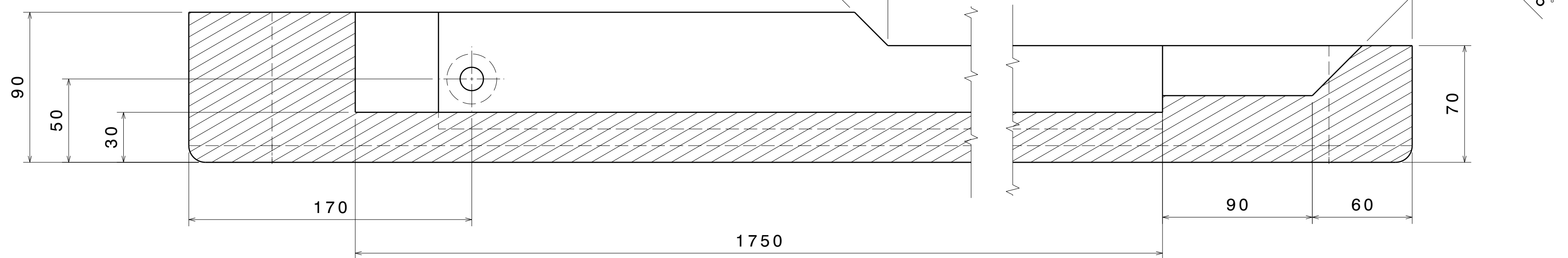


Detail C
Scale: 1:2

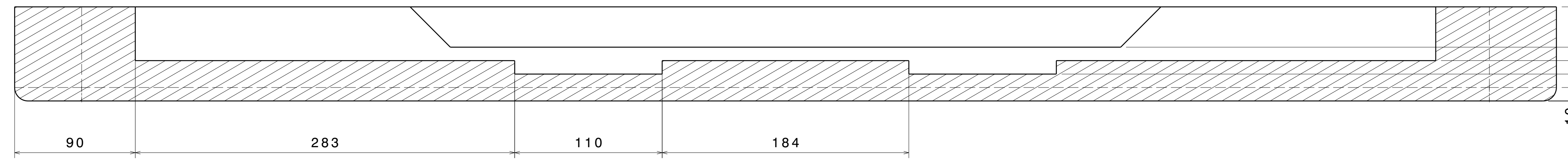
0.5 B



Top view
Scale: 1:5



Section view B-B
Scale: 1:2



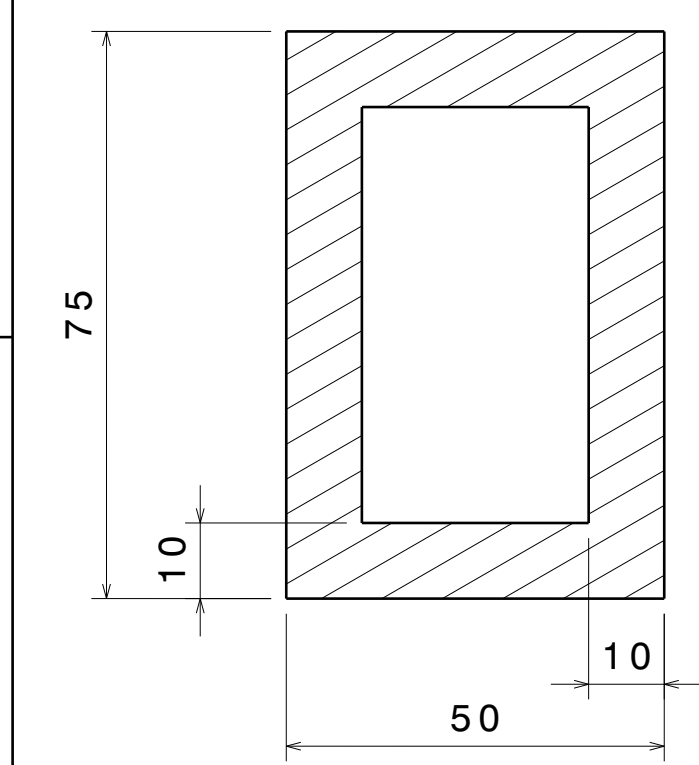
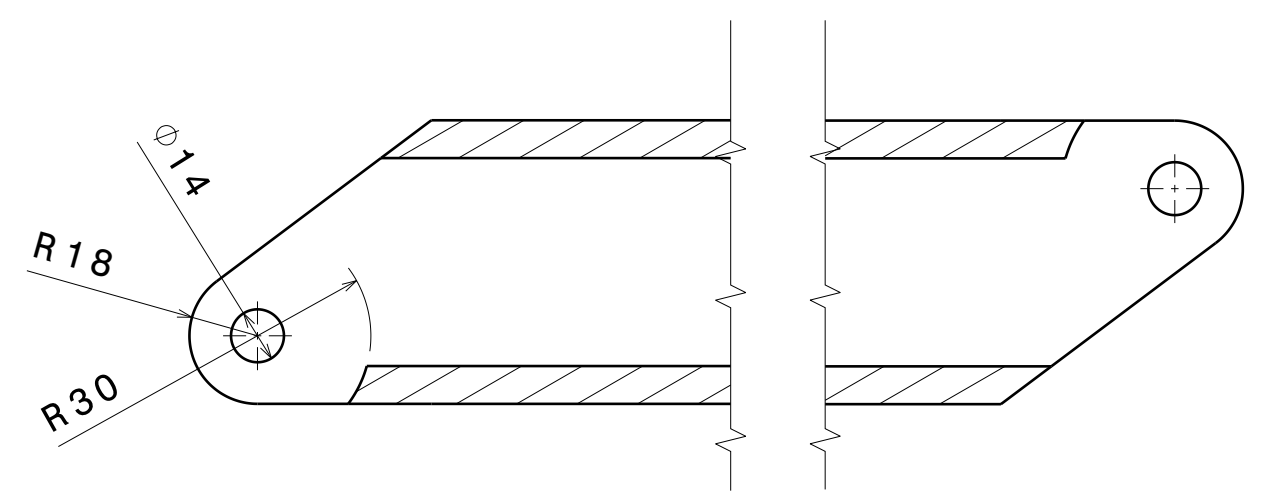
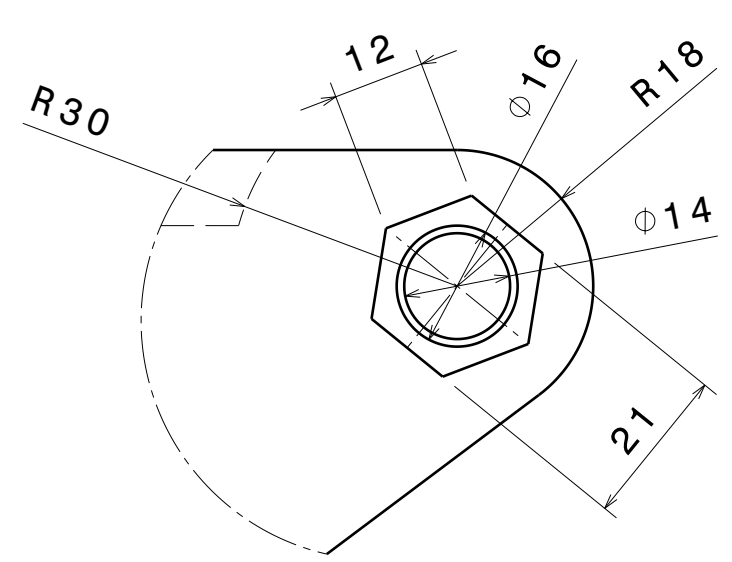
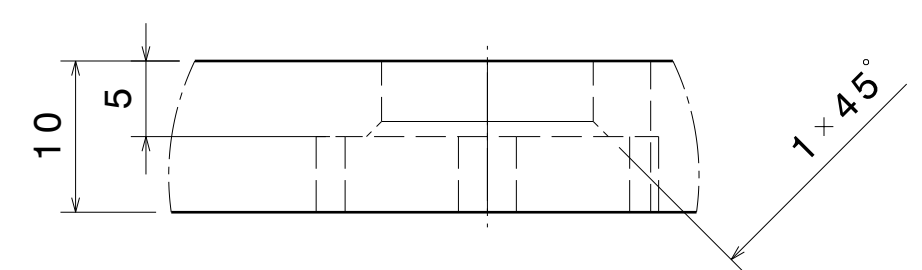
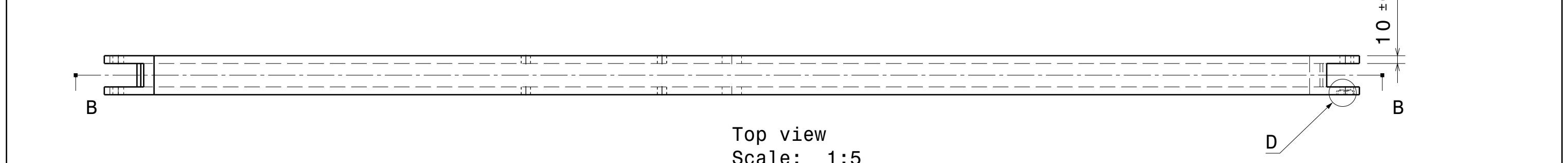
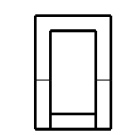
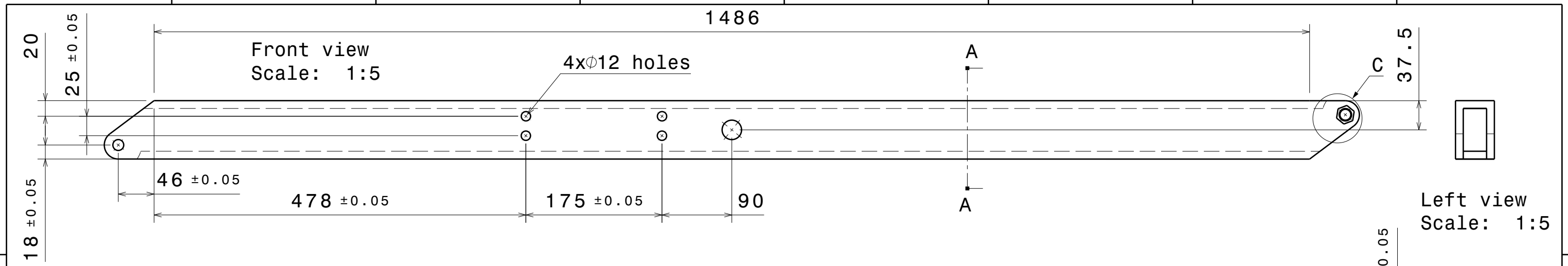
Section view A-A
Angle 90°
Scale: 1:2

This drawing is our property. It can't be reproduced or communicated without our written agreement.

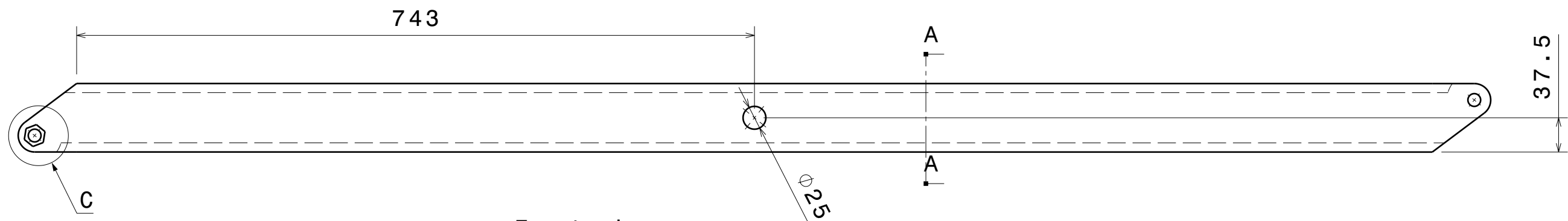
Design of Mobile Jack for Lifting Clay Model of Cars

DRAWN BY
Venkatesh S
CHECKED BY
Ing. Petr Zelený
DESIGNED BY
Venkatesh S

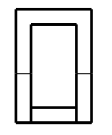
DRAWING TITLE			REV
Jack Lifting Platform			
SIZE	DRAWING NUMBER	REV	
A1	1-KSA-VSTA-01-02		
SCALE	WEIGHT(kg)	SHEET	
1:5	247	3	



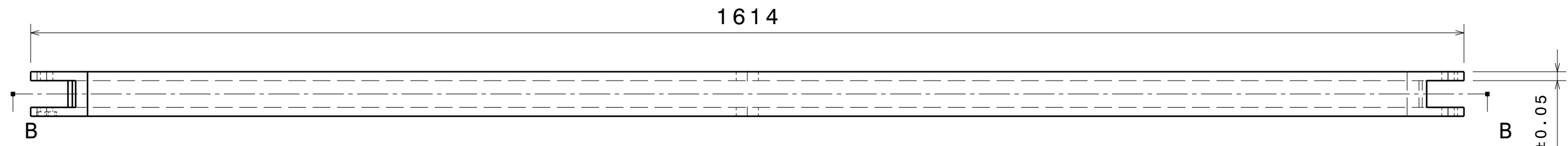
This drawing is our property. It can't be reproduced or communicated without our written agreement.		Design of Mobile Jack for Lifting Clay Model of Cars			
DRAWN BY Venkatesh S		DRAWING TITLE Pivoted Cross Member			
CHECKED BY Ing. Petr Zelený		SIZE A3	DRAWING NUMBER 3-KSA-VSTA-01-03		REV
DESIGNED BY Venkatesh S		SCALE 1:5	WEIGHT (kg) 25	SHEET 4	



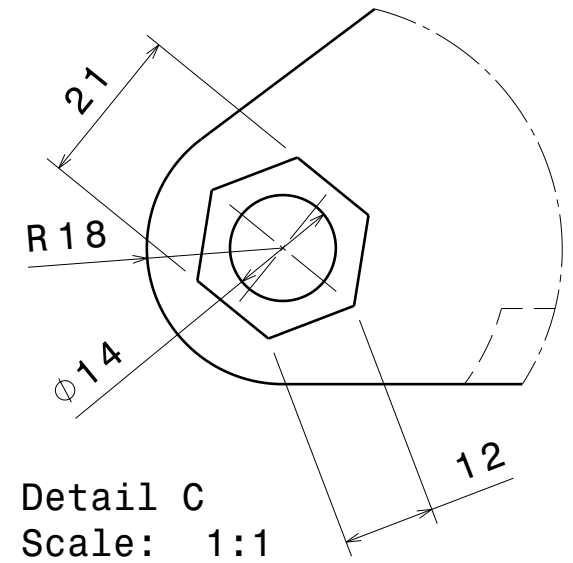
Front view
Scale: 1:5



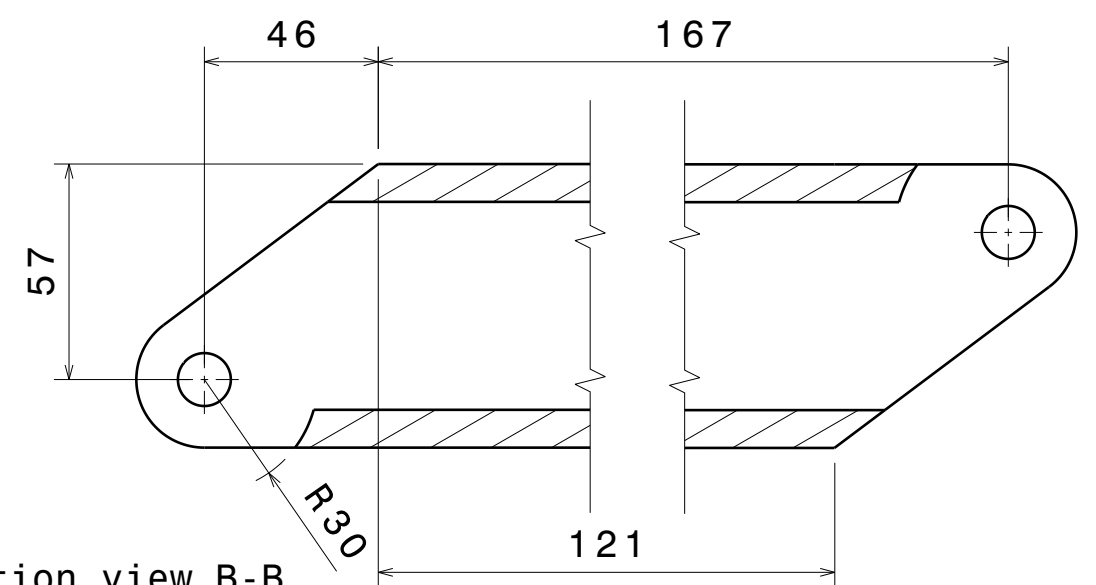
Left view
Scale: 1:5



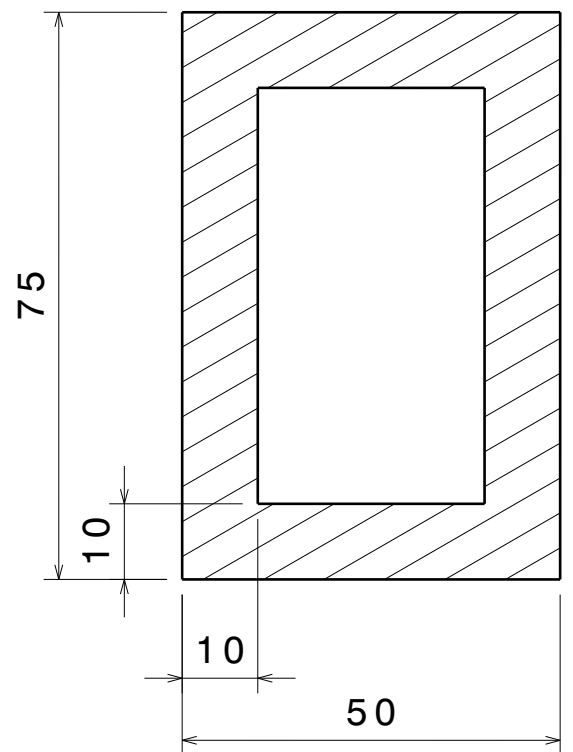
Top view
Scale: 1:5



Detail C
Scale: 1:1

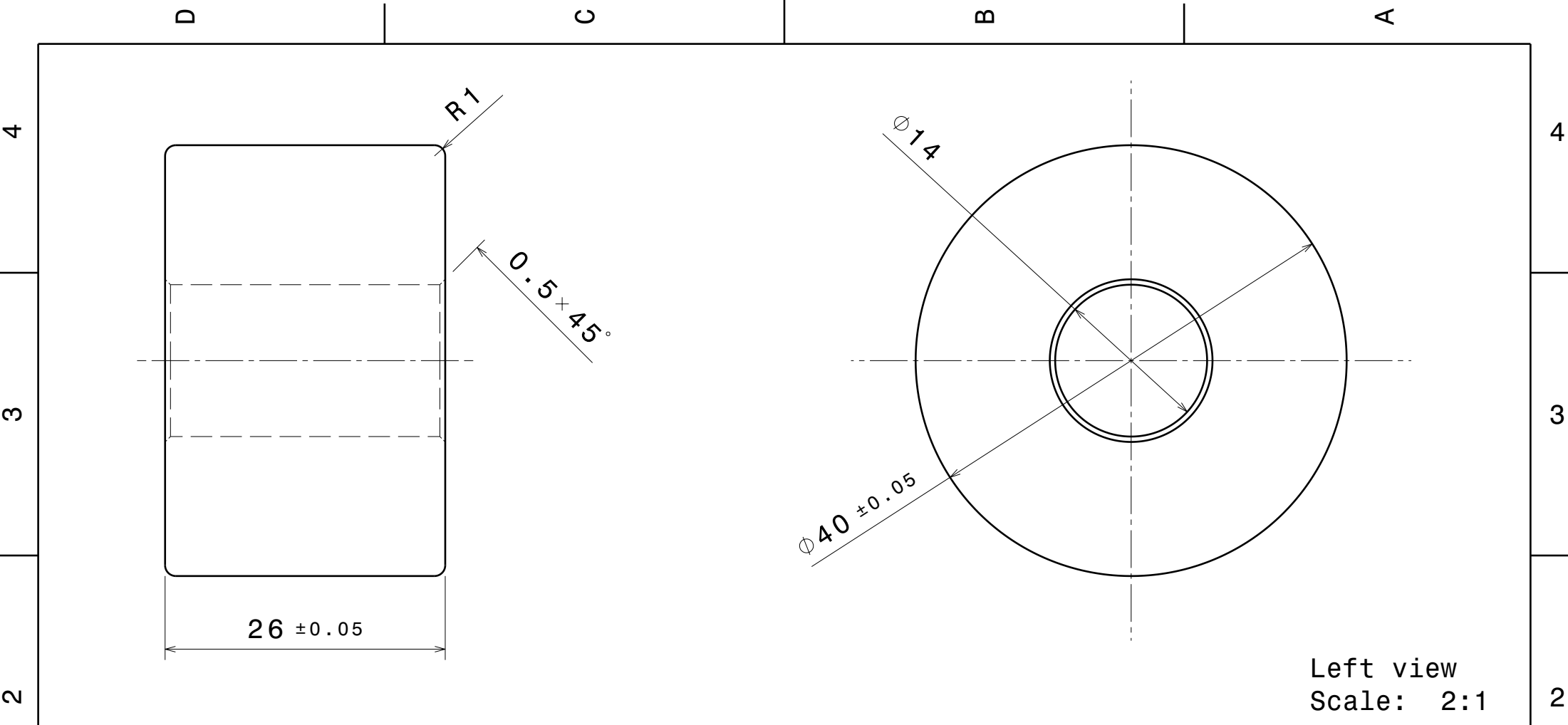


Section view B-B
Scale: 1:2



Section view A-A
Scale: 1:1

This drawing is our property. It can't be reproduced or communicated without our written agreement.		Design of Mobile Jack for Lifting Clay Model of Cars		
DRAWN BY Venkatesh S		DRAWING TITLE Slider Cross Member		
CHECKED BY Ing. Petr Zelený		SIZE A3	DRAWING NUMBER 3-KSA-VSTA-01-04	REV
DESIGNED BY Venkatesh S		SCALE 1:5	WEIGHT (kg) 26	SHEET 5



Front view
Scale: 2:1

Left view
Scale: 2:1

This drawing is our property. It can't be reproduced or communicated without our written agreement.		Design of Mobile Jack for Lifting Clay Model of Cars			
DRAWN BY Venkatesh S					
CHECKED BY Ing. Petr Zelený		SIZE A4	DRAWING NUMBER 4-KSA-VSTA-01-05		REV
DESIGNED BY Venkatesh S		SCALE 2:1	WEIGHT(kg) 0.2	SHEET 6	

D

C

B

A

4

4

3

3

2

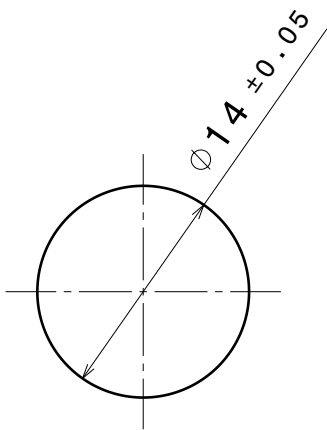
2

1

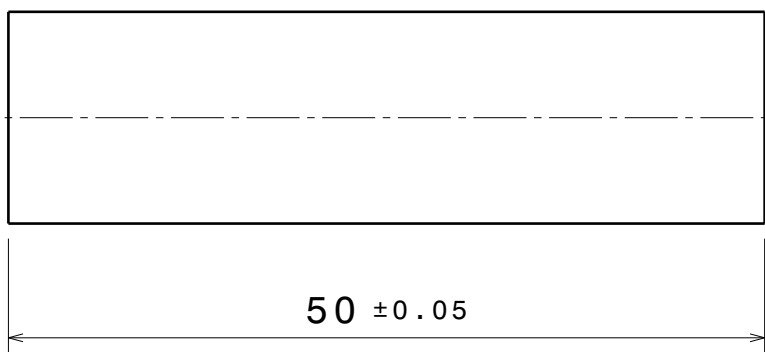
1

D

A



Front view
Scale: 2:1



Left view
Scale: 2:1

This drawing is our property. It can't be reproduced or communicated without our written agreement.		Design of Mobile Jack for Lifting Clay Model of Cars		
DRAWN BY Venkatesh S		DRAWING TITLE Roller Pin		
CHECKED BY Ing. Petr Zelený		SIZE A4	DRAWING NUMBER 4-KSA-VSTA-01-06	REV
DESIGNED BY Venkatesh S		SCALE 2:1	WEIGHT(kg) 0.06	SHEET 7

H G F E D C B A

4

3

2

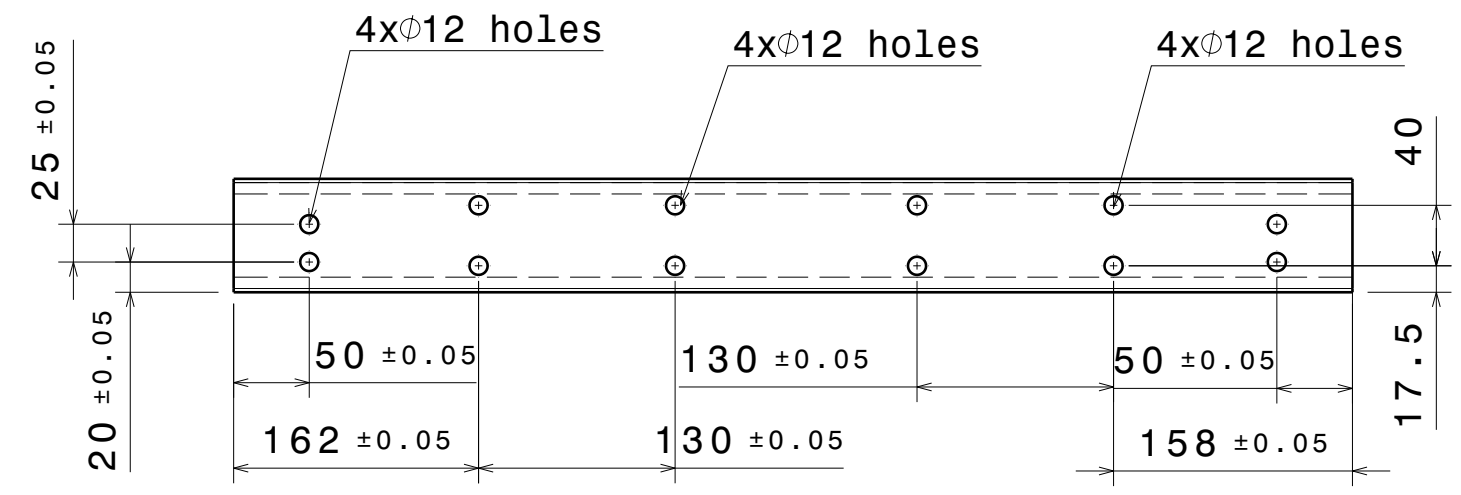
1

4

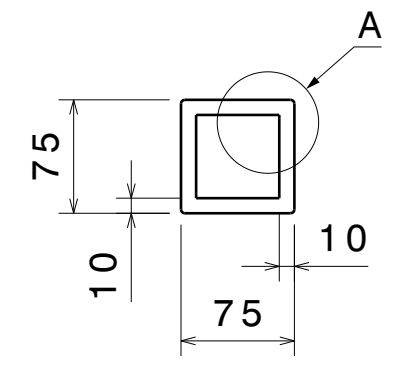
3

2

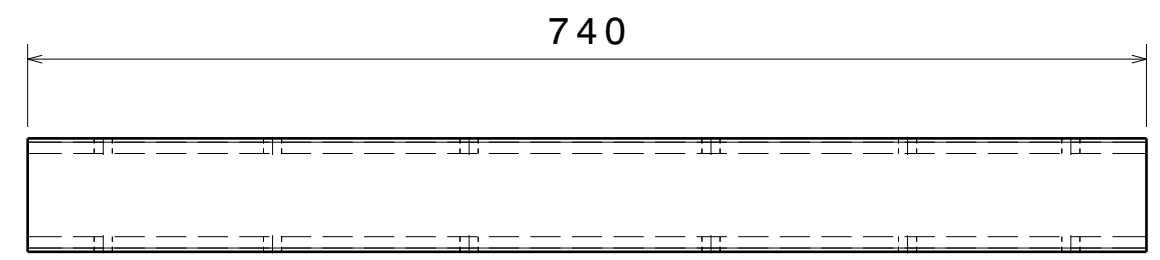
1



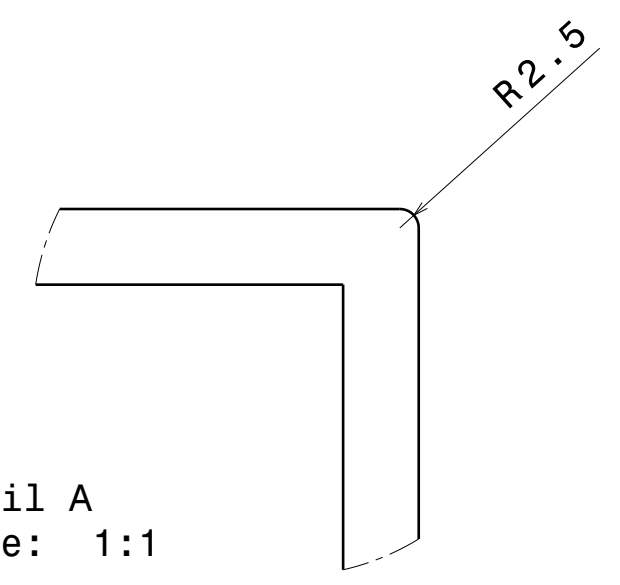
Front view
Scale: 1:5



Left view
Scale: 1:5



Top view
Scale: 1:5

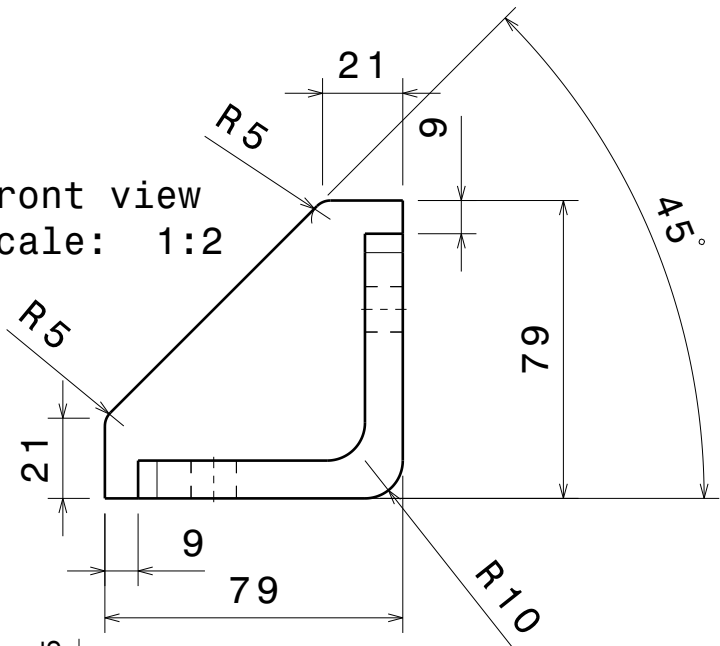


Detail A
Scale: 1:1

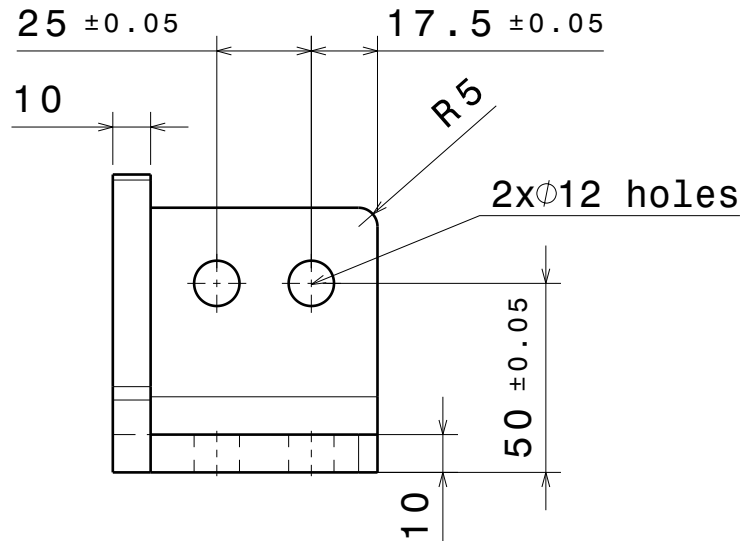
This drawing is our property. It can't be reproduced or communicated without our written agreement.		Design of Mobile Jack for Lifting Clay Model of Cars			
DRAWN BY Venkatesh S		DRAWING TITLE Connecting Member Push Bar			
CHECKED BY Ing. Petr Zelený		SIZE A3	DRAWING NUMBER 3-KSA-VSTA-01-16		REV
DESIGNED BY Venkatesh S		SCALE 1:1	WEIGHT (kg) 15	SHEET 8	

H G B A

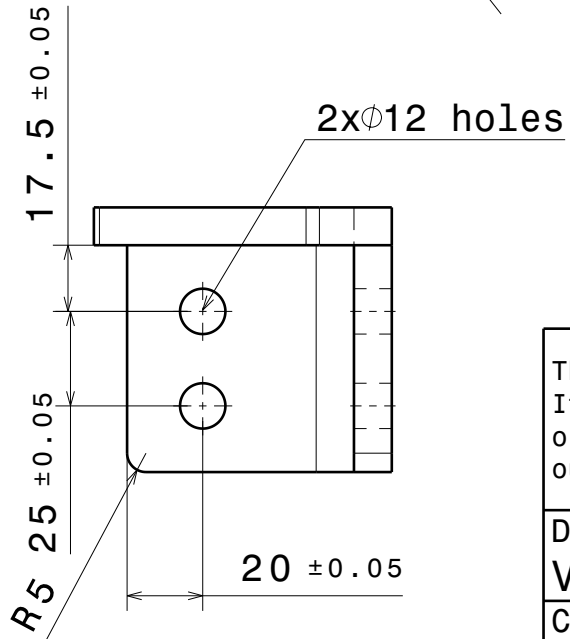
Front view
Scale: 1:2



Left view
Scale: 1:2



Top view
Scale: 1:2



This drawing is our property.
It can't be reproduced
or communicated without
our written agreement.

Design of Mobile Jack for Lifting Clay Model of Cars

DRAWN BY
Venkatesh S

CHECKED BY
Ing. Petr Zelený

DESIGNED BY
Venkatesh S

DRAWING TITLE			
Cross Member Connector			
SIZE	DRAWING NUMBER		REV
A4	4-KSA-VSTA-01-17		
SCALE	1:2	WEIGHT (kg)	1
		SHEET	9