



Pedagogická
fakulta
Faculty
of Education

Jihočeská univerzita
v Českých Budějovicích
University of South Bohemia
in České Budějovice

Jihočeská univerzita v Českých Budějovicích

Pedagogická fakulta

Katedra anglistiky

Bakalářská práce

Word formation processes and usage of
Internet abbreviations in English: a
contrastive view as regards
Czech/Slovotvorné procesy a způsoby
užívání internetových zkratk v angličtině:
kontrastivní pohled s ohledem na češtinu

Vypracovala: Aneta Matějčková, 5. Aj-Fj/BAK

Vedoucí práce: Mgr. Leona Rohrauer

České Budějovice 2014

Proclamation:

I claim that, I have worked on bachelor thesis „Word formation processes and usage of the Internet abbreviations in English: contrastive view as regards to Czech“, on my own and with usage of the sources mentioned i bibliography.

Prohlašuji, že jsem bakalářskou práci na téma „Slovotvorné procesy a způsoby užívání internetových zkratk v angličtině: kontrastivní pohled s ohledem na češtinu“ vypracovala samostatně s použitím pramenů uvedených v bibliografii. Zároveň prohlašuji, že v souladu s § 47b zákona č. 111/1998 Sb. v platném znění souhlasím se zveřejněním své bakalářské práce, a to v nezkrácené podobě - v úpravě vzniklé vypuštěním vyznačených částí archivovaných Pedagogickou fakultou elektronickou cestou ve veřejně přístupné části databáze STAG provozované Jihočeskou univerzitou v Českých Budějovicích na jejich internetových stránkách, a to se zachováním mého autorského práva k odevzdanému textu této kvalifikační práce. Souhlasím dále s tím, aby toutéž elektronickou cestou byly v souladu s uvedeným ustanovením zákona č. 111/1998 Sb. zveřejněny posudky školitele a oponentů práce i záznam o průběhu a výsledku obhajoby kvalifikační práce. Rovněž souhlasím s porovnáním textu mé kvalifikační práce s databází kvalifikačních prací Theses.cz provozovanou Národním registrem vysokoškolských kvalifikačních prací a systémem na odhalování plagiátů.

V Českých Budějovicích,

dne 24.6.2014

Podpis:

Aneta Matějčíková

Acknowledgement:

I would like to thank the supervisor of my bachelor thesis, Mgr. Leona Rohrauer, for her professional guarding, usefull remarks and also for the enormous patience she had while I was working on my thesis. I would also like to thank to my family and my boyfriend for their support, not just during working on my bachelor thesis, but also throughout all my studies.

Abstract:

This bachelor thesis deals with word formation processes, which enable the creation of new words. Then it deals with concrete word formation processes, which allow fast internet communication, thus processes which take part in the creation of different kinds of abbreviations. The practical part is formed by 50 most frequently used abbreviations in English and Czech chat room conversations. Then the practical part deals with analysis of gathered samples of abbreviations and their usage. The appendix is formed by list of gathered sentences, in which the samples relevant for the research, occur.

Anotace:

Bakalářská práce se zabývá slovotvornými procesy, které umožňují vytváření nových slov. Dále potom se zabývá konkrétními slovotvornými procesy, které umožňují rychlou internetovou komunikaci, tedy procesy, které umožňují vytvoření různých druhů zkratk. V praktické části práce je poté uvedeno 50 nejčastěji se vyskytujících zkratk v anglickém a 50 v českém chatu. Dále se praktická část bakalářské práce zabývá analýzou nasbíraných vzorků a jejich použitím. V příloze se poté nachází seznam nasbíraných vět, ve kterých se vyskytly vzorky důležité pro výzkum.

Content

1. Preface.....	6
2. Word formation processes	7
2.1. Compounding	8
2.2. Derivation	10
2.3. Conversion = Zero derivation.....	11
2.4. Back formation	12
2.5. Reduplication.....	13
2.6. Abbreviations	14
2.6.1 Truncation.....	15
2.6.2. Blending.....	16
2.6.3. -y Diminutives:	20
3. Language of the Internet – computer mediated communication	21
3.1. Internet abbreviations	22
3.1.1.Emoticons	22
3.1.2. Logograms	23
3.1.3. Abbreviations.....	23
3.1.4. Nonstandard spelling	25
4. Methodology	26
4.1 Samples from English chat rooms:	27
4.1.1. Logograms	27
4.1.2. Initialisms.....	29
4.1.3. Omissions.....	31
4.1.4. Clippings.....	34
4.1.5. Nonstandard spelling	36
4.2. Samples from Czech chat rooms	37
4.2.1. Logograms:	37
4.2.2. Initialisms:	37
4.2.3. Omissions:	38

4.2.4. Clippings:.....	41
4.2.5. Nonstandard spelling:	44
5. Usage and frequency of abbreviations.....	46
6. Chart of 50 most widely used abbreviation in English chat rooms:.....	48
7. Chart of 50 most widely used abbreviations in Czech chat rooms	51
8. Interpretation of gathered data samples and conclusion.....	54
9. Interpretace dat a závěr	56
10. Bibliography.....	58
11. Appendices	

1. Preface

The Specific language of the Internet communication penetrates more and more into commonly used written or spoken language. One of the features typical of communication in Internet discussions is using acronyms, which we can then find in everyday speech. The knowledge and understanding of word formation processes of acronyms improve the language skills of the speaker of a foreign language and his ability to respond to the latest trends in language. Internet language with its features could be considered something new which came with the arrival of modern technologies like internet or mobile phones, but as David Crystal confirms in his Cambridge Encyclopaedia of the English Language: “The fashion for abbreviation can be traced back over 150 years. In 1839, a writer in The New York Evening Tatler comments on what he called “initial language” ... a species of spoken shorthand, which is getting into very general use between loafers and gentleman of the fancy, besides Editors, to whom it saves much trouble in writing.”(*Crystal 2003:120) He was referring especially to abbreviations like: OK (all correct), PDQ (pretty damn quick) or LL (liver loafers). I do not mention mobile phones by mistake, but intentionally because the language of the internet and the language of the mobile phones, called also texting, are very similar and the features characteristic of one or the other medium consequently appear in both media, although there are some abbreviations, whose usage is typical just of one of these electronic technologies, either internet or mobile phone. The phenomena of the abbreviations has its advocates but also its opponents. People who usually defend the usage of abbreviations are the one who are users of the internet chat rooms and they appreciate the possibility to express the idea, which they have in their mind, as quickly as possible to save time and to keep conversation going without time gaps between individual replies. The other reason for usage of abbreviations they mention the language play, the means of making the language somewhat interesting with the example of the Czech abbreviation *twl*, in which the consonant *v* is replaced by the consonant *w*. Then there are opponents of the usage of the internet language. They refer, as the reason for their opposition, to the fact that the internet language makes people lazy to spell the word the right way or even possibly masks dyslexia. These people are not usually active users of the internet, so they usually do not know what these abbreviations mean, when they run into them. What people usually do not know, also usually do not like. That could be the reason, why they denounce these novelties.

2. Word formation processes

For plunging into the issue of creating internet expressions, it is firstly important to understand what the word is, and then to understand the word formation processes which allow us to create new words and therefore also abbreviations. The exact definition of the word is not easy to find and there are also different ways how the word can be defined from the different points of views, phonetically, semantically or morphologically. For our purpose it is relevant the definition of the word from the written point of view, thus morphologically. The word is a group of letters that has its meaning and is separated on both of its sides by gaps. The person who is able to create a new English word must have the language awareness of members of the English language community. English language is a complex language and words are created different ways. Word formation processes in English involve: *compounding, derivation, conversion, back formation, reduplication, abbreviation: initialisms, acronyms, truncation = clipping, blending* and *-y diminutives*.

There are a number of possibilities how a word can be made, which will be discussed furthermore to understand the word formation in complex. However, the importance for our research is given to the word formation processes that allow us to create shortened forms: **abbreviating processes**.

2.1. Compounding

One of the most used word formation processes is the process of compounding. The new-created words are then called compound words or simply compounds. Compounds are usually characterized as words that are formed from two or more words, each of which may be used separately as well. The examples are: '*breakthrough*' make from simple words **break** and **through** or '*snowball*' make from simple words **snow** and **ball**. But we can find also compounds, where there is a part of the compound, which is not attested as simple independent word, although it behaves like it. These parts are for example '**astro -**', '**bio-**', '**photo-**' in words '**astrophysics**', '**biochemistry**', '**photoionize**'. 'These types of elements are though classified as (*bound*) roots and they have usually Latin or Greek origin.' (Plag 2003:172) This type of compound is called neoclassical compounds. Therefore, the modification of the definition of compounds changes into the combination of roots and not of words. Although now we have to deal with the formations like '*parks commissioner*' or '*teeth marks*', where the first element is a plural form, therefore not a root but a grammatical word. To make the definition more difficult the compounds like '*pipe-and-slipper husband*' or for example '*over-the-fence gossip*' reveal that even a larger units, i.e. syntactic phrases, can occur in compounds. (examples from: Plag 2003: 172) According to Ingo Plag, the final definition of compounds is that: "A compound is a word that consists of two elements, the first of which is root, a word or a phrase, the second of which is either a root or a word." (Plag 2003:173). We can divide compounds according to different categories into different groups:

The first division is according means of joining their elements. We can divide compounds into two different kinds. The first one is **Unrelated or Juxtapositional (neutral) compounds**. These are compounds that are formed simply by placing one part of a compound after another; e.g. *classroom*, *timetable*, *weekend*, *grey-green*. Another type consist **morphological compounds**. These are compounds where their parts are joined together by a vowel or a consonant, which has a function as a linking element; e.g. *gasometr*, *electromotive*, *sportsman*. The last type of compounds according to their joining elements are **syntactic compounds (integrated phrases)** which are the process of semantic isolation and structural integration of free word-group; e.g. *blackboard* (<*blackboard*), *highway* (<*high way*), *forget-me-not*. (Naeem:2010)

Other possible division of compounds is division according to the parts of speech the compound is formed and how part of speech they function. We can divide compounds into following groups.

The first group is a group of compounds that function as a noun. (Plag 2003: 185) The compound, which functions as a noun can be formed from different elements. The first possibility is formation of nominal compound from two nouns, ex.: *'letter head'*, *'bus stop'*, *'football'*. Nominal compound can be also formed from adjective and noun, where the adjective is the first element of a compound, ex.: *'loudmouth'*, *'greybeard'*, *'redhead'*. The last possibility is to form nominal compound from verb as the first element and noun as the second element of a compound, ex.: *'spoilsport'*, *'cutthroat'*, *'breakwater'*.

The second group is a group of compounds functioning as an adjective. (Plag 2003:194) Adjectival compounds can be formed either from two adjectives, ex.: *brown-eyed*, *icy-cold*, or from noun as the first element of a compound and adjective as the second, ex.: *sugar-free*, *'blood-red'*.

The third group is a group of compounds that function as a verb. (Plag 2003:197) Verbal compounds are formed either from noun-verb combination, where the noun is the first element of a compound, ex.: *haircut*, *'browbeat'*, or as a verb-verb combination, ex.: *'freeze-dry'*, *'drink-drive'*, or by adjective-verb combination, where the adjective is the first element of a compound, ex.: *highlight*, *broadcast*. (examples from: Plag 2003:186)

The last distinction is according to connection of their elements because as we already know, compounds are words from two different words. (Plag 2003:188) There are three different ways of spelling of the compound. The first possibility of spelling is a spelling as one word as in *football*, *ashtray*, *haircut*, and these compounds have neither hyphen nor space between the two elements and they are called **solid compounds**. The second is **hyphenated compounds**, where the two elements of compounds are connected with a hyphen, ex.: *fire-fly*, *fast-food*, *call-girl*. The last type of compounds are compounds that are spelled separately, meaning that they have space between the two elements of the compound. They are called **open/spaced compounds** and the examples are: *tennis shoe*, *bus stop*, *education minister*. It is not easy to distinguish how the compounds will be written, but the Introduction to English Linguistics written by Ingo Plag and colleagues claim that ¹compounds which are not used very frequently are very unlikely written hyphenated or even as one word.¹ (Plag et

al 2007:95). Therefore, the frequency of the occurrence of the word plays an important role.

2.2. Derivation

These are words that are formed from the base – part, which can be used separately and the affix-part which cannot be used separately. The process of forming of these words is called derivation.

The affix part of the word can be divided into two types of affixes, according to the position in which they occur. The first type is prefix occurring before the root or stem of a word, meaning before the main part of the word, ex.: *misunderstand*, *dislike*, *neoclassical*. The second type is suffix, which occurs behind the stem or root, ex.: *kingdom*, *teacher*, and *employee*. And, we can divide suffixes according to which part of speech they form. As the example of the nominal suffixes, though suffixes which form nouns, we can mention –**ship** (*friendship*, *leadership*) or – **dom** (*freedom*, *wisdom*). As examples of verbal suffixes, we can cite – **en** (*strengthen*, *happen*) or –**ify** (*modify*, *clarify*). As for the examples of adjectival suffixes, we can mention –**able** (*fashionable*, *movable*) or –**ing** (*terrifying*, *frustrating*). As the example of adverbial suffixes we can cite –**ly** (*briefly*, *simply*)

Suffixes usually change the parts of speech of the word and prefixes usually change the meaning of the word, but not the parts of speech, but the exceptions always exist. Class – changing prefixes are mentioned in Bauer’s English Word formation. These prefixes, which change the part of speech comprise **a-** (*’asleep’*, *’awash’*), **be-** (*’befriend’*, *’bewitch’*) **en** – (*’entomb’*, *’enslave’*). (examples taken from Bauer 1983:216)

The category of derivatives can be divided into two groups. The first group consists of **primary derivatives**, which are formed by making a change in the root of primary word (word that is not derived or compound from other word, belongs to the original stock of words), usually making past tense of the present tense of the word, ex.: *’choice’* from *choose*, *’fleet’* from *float*, *’bliss’* from *bless*. The second group consists of **secondary derivatives**. These are words formed by adding suffix or prefix to the base, ex.: *’friendship’* (suffix – ship), *’darkness’* (suffix – ness), *’awareness’* (suffix – ness). (examples and categorization from Neo English 2010))

2.3. Conversion = Zero derivation

According to Ingo Plag conversion can be defined as “the derivation of a new word without any overt marking”. (Plag 2003:134) Along similar lines Laurie Bauer defines conversion “as a use of a form which is regarded as being basically of one form class as though it were a member of a different form class without any concomitant change of form.” (Bauer 1983:227) If we want to find a type of conversion word, we need to find two words derivationally related and their phonetic realization must be identical. If we want to describe converted word simpler, we can say that converted word is a word that changes parts of speech without changing form of a word. Conversion is an enormously productive way of producing new words in English, because it has not got almost any morphological restriction, so that any words, meaning compounds, derivatives, acronyms, blends, clipped forms and simplex words are all acceptable for the conversion process. (Bauer 1983:276) Conversion, the process, where any lexeme can undergo the process of conversion into any of the open form classes, is rather boundless. We can distinguish different types of conversion, especially adjective to verb, adjective to noun, verb to noun (nominalization) or noun to verb (verbalization). The process of conversion do not include just the changes between the parts of speech but also the change from one type of the noun to another or the change of one type of a verb to another. The typical example is the use of countable and uncountable nouns and vice versa. Laurie mentions as an example the word *tea*. The word *tea* used in conjunction *some tea* is used as an uncountable noun, but in conjunction *two teas*, it is used as a countable noun. (Bauer 1983:227) The example of the verb conversion to another verb comprises the distinction between the transitive and intransitive verb, because intransitive verb are sometimes used transitively. The example of Laurie Bauer: '*He is running a horse in the Derby.*' (Bauer 1983:227)

- Adjective to verb conversion examples
 - *Green to green*
 - *Open to open*
 - *Empty to empty*
- Adjective to noun conversion examples
 - *Sublime the sublime*
 - *Rich the rich*
 - *Poor the poor*

- Verb to noun conversion examples
 - *To fear a fear*
 - *To sleep a sleep*
 - *To start a start*
- Noun to verb conversion examples
 - *The Email to email*
 - *The knife to knife*
 - *The shape to shape*

Examples taken from (Plag 2003: 135)

As can be seen, there is no difference in form between the two words, but there is a difference between their parts of speech. But how can we know which word was created first. There are different forms, how we can find it out. The first is to look at history of a language. The second way is to investigate the two words from the perspective of their semantic complexity. Usually, derived words are normally more complex than their bases. The third way is to find out, if the verb is inflected regularly or irregularly, usually when the verb is inflected regularly, we can say that it was created first. The last way is to find, which word occur more often. Generally, derived words are less frequent than base words.

2.4. Back formation

Back formation is a process where shorter word is derived from a longer one by deleting an imagined affix ex.: *aviation* was in the language earlier then *aviate*, *babysitter* then *babysit*, *diagnosis* then *diagnose*. (Bauer1987:230)The process of back formation is sometimes described as a process where the word formation is reversed. It could be expressed by this generalization:

Formation: X + A → Y

Back formation: Y – A → X

2.5.Reduplication

The reduplicative is made from two same or similar words, ex.: '*goody-goody*', '*walkie-talkie*', '*itsy-bitsy*'. They have different variety of using, some simply irritate sounds: '*ding-dong*', some suggest movements: '*ping – pong*', some intensify meaning: '*teeny-weeny*' and some express disparagement: '*wishy – washy*'. (Naeem:2010)

2.6. Abbreviations

They are mostly formed by initial letters of part that form the original word to create a new word, but we can see also abbreviations formed from non-initial letters.

Initial letters non-initial letters

DC (District of Columbia)	Inc. (Incorporated)
FAQ (frequently asked questions)	Ont. (Ontario)
BA (Bachelor of Arts)	BSc (Bachelor of Science)

Characteristics of Abbreviations: (Plag 2003:161)

Spelling and pronunciation of abbreviations: There are different possibilities how abbreviations can be spelled and pronounced, for illustration we can see following examples:

Abbreviation spelling pronunciation (Plag 2003:162)

ASAP	In capitals	As individual letters
FCE	In capitals	As individual letters
ASAP	In capitals	As a regular word
NATO	In capitals	As a regular word
Asap	In lower case letters	As a regular word
Radar	In lower case letters	As a regular word
a.s.a.p.	Lower case with dots	As individual letters
etc.	Lower case with dot	As individual letters
etc.	Lower case with dot	The abbreviated words are pronounced
a.s.a.p.	Lower case with dots	The abbreviated words are pronounced

According to the way of pronunciation we can divide abbreviation into two groups. The first is the group of **initialisms**, which we pronounce as individual letters, such as BBC, ING, CIA. They are also called **alphabetisms**. The huge majority of abbreviations belong to this group. The second group is a group of **acronyms**, these are abbreviations formed by initial letters, but pronounced as regular word, such as NATO, UNESCO, and AIDS. Acronyms are also usually written with capitals.

2.6.1 Truncation

Ingo Plag says that the truncation is a process in which the relationship between a derived word and its base is expressed by the lack of phonetic material in the derived word. (Plag 2003:146) It means that the truncated word is formed by deleting of the part of the base word, either the initial or the final. (Plag et al, 2007: 101) The function of truncations is to express familiarity, so they are usually used by people, who are familiar with something. The area where we can register the truncation more often is the area of naming: *Liz (Elizabeth)*, *Sue (Suzanne)*, *Rob (Robert)*. Some examples of truncated names can have suffixations like *-y*, *-ie* or *-e*: *'Charlie' (Charles)*, *Andy (Andrew)*, *Angie (Angelina)*, but there are other possible ending for embellished clippings other than names. These are: *-o* with examples: *afro (African)*, *metho (methylated spirit)* or *-er skeeter (mosquito)*, *tater (potato)*. (Skála 2006:26) These examples are examples of so-called embellished clippings, which can be characterized as combination of two word formation processes, clipping and suffixation. Because of that combination, they are usually dissyllabic. (Skala, 2006:28) The productivity and usage of embellished clipping is variable according to the region, for example Australian English is very open to their usage. (Arts, 2006:499) Other words can undergo the process of truncation, ex.: *prof (professor)*, *lab (laboratory)*, *ad (advertisement)*. These truncated words, other than truncated names, are usually called clipping. (Plag et al, 2007:101)

Clipped words are usually based on the first part of a base word or on a part of a stressed syllable, so it could be also the last part or even the middle part of a word. As for the illustration: the first part based: *ad (advertisement)*, *porn (pornography)*, *exam (examination)*, *'jumbo' (jumbo jet)*, *'mike' (microphone)* the middle part based: *fridge (refrigerator)*, *flu (influenza)*, the last part based: *bus (omnibus)*, *plane (aeroplane)*, *'fro' (Afro)*, *'Cong' (Viet Cong)*. There are also special types of clippings based on more than one part of a word, such as *maths (mathematics)*, *gents (gentlemen)*, and *'jams'*

(*pyjamas*). (Bauer, 233) The term “clipping” is sometimes used also for compound words, where both halves of the compound could be clipped, and then the problem of the result of formation should be treated as a clipping or as a blend. 'It is not easy to distinguish which of these word formation processes we are dealing. The easiest way is to say that the word which take a compound word stress are clipped compounds. The words that take simple word stress are then blends.'¹ (Bauer 1983:233) Therefore, words *sitcom* (*situational comedy*) or *sci-fi* (*science fiction*) belongs to the category of compounds which are made of clippings.

2.6.2. Blending

Blends are words formed from parts of two different words. They involve two or more bases from two or more words and create one linguistic unit = blend. These words are called blends because the two remaining parts from original words are blended, thus mixed together. The process of blending is very similar to the process of clipping because both processes involve deletion of parts of words. The difference lies on the base used in formation of new word. The process of blending two parts of bases are used to create new words although in the process of clippings only one base is used. We can distinguish two different groups of blends. The first group is a group where blends are formed from existing compounds. The first element in these blends modifies the second one.

- *helicopter* + *airport* → '*heliport*' (*kind of an airport*)
- *Motor* + *hotel* → *motel* (*kind of a hotel*)
- *Sports* + *broadcast* → '*sportscast*' (*kind of a broadcast*)

Examples from Plag 2003:155

The second group is a formed from compounds which are not attested in their full forms.¹This type of blends label subjects that share properties of both elements of the word.¹ (Plag 2003:156)

- *Smoke* + *fog* → *smog* (*is smoke and fog*)
- *Breakfast* + *lunch* → *brunch* (*is breakfast and lunch*)
- *Sheep* + *goat* → '*shoat*' (*is sheep and goat*)

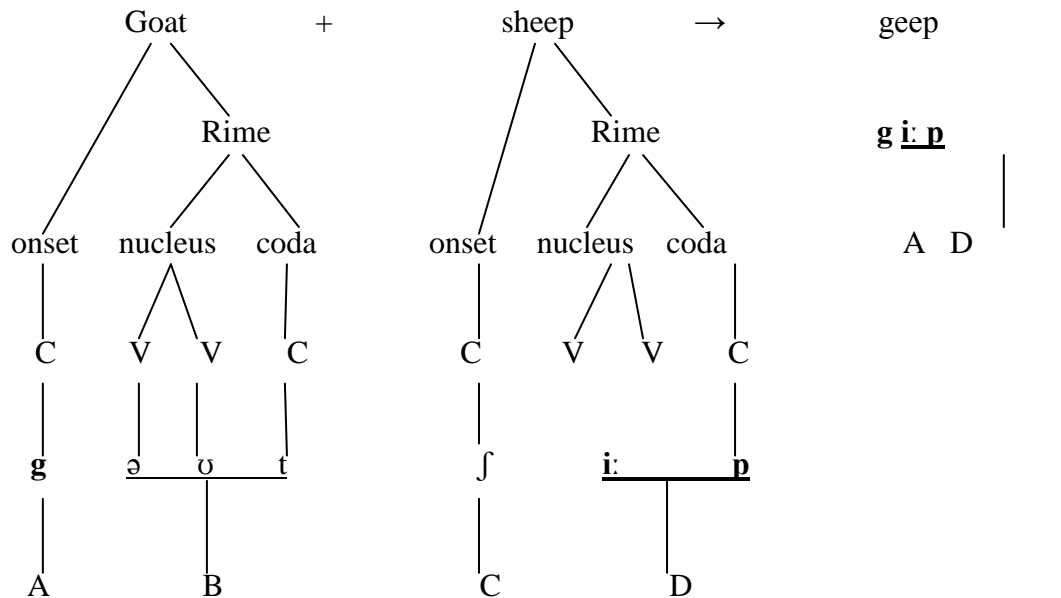
Examples from Plag 2003:155

Both parts of blend must be the same grammatical category and they must be semantically related. The rule to create a blend word is that the first part of the first element is combined with the second part of the second element. Apart from blends which we can clearly distinguish, there are kind of blends which can be easily analysable when we coin them, but not easily analysable when we hear them. These are '*autocide*' (automobile – suicide), '*electrodelic*' (electro – psychedelic), which could be also analysable as neoclassical compounds. The other problem of distinguishing is with the words like '*carbecue*' (car – barbecue), '*Amtrack*' (American – track) where the distinguishing between blend or compounds poses problems. (Bauer 1983: 236)

The structure of the blends and their creation can be expressed by this scheme: $AB + CD \rightarrow AD$. Although it has also some exceptions, where only the first element can be shortened for example blend *guesstimate* is formed from non truncated element, *guess*, other example could be *mocamp* (*motor camp*).

There exist different kinds of rules for creation of the blend word. The first rule concerns the syllable structure. Syllable structure has constituents called onset, nucleus, coda and rime, which is formed by nucleus and coda. Monosyllabic base words can be made either from the onset of the first word and the rime of the second word or onset and nucleus from the first word and the rime form the second.

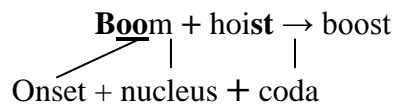
Scheme of monosyllabic blend, which consists of onset (the beginning) of the first word and rime (the part that rhymes, formed by nucleus = main part of the syllable, which usually consist of vowels and coda, final part of a syllable, usually consist of consonants) of the second: (Plag 2003:156)



Other examples of monosyllabic blends with the same structure:

- *Smoke + fog → smog*
- *Breakfast + lunch → brunch*

Examples of monosyllabic words with the second type of structure, onset and nucleus form the first word and rime from the second:



Polysyllabic blends:

The scheme for polysyllabic blends is the same as for the monosyllabic blends. The difference is the number of possible combinations.

Scheme: AB + CD → AD (Plag 2003:159)

A	D	A + D, examples
Onset	Penultimate rime and ultimate syllable	B + oatel Ch + unnel
Onset and nucleus	Ultimate syllable	Boa + tel
Onset and nucleus	Coda and ultimate syllable	Spa + nglish
Onset	syllables	g + estimate
Syllable	Ultimate rime	Boat + el
Syllable	syllables	Com + pander Guess + timate Stag + flation

*examples from (Plag 2003, 159)

The second rule deals with size of blend meaning the number of syllables:

Base words blend number of syllables

Goat + sheep	geep	AB(1) CD (1) AD (1)
Breakfast + lunch	brunch	AB(2) CD (1) AD (1)
Smoke + fog	smog	AB(1) CD (1) AD (1)
Boot + hoist	boost	AB(1) CD (1) AD (1)
Spanish + English	Spanglish	AB(2) CD (2) AD (2)

Guess + estimate	guesstimate	AB(1) CD (3) AD (3)
------------------	-------------	---------------------

*Samples taken from Plag's Word formation processes and Bauer's English word formations

As we can see, blends are usually made with two base words with the same number of syllables. If the two parts of blend have different number of syllables, it is the second word that determines the number of syllables in formed blend.

2.6.3. -y Diminutives:

Apart from truncations and clippings we can distinguish also diminutives which express not only familiarity, but also an affection mostly positive towards something or someone. (Plag 2003: 153) There are two different orthographic variants: -y and -ie. The examples for the first variant are '*beddie*' (bed), '*Barbie*' (Barbara) or '*Annie*' (Anna). Examples for the second variant are: '*Andy*' (Andrew), '*Comfy*' (comfortable).

3. Language of the Internet – computer mediated communication

Language of the Internet, called also computer mediated communication (CMC) includes emails, chats or with the development of mobile devices even instant messaging. The term CMC is though a little inaccurate and the more precise term would be simply Internet based language. (²Crystal 2008:178)

Internet based language with its use of abbreviations during internet debates is a specific theme for discussions not just between users and non-users of modern technologies, but also between linguists themselves. And, the point of view differs from person to person although as Naomi Barron, an American linguist, mentions in *Always on: Language in an Online and mobile world* general attitude of linguists towards language changes is “Bring it on!” The reason that the opinions towards internet based language differ is when we think about how much the internet based language influence normal especially writing language. However, according to symposium, Naomi Barron made, the actual linguistic impact of Internet based language was surprisingly small. David Crystal, one of the famous English linguists, is one of the defender of using abbreviations and the reasons he mentioned in his *Cambridge Encyclopaedia of The English Language*, where he says that abbreviations are very useful for linguistic economy. The precision and brevity are very valuable and abbreviations are very useful concerning these two demands. They are also a kind of social identity and integrity because it forms a group of people who share the knowledge of abbreviations. (*Crystal 2003:120) Someone could raise an objection that Crystal means normally used abbreviations such as NATO, BBC, CD – ROM. But he mentions his positive attitude for abbreviations, even modern, in his other book concerning using abbreviations during mobile texting, called *Txtng, The Gr8 Db8*, where he oppose haters of texting, who condemn texting as something, what makes people lazy to spell the word correctly or what masks inability to write correctly, by his pronouncement: “As far as I know I am not dyslexic, mentally lazy or illiterate. But I text.”

(²Crystal 2008:13) Erin Jansen, founder of netlingo.com, in her book called *Netlingo* express enthusiasm towards internet based language declaring:

“While I have no intention of telling anyone how to speak, I do feel compelled to encourage us to appreciate this new communication tool and take every opportunity to interact with each other with good intentions. There is no censorship in cyberspace - a freedom I hold dear – that’s why I did not leave any of the acronyms out of Netlingo.

However, since there is a great deal of profanity there, which I personally dislike and don't want to teach kids, I am interested in compiling a Netlingo for Kids edition without the profanity if enough people let me know they would like that." (Jansen 2002:7)

There is not always a positive attitude towards the phenomenon of abbreviations. David Crystal mentions in his *Language and the Internet* a radical opinion of Steve G. Steinberg, who says "When it comes to technology, the greater the number of acronyms, the higher the bullshit factor." (¹Crystal 2001:84) Although such a radical opinion, Naomi Barron claims that general opinion of linguists towards the changes of the language in general and therefore also towards internet abbreviations is very positive. (¹Baron 2008:162)

3.1. Internet abbreviations

Internet language consists of emoticons, logograms, and abbreviations, which comprise initialisms, omissions, clippings, nonstandard spelling and genuine novelties.

3.1.1. Emoticons, also called smileys, first appeared in 1982. It was Scott Fahlmann who first used it. The difference between the face-to-face conversations and the internet communication lies also on the fact that when we are writing, we cannot express emotions by intonation, thus the language can become ambiguous. (¹Crystal 2001:39) The function of smileys is to remove this ambiguity by usage of combination of punctuation marks sometimes also character or number to create the picture of face that express our feelings, sadness, surprise, happiness and many others. Emoticons belong to the category of pictograms, meaning that the graphic sign shows visually the concept or information.

The most used emoticons are

- ;-) (*winking*)
- :-) (*happy*)
- :-((*sad*)

3.1.2. Logograms are considered signs which represent words or parts of them, in the case of texting these are single letters, numerals, typographic symbols or the combination of the part of the word with a number. Examples of logograms are 'x' (*kiss*), 'b4' (*before*), '2day' (*today*). (¹Baron 2003:63)

3.1.3. Abbreviations are words formed by shortening of word by different ways. They include initialisms, omissions or clippings. Firstly, we will deal with the category of **initialism**. As we already mention above. Initialisms are formed from initial letters of words or word phrases. They are very familiar in proper names like OSN, CNN or CBS. We can use initial for different types of words and phrases:

- Individual words:
 - Y (yes)
 - Q (queue)
- Elements of compounds:
 - BF (bestfriend)
 - DL (download)
- Words in phrases:
 - NP (no problem)
 - FTF (face to face)
- Words in whole sentences or words in elliptical
 - JK (just kidding)
 - CMB (call me back)
- Words in expostulation:
 - OMG (Oh my God!)
 - AB (Ah bless!)

*Samples were taken from, Always on written by Naomi Barrons and Txtng written by David Crystal.

English internet initialisms with the examples of *lol*, *omg*, are usually used in their short forms during chat room conversations because they are used to save time and to communicate more information the quickest possible, but when they are used in spoken language, they are usually used in their long forms. Although the internet language influences spoken language that much that even these abbreviations are sometimes spoken in their short form, as initialisms, meaning as single letters or as acronyms,

meaning as a regular words. The example of Czech initialism could be represented by *nz*.

When we think about initialisms, the only initial letter of a word is not omitted, but when we think about **omissions** other letters from different parts of words are omitted.

Examples:

- txtin (texting)
- msg (message)
- tmrw (tomorrow)

Almost every word can be omitted even in different ways. These are usually vowels, which could be easily omitted, the reason for that is because the alphabet existed without vowels before the arrival of Greek with their alphabet also consisting of vowels (r.1840) and still it was possible to understand words.

For example: thanks

Omitted as: thx, tnx, thks

The category of **clippings** is characterized by omitting one of meaningful elements of a word, usually at the end but sometimes at the beginning of the original word. **Initial clipping**, also called foreclipping, is formed by clipping of the initial part of the word, ex.: 'berg' (iceberg), 'burger' (hamburger). **Final clipping** is characterized by clipping of the final part of a word, ex.: comp (computer), lab (laboratory). **Medial clipping** is the form of clipping which preserve the final *-s* of the original word. 'Congrats' (congratulations), 'hols' (holidays). The last possibility of clipping is to clip the initial plus the final part of a word, this is called **ambiclippping**, ex.: fridge (refridgerator), flu (influenza). (Skála 2006:25)

3.1.4. Nonstandard spelling includes representations of informal and regional speech, for example UK English, which penetrate to the language of the internet and thought form the new internet abbreviations. It is influenced by commercials, literary dialects. The examples of nonstandard spelling are: sorta (sort of), wanna (want to), gonna (going to).

The last category is the category of **3.1.5. genuine novelties**. Processes for creating texting expressions exist for a long time, but novelties are made with modifying old expressions. Usually the old abbreviation is modified by adding a new extra word, which specifies the original term.

Examples:

- *IMO (in my opinion) – original*
- *IMHO (in my humble opinion)*
- *IMHBCO (in my humble but correct opinion)*

The other novelty is when we create a texting phrase we can use all types of forming of a texting expressions at once without a space.

Example (²Crystal 2008:54):

- Ijc2sailuvu (I just called to say I love you)

Full word + two initialisms + logogram + shortened word + full word + nonstandard spelling + logogram

It is very difficult to understand language of texting for people who are not part of texters' community.

4. Methodology

For my research, I took part as an observer in Czech and English chat rooms. As a source for Czech samples of abbreviations, I chose *xchat.centrum.cz* and as a source for my English samples of abbreviations I chose *Englishchat.in*. I gathered 500 pages of conversation from each chat rooms, I went through them, looked for examples of abbreviations and took their frequency down. After passing through all the pages and after recording the occurrence of all abbreviations, I ordered them according to their frequency. Then I looked up their meanings in *internetslang.com* or *netlingo.com*. After that I analysed their structure and sorted them according to the alphabet in the following groups of abbreviations: **logograms, initialisms, omissions, clippings, nonstandard spellings**. For better orientation, samples from Czech chat rooms and samples from English chat rooms are ordered separately. After the research, charts of 50 most frequent abbreviations with the percentage of their occurrence in English chat rooms and in Czech chat rooms are given. For comparison of occurrence of abbreviation in these two languages, the total number of abbreviations in each language is given.

4.1 Samples from English chat rooms:

4.1.1. Logograms

Meaning: *are*

Abbreviation: The most frequent abbreviated form is *r*. The reason for usage of this type of abbreviation is that the letter *r* has the same pronunciation as the actual form of the verb BE, *are*. Other possible form is: *ar*

Meaning: *be*

Abbreviation: The letter *b* used to replace the verb *be* is an example of logogram. The shortened form of the verb *be* is motivated by the pronunciation of the letter *b* which is the same as the pronunciation of the verb *be*.

Meaning: *before*

Abbreviation: The abbreviated form *b4* is an example of logogram because it is formed by letter *b* with connection with the number *4*, the pronunciation of both altogether makes the word *before*.

Meaning: *the*

Abbreviation: The abbreviation *d* is based on the pronunciation of *the*, with initial vowel pronunciation. The other occurring form is *-*.

Meaning: *no one*

Abbreviation: The abbreviation *no1* is formed partly by the number, which is pronounced the same way as the part of the original word, which it replaces.

Meaning: *see you*

Abbreviation: The abbreviation *cu* is formed by pronunciation of the two parts of the collocation.

Meaning: *someone*

Abbreviation: The abbreviation *some1* is formed the same way as the abbreviation for the word no one, the second part is formed by the number based on the same pronunciation.

Meaning: *to*

Abbreviation: The abbreviation is formed by the number 2, based on the similar pronunciation.

Meaning: *too*

Abbreviation: The abbreviation is formed the same way as for the previous word and it is also based on the same pronunciation.

Meaning: *for*

Abbreviation: The usage of number 4 to express preposition *for*, is an example of logogram, in which numbers are used to express words.

Meaning: *see*

Abbreviation: The internet abbreviation used during internet discussions for a word see is , because of their phonetic similarity.

Meaning: *you*

Abbreviation: Personal pronoun *you* can be also expressed by different abbreviations. The most frequent is abbreviation *U*, where the pronunciation of this letter and the pronunciation of pronoun *you* is the same. Other less frequent forms are: *Ya, Y*.

Meaning: *your*

Abbreviation: The abbreviated form for the possessive pronoun *your* is *Ur*. The reason we can see in the connection with usage of *U* for personal pronoun *you*. Using the *U* and adding the *-r* ending, we get possessive pronoun *your*.

Meaning: *yourself*

Abbreviation: The abbreviation *urself* is formed form the abbreviation form of the word *your* and the full form of the second art of the word.

4.1.2. Initialisms

Meaning: *be right back*

Abbreviation: *Brb* is formed by initialising part of phrase though it is another example of initialism.

Meaning: *best friend*

Abbreviation: The abbreviation *bf* is formed from the initial letters of the original word.

Meaning: *by the way*

Abbreviation: The initialism *btw* is used to express the meaning of *by the way*.

Meaning: *do not care*

Abbreviation: *Abbreviated form is created from initial letters dc*, therefore, it is also an example of initialism.

Meaning: *facebook*

Abbreviation: The abbreviation for the social network is *fb* and it is formed by initialising of the two parts of word that form the word facebook, meaning face and book, which can exist separately.

Meaning: *I do not know*

Abbreviation: The abbreviated form *idk* is formed by initial letters, thus it is an initialism. Other occurring form is *dunno*.

Meaning: *Just kidding*

Abbreviation: The abbreviation *jk* is formed from initials of original expression *just kidding*.

Meaning: *laughing my ass off*

Abbreviation: *Lmao* is abbreviated form formed by initial letters. Therefore, it belongs to the group of initialisms.

Meaning: *laughing out loud*

Abbreviation: The abbreviation for *laughing out loud* is a typical example of initialised abbreviation, where each part of phrase is represented by its initial letters and creates word LOL.

Meaning: *laughing out loud (with sarcasm)*

Abbreviation: As I mentioned above, the abbreviation for *laughing out loud* is initialism *LOL*, for the expression of sarcasm the letter *z* is added at the end, so the final abbreviation is *LOLz*

Meaning: *Oh my God*

Abbreviation: The abbreviation for expression *Oh, my God* is another example of initialism, because it is formed from initial letters, *omg*.

Meaning: *private message*

Abbreviation: Word *private message* is abbreviated as *pm*, which, as you can see, are initials, though this is also example of initialism.

Meaning: *somebody*

Abbreviation: The abbreviation *sb* is formed by initial letters of the two part of word that can exist separately.

Meaning: *take care*

Abbreviation: Abbreviation is formed by initial letters *tc*, therefore it is another example of initialism.

Meaning: *take your time*

Abbreviation: The abbreviated form occurring in internet discussions is *tyt*, which is formed from initial letters of the whole expression.

Meaning: *thank you*

Abbreviation: *Thank you* is usually abbreviated as *ty*, which means by their initial letters

Meaning: *television*

Abbreviation: The abbreviated form *tv* is formed by initial letters of the two part of the word.

Meaning: *welcome back*

Abbreviation: Abbreviation *wb* is created by initialising phrase *welcome back* and that gives another example of initialism. Another occurring form is *Wcb*

Meaning: *You're welcome*

Abbreviation: *Yw* is abbreviated form for *You're welcome*. It is created from initial letters.

4.1.3. Omissions

Meaning: *about*

Abbreviation: The abbreviation for *about* is *abt*, which is formed by omitting of letters *o* and *u*.

Meaning: *and*

Abbreviation: The abbreviated form for conjunction *and* is a single letter *N*. It is an example of logogram. The other occurring abbreviation is *nd*.

Meaning: *back*

Abbreviation: The abbreviation *bck* is formed by omitting the vowel.

Meaning: *because*

Abbreviation: The most used abbreviated form for a word *because* is just *becuz*, where the second syllable of the word is written *cuz* instead of *cause*. The other possible abbreviation used during internet discussions are: *coz*, *bcz*, *cuz*, *becaz*, *cos*,

Meaning: *better*

Abbreviation: The abbreviation *btter* is formed by omitting the letter *e*.

Meaning: *doing*

Abbreviation: The abbreviation *doin* is formed by omitting of final *g*. The abbreviated form is motivated by the informal pronunciation.

Meaning: *don't*

Abbreviation: The abbreviated form *dnt* used for a word *don't* is an omitted expression, where the vowel *o* is omitted.

Meaning: *friends*

Abbreviation: The abbreviated form *frnds* is formed by omitting of letters *i* and *e*.

Meaning: *from*

Abbreviation: The abbreviated form used in discussions for a word *from* is *frm*. It is formed by omitting of vowel *o*.

Meaning: *good*

Abbreviation: The abbreviation *gd* is formed by omitting of vowels. The other occurring form is *gud*.

Meaning: *have*

Abbreviation: The abbreviation *hav* is formed by omitting of final vowel *e*.

Meaning: *haha* (expression of laugh)

Abbreviation: Expression for laugh is usually shortened to *hh* form, where the *a*, *i* or sometimes *e* letters are omitted.

Meaning: *how*

Abbreviation: The abbreviation for a word *how* is usually *Hw*, where the vowel *o* is omitted. The other possible abbreviation is simply the letter *H*.

Meaning: *know*

Abbreviation: The abbreviated form *knw* is formed by omitting the vowels.

Meaning: *let me*

Abbreviation: The abbreviation *lemme* is formed by omitting of the final letter *t* from the form of the verb. The shortened form of the verb is motivated by the informal pronunciation. The whole abbreviated form is thus formed by connecting shortened form of the verb and the full form of the pronoun.

Meaning *level*

Abbreviation: the abbreviation *lvl* is formed by omitting of vowels.

Meaning: *message*

Abbreviation: The abbreviated form *msg* is formed by omitting of letters *e*, *s* and *a*.

Meaning: *not*

Abbreviation: The abbreviated form *nt* is formed by omitting of letter *o*

Meaning: *people*

Abbreviation: The abbreviated form *ppl* is formed by omitting letters *e*, *o* and final *e*. The other occurring form is *ppz*.

Meaning: *please*

Abbreviation: The most frequent abbreviated form for word *please* is *plz*. It is created by omitting letters *e*, *a*, *s*, *e* and replacing of –*se* ending by its pronounced voiced form –*z*. It is practically the same case as with the word *thanks*. Other possible form is *pls*.

Meaning: *something*

Abbreviation: The abbreviated form *stg* is an example of omission, where the letters *o*, *m*, *e*, *h*, *i* and *n* are omitted. Other occurring form is *sth* or simply *st*.

Meaning: *sorry*

Abbreviation: The abbreviation *sry* is formed by omitting of letters *o* and *r*, thus it is an example of omission.

Meaning: *talking*

Abbreviation: The abbreviated form *talkin* is formed by omitting of final letter *g*. The abbreviated form of the verb form *talking* is motivated by the informal pronunciation.

Meaning: *thanks*

Abbreviation: In the research I came across with the fact that the abbreviation for word *thanks* can have different forms. The most frequent abbreviated form is *thx* where letters *a, n, k, s* are omitted and the *-ks* ending is replace by – *x* due to the same pronunciation. Other abbreviated forms are according to frequency: *thnx, thnks, thanx, tks* or the diminutive form *thanxie*.

Meaning: *think*

Abbreviation: The abbreviation *thk* is formed by omission of vowel *i* and consonant *n*.

Meaning: *welcome*

Abbreviation: The most frequent abbreviated form is *wlc*, where letters *e, o, m* and *e* are omitted. Other less frequent forms are: *wlcm, wc* or *wcm*

Meaning: *what*

Abbreviation: The most used abbreviated form to express the word *what* is *wht*, where the letter *a* is omitted. Other occurring form is *wat, w, wt* or *vat*.

Meaning: *where*

Abbreviation: The abbreviation *wer* is formed by omitting the consonant *h* and the final vowel *e*. Other occurring form is *wher*.

4.1.4. Clippings

Meaning: *birthday*

Abbreviation: The abbreviation *bday* is formed by final clipping of the first part of word that can exist separately.

Meaning: *brother*

Abbreviation: The abbreviation *bro* is a typical example of shortening, where the end of the word is omitted.

Meaning: *congratulations*

Abbreviation: The abbreviation *congrats* is formed by final clipping and adding the *s* from the original word to express congratulation. The other occurring form is *congratu*.

Meaning: *especially*

Abbreviation: The abbreviation *esp* is formed by final clipping.

Meaning: *picture*

Abbreviation: The abbreviation *pic* is created by final clipping.

Meaning: *problem*

Abbreviation: The abbreviated form *prob* for a word problem is formed by final clipping.

Meaning: *sister*

Abbreviation: The abbreviation *sis* is formed by final clipping of the original word.

Meaning: *English*

Abbreviation: The abbreviation *eng* is formed by final clipping.

Meaning: *tablet*

Abbreviation: The abbreviation *tab* is formed by final clipping.

Meaning: *tomorrow*

Abbreviation: The abbreviated form for tomorrow is omission *tomo*, formed by final clipping.

4.1.5. Nonstandard spelling

Meaning: *comme on*

Abbreviation: The abbreviated form *c'mon* is the example of nonstandard spelling.

Meaning: *does*

Abbreviation: The abbreviation *daz* is formed by nonstandard spelling based on pronunciation.

Meaning: *going to*

Abbreviation: The abbreviation *gonna* is the example of non standard spelling, with the origin in informal US English. The other occurring form is *gotta*.

Meaning: *kind of*

Abbreviation: The abbreviation *kinda* is the example of nonstandard spelling with its origin in informal US English.

Meaning: *that*

Abbreviation: The abbreviation *dat* is formed by nonstandard spelling, based on the pronunciation of the original word.

Meaning: *want to*

Abbreviation: The abbreviation *wanna* is example of nonstandard spelling, which usually includes informal US English speech.

Meaning: *what's up*

Abbreviation: The abbreviated form occurring in chat room discussions is *wassup*. It is example of informal US English speech and therefore it belongs to non standard spelling expressions. The other occurring form is *sup*.

4.2. Samples from Czech chat rooms

4.2.1. Logograms:

Meaning: *opět*

Abbreviation: The abbreviation *o5* is formed by initial letter of original word and the number 5, which serves by his phonetic form.

Meaning in English: again

Meaning: *zpět*

Abbreviation: The abbreviated form *z5* is created from initial letter of original word and the number five, which serves of his pronounced form.

Meaning in English: back

4.2.2. Initialisms:

Meaning: *a tak dále*

Abbreviation: The abbreviation *atd* is formed by the initial letters of each word.

Meaning in English: and so on

Meaning: *České Budějovice*

Abbreviation: The abbreviation *čb* is formed form the initial letters.

Meaning in English: České Budějovice (town in the Czech Republic)

Meaning: *není zač*

Abbreviation: The abbreviation *nz* is formed from initial letters for expression *není zač*.

Meaning in English: not at all

Meaning: *no jo*

Abbreviation: The abbreviation *nj* is formed from initial letters of the expression *no jo*.

Meaning in English: oh, yeah

Meaning: *no jo no*

Abbreviation: The abbreviation *njn* is formed from initial letters of the expression *no jo no*.

Meaning in English: It can't be helped.

Meaning: *to je*

Abbreviation: The abbreviation *tj* is formed from initial letters.

Meaning in English: It is...

Meaning: *to jo*

Abbreviation: The abbreviation *tj* is formed from initial letters,

Meaning in English: Oh, yes.

Meaning: *Válím se na zemi smíchy*

Abbreviation: The abbreviation *lulz*, is similar as the abbreviation *lolz*. It has English origin and the letter *z* at the end, expresses sarcasm.

Meaning in English: laughing out loud (with sarcasm)

Meaning: *Vítej zpátky!*

Abbreviation: The abbreviation *vb* is formed from the English phrase welcome back with the change of the *w* to *v*.

Meaning in English: Welcome back

4.2.3. Omissions:

Meaning: *ahoj*

Abbreviation: The abbreviated form for the word *Ahoj* is *hoj*, it is formed by omitting initial vowel *a*. The other possible form is *hojky*, which is friendlier, and possible is also a form *hojda*.

Meaning in English: Hi

Meaning: *ale*

Abbreviation: The abbreviated form *ae* is formed by omitting of consonant *l*.

Meaning in English: but

Meaning: *Já vím.*

Abbreviation: The abbreviation *jvm* is formed from by omitting all vowels.

Meaning in English: I know.

Meaning: *jdu*

Abbreviation: The abbreviation *du* is formed by the omission of the first consonant and it is motivated by the informal pronunciation of the original.

Meaning: I am going.

Meaning: *jestli*

Abbreviation: The abbreviation *esli* is formed by omitting of letter *j* and *t*. The form of abbreviation is motivated by the informal pronunciation of the original word.

Meaning in English: If

Meaning: *jo jo*

Abbreviation: The abbreviated form *jj* is formed by omitting of letter *o*.

Meaning in English: yes, yes

Meaning: *jsem (jsu)*

Abbreviation: The abbreviation *su* is formed by the omission of initial letter *r* from the informal pronunciation.

Meaning in English: I am.

Meaning: *kokot*

Abbreviation: The abbreviation *kkt* is formed by the omitting of vowels.

Meaning in English: cock

Meaning: *kurva*

Abbreviation: The abbreviation *kua* is formed by omitting of letters *r* and *v*. Other possible occurring form is *kuwa*.

Meaning in English: bitch

Meaning: *moje*

Abbreviation: the abbreviation *moe* is formed by omitting the letter *j*.

Meaning in English: my, mine

Meaning: *moment*

Abbreviation: The abbreviation *mmnt* is formed by omitting of all vowels. Other occurring forms are *mmt*, or diminutive forms *mmntík* or *momntík*.

Meaning in English: moment

Meaning: *ne, ne*

Abbreviation: The abbreviation *ee* is formed by omitting of consonants. This abbreviation could be motivated by the strong uninformed pronunciation which could simulate the pronunciation of babies. The other occurring form is *nn*.

Meaning in English: no, no

Meaning: *neboť*

Abbreviation: The abbreviation *bo* is formed by omitting letters *n, e* and *ť*.

Meaning in English: because

Meaning: *nevím*

Abbreviation: The abbreviation for a word *nevím* is formed by omitting all vowels and it creates abbreviation *nwm*.

Meaning in English: I don't know

Meaning: *počítač*

Abbreviation: The abbreviation for a computer is *pc* and it is formed by initial letter from the original naming personal computer.

Meaning in English: computer

Meaning: *prčic*

Abbreviation: The abbreviation *pcic* is formed by omission of the letter *r*.

Meaning in English: bugger, dammit

Meaning: *ty pičo*

Abbreviation: The abbreviated form *tpc* is formed by omitting of all vowels. Both of the forms, the shortened one and the full one are considered total vulgarisms.

Meaning in English: you, cunt

Meaning: *ty vole*

Abbreviation: The most used abbreviated form for expression *ty vole* is *tvl*. Others occurring form is *twl*. Abbreviations *twl* is characterized by the change of the consonant from *v* to *w*, which is not manifested in speech, but could be significant in writing, trying to make the shortened form unusual

Meaning in English: oh, dude

Meaning: *vole*

Abbreviation: The abbreviated form *voe* is formed by omitting the letter *l*. Other possible occurring forms are *woe*, *wle*. The change of the consonant from *v* to *w* is marked as well as in the precious case.

Meaning in English: dude

Meaning: *však*

Abbreviation: The abbreviated form *šak* is formed by omitting initial letter *v*.

Meaning in English: so, indeed, however

Meaning: *vždyť*

Abbreviation: The abbreviation *dyť* is formed by omitting initial letters *v* and *ž*. The word *vždyť* is by most Czech speakers pronounced as the abbreviated form *dyť*.

Meaning in English: so, indeed

Meaning: *zase*

Abbreviation: The abbreviation *zas* is motivated by the informal pronunciation of the original full form and it is formed by omission of the final vowel *e*.

Meaning in English: again

4.2.4. Clippings:

Meaning: *autobus*

Abbreviation: The abbreviation *bus* is formed by initial clipping.

Meaning in English: bus

Meaning: *cigareta*

Abbreviation: The abbreviation *cigo* is formed by the final clipping and adding the familiarity marker *-o*.

Meaning in English: cigarette

Meaning: *dobrý (ráno, odpoledne, večer)*

Abbreviation: The abbreviation *brý* (*ráno, odpoledne, večer*) is formed by initial clippings of *d* and *o*.

Meaning in English: Good (morning, afternoon, evening)

Meaning: *dobrej (večer)*

Abbreviation: The abbreviated form *brej* is similar to abbreviation *brý*, but it is more informal.

Meaning in English: Good (evening)

Meaning: *diskotéka*

Abbreviation: The abbreviation *disko* is formed by the final clipping.

Meaning in English: discotheque

Meaning: *dopoledne*

Abbreviation: The abbreviated form *dopo* is formed by final clipping.

Meaning in English: morning

Meaning: *fotografie*

Abbreviation: The abbreviated form *foto* is formed by final clipping.

Meaning in English: photography

Meaning: *hospoda*

Abbreviation: The abbreviated form *hospa* is formed by final clipping and adding the familiarity marker *-a*.

Meaning in English: pub

Meaning: *internet*

Abbreviation: the abbreviation *net* is formed by initial clipping.

Meaning in English: internet

Meaning: *kamaráde*

Abbreviation: The abbreviated form *kámo* is formed by final clipping and adding the familiarity marker *-o*.

Meaning in English: brother

Meaning: *nevadí*

Abbreviation: The abbreviation *neva* is formed by the final clipping.

Meaning in English: Never mind. It does not matter.

Meaning: *odpoledne*

Abbreviation: The abbreviation *odpo* is formed by the final clipping.

Meaning in English: forenoon, afternoon

Meaning: *piercing*

Abbreviation: The abbreviated form *pierc* is formed by final clipping.

Meaning in English: piercing

Meaning: *počítač*

Abbreviation: The abbreviated form *comp* is formed by final clipping of the original English word computer.

Meaning in English: computer

Meaning: *prosím tě*

Abbreviation: The abbreviation *sím tě* is formed by the initial clipping.

Meaning in English: Oh, please

Meaning: *v pohodě*

Abbreviation: The abbreviation *v poho* is formed by final clipping.

Meaning in English: OK

4.2.5. Nonstandard spelling:

Meaning: *Byl jsi*

Abbreviation: The abbreviation *byls* is formed by informal pronunciation of the full form.

Meaning in English: You were

Meaning: *by jsi*

Abbreviation: The abbreviation *bys* is motivated by the informal pronunciation of the full form.

Meaning in English: You would

Meaning: *Co je*

Abbreviation: The abbreviation *coe* is motivated by the informal pronunciation.

Meaning in English: What is.....

Meaning: *Co jsi*

Abbreviation: The abbreviation *cos* is an example of informal nonstandard spelling. The shortened form is motivated by the informal pronunciation of the full form.

Meaning in English: What you...

Meaning: *Chtěl jsi*

Abbreviation: The abbreviation *chtěls* is motivated by the informal pronunciation.

Meaning in English: *You wanted...*

Meaning: *ještě*

Abbreviation: The abbreviation *eště* is the example of non standard spelling, motivated by the informal pronunciation, where the consonant *j* is not pronounced in most cases.

Meaning in English: more

Meaning: *protože*

Abbreviation: The abbreviation *páč* is the example of non-standard spelling.

Meaning in English: because

Meaning: *To jsi*

Abbreviation: The abbreviation *tos* is also example of nonstandard spelling. As well as for the example above the abbreviated form is motivated by the informal pronunciation of the full form.

Meaning in English: The example is provided due to difficulty of exact translation - (ex.: 23:04:30 **Zrzenaa:** chces.fotky.a.masaz: **tos** mi to nandala teda :))) lesbička jsi tu očividně jen ty...) - translation.: You really showed it to me. - The presence of the form of the verb BE, in the form of **jsi**, in the Czech version of the original word of the abbreviation is not present in the translation of the meaning into English. The first part of the abbreviation is **to**, meaning it.

Meaning: *Ty jsi*

Abbreviation: The abbreviation *tys* is form of abbreviation motivated by the informal pronunciation of the full form.

Meaning in English: You are

Meaning: *však*

Abbreviation: The abbreviated form *šak* is formed by omitting initial letter *v*.

Meaning in English: but, however (ex.: 21:19:56 **ravik:** crispello: **šak** končim už po 8mi hodinach)

5. Usage and frequency of abbreviations

English chat room abbreviations

Most of the abbreviated forms can be used in all internet or sms discussions, the exceptions are the one, which are connected to the given situation, meaning discussion in chat room conversation, as for English abbreviation these are: *asl* (*age, sex, location*); *brb* (*be right back*); *gtg* (*got to go*); *pm* (*private message*); *wb* (*welcome back*). These abbreviations cannot be used in texting, because they are connected to chat communication. In terms of the most frequent abbreviations, the most frequent abbreviation in English chat room is *u* that the presence of the subject in English sentences is always required, and as people communicate in chat rooms with each other and about each other, the most frequent pronoun used during these conversations is *u* (*you*). Other very frequent abbreviations in English are *lol*, *r*, *wb*, *hh*. We find two possible expressions of laugh in these most frequent abbreviations, *lol* (*laughing out loud*) or *hh* (*haha*), which people use to express their feelings. On the third place of frequency we find the abbreviation *r*, which represent the form of the word BE, *are*, which is used usually with connection to the pronoun *you* but also with pronouns *we* or *they*. The abbreviation *r* (*are*) is followed by the abbreviation *wb* (*welcome back*), which is used so often, because people, who use internet chat rooms, usually connect and disconnect quite often in a short period of time. Abbreviations in English are normally formed especially for written language for the purpose of saving time and space that is why they are called space-saving devices. Although when they are used in conversation, they are usually pronounced in their full forms, but the phenomenon of abbreviations in recent times causes the appearance of shortened forms usually of initialised abbreviations even in speech. For example these abbreviations: *lol*, *omg* can be heard in their shortened forms.

Czech chat room abbreviations

Czech abbreviations which are mostly used just in Czech chatroom conversations, but not in texting are *z5* (*zpět*), *mmnt* (*moment*). In terms of frequency, the most frequently used abbreviation in Czech chat rooms is the abbreviation of greeting: *hoj* (*ahoj*). This is because the presence of the subject in Czech is not required. The

above-mentioned abbreviated form of the greeting “hoj” is followed by the abbreviations *jj* (*jojo*), *foto* (*fotografie*), *nj* (*no jo*), *lol* (*laughing out loud*). The first of them is used to express agreement with the opinion of the other person. The second of them is used especially in flirting or dating chat rooms, where people want to know, who they are talking to. The third of them, though the fourth most frequently used abbreviation, *nj*, is used to express that nothing could be done, similarly to English “oh, well”. The fifth is the abbreviation originally from English chat room conversations. The English language is language used all over the world and that is the reason, why these internet abbreviations penetrate from English to other languages, too. Not only do abbreviations from English to other languages, but also from written language of English to spoken language and vice versa. The feature typical for Czech language is penetrating of the informal spoken language to the written internet language ex.: *byls*, *chtěls*, *páč*. The phenomenon of pronunciation of short forms of abbreviations occurs even in Czech language. These abbreviations: *nz*, *pc*, *fb*, *thx* normally pronounced in their full forms can be nowadays heard in their shortened forms.

Although it might seem that the usage of abbreviations is not so wide. The reverse is true. The number of abbreviations gathered from English and Czech chat rooms differs markedly, but still the usage is very frequent with regard to the possibility of formation of abbreviation in each language. The possibility of creation of abbreviation in English is much higher because of the complexity of a language and its similarity of pronunciation of different words. That is the reason, why the number of abbreviation used in English chat rooms is much bigger. The advantage of creation of abbreviations in English is the fact, that English is worldwide used language, so the abbreviation can be understood by non-native English speakers.

6. Chart of 50 most widely used abbreviation in English chat rooms:

This is the list of 50 most widely used abbreviations in English chat rooms. Samples were taken from *englishchats.in* and sorted by their frequency in 500 pages of English chat room conversations. Exact dates of accesses to the chat room is shown in appendix

Frequency position	Abbreviation	Meaning	Number of occurrences
1.	U	you	815 (37,45%)
2.	LOL	Laughing Out Loud	314 (14,46%)
3.	R	are	155 (7,12%)
4.	Wb	welcome back	138 (6,34%)
5.	hh	haha	107 (4,92%)
6.	Ur	your	42 (1,93%)
7.	ty	Thank you	39 (1,79%)
8.	wanna	Want to	38 (1,74%)
9.	pm	Private message	33 (1,52%)
10.	becuz	because	25 (1,15%)
11.	ya	you	23 (1,06%)
12.	brb	Be right back	17 (0,78%)
13.	bro	brother	17 (0,78%)
14.	thx	thanks	17 (0,78%)
15.	plz	please	15 (0,69%)
16.	b	be	14 (0,64%)
17.	coz	because	14 (0,64%)
18.	frm	from	14 (0,64%)
19.	lolz	Laughing out loud (with sarcasm)	14 (0,64%)
20.	wht	what	14 (0,64%)
21.	abt	about	12 (0,55%)
22.	fb	facebook	12 (0,55%)
23.	jk	just kidding	12 (0,55%)
24.	cuz	because	11 (0,51%)
25.	gonna	Going to	11 (0,51%)

26.	h	how	10 (0,46%)
27.	omg	Oh my God	10 (0,46%)
28.	tv	television	9 (0,41%)
29.	dunno	I don't know	8 (0,37%)
30.	prob	problem	8 (0,37%)
31.	ppl	people	7 (0,32%)
32.	sis	sister	7 (0,32%)
33.	sth	something	7 (0,32%)
34.	congrats	congratulations	6 (0,28%)
35.	hw	how	6 (0,28%)
36.	n	and	6 (0,28%)
37.	thnx	thanks	6 (0,28%)
38.	knw	know	5 (0,23%)
39.	tc	Take care	5 (0,23%)
40.	tnx	thanks	5 (0,23%)
41.	no1	No one	5 (0,23%)
42.	bck	back	4 (0,18%)
43.	btw	By the way	4 (0,18%)
44.	c'mon	Comme on	4 (0,18%)
45.	gd	good	4 (0,18%)
46.	gud	good	4 (0,18%)
47.	kinda	Kind of	4 (0,18%)
48.	nd	and	4 (0,18%)
49.	bf	Best friend	4 (0,18%)
50.	sry	sorry	4 (0,18%)
Total number of abbreviations		2176 (100%)	
Total number of pages		500	

Overall, in these 500 pages of English chat room conversations we could register other abbreviations (4,91%), among which also occurred abbreviations *gotta* (going to), *lmao* (laughing my ass of), *dc* (don't care), *btter* (better), *frnds* (friends), *yw* (You're

welcome), *bday* (birthday), *gonna* (going to), *some1* (someone), *tomo* (tomorrow) which are not so widely used.

7. Chart of 50 most widely used abbreviations in Czech chat rooms

Frequency position	Abbreviation	Meaning in Czech	Meaning In English	Quantity
1.	hoj	Ahoj	Hi	43 (15,47%)
2.	jj	jj	yes, yes	27 (9,78%)
3.	foto	fotografie	photography	16 (5,80%)
4.	nj	no jo		11 (3,99%)
5.	lol	Hlasitě se směji.	Laughing out loud	9 (3,26%)
6.	Brej (den, večer)	Dobry (den, večer) - informally	Good (afternoon, evening)	8 (2,90%)
7.	mmnt	moment	moment	7 (2,54%)
8.	brej	Brej (den, večer)	Good (afternoon, night) - informal	7 (2,54%)
9.	kámo	kamaráde	friend, brother	7 (2,54%)
10.	tj	To je	It is	7 (2,54%)
11.	tys	Ty jsi	You are	6 (2,17%)
12.	bo	nebo	or	6 (2,17%)
13.	voe	vole	dude	6 (2,17%)
14.	zas	zase	again	6 (2,17%)
15.	tvl	ty vole	dude	5 (1,81%)
16.	cigo	cigareta	cigarette	5 (1,81%)
17.	pc	počítač	computer	4 (1,45%)
18.	v poho	v pohodě	cool, fine	4 (1,45%)
19.	woe	vole	dude	4 (1,45%)
20.	kua	kurva	whore	4 (1,45%)
21.	fb	facebook	facebook	4 (1,45%)
22.	du	jdu	I am coming	4 (1,45%)
23.	Tos	To jsi	You are	3 (1,09%)
24.	z5	zpět	back	3 (1,09%)
25.	sím tě	prosím tě	Oh, please	3 (1,09%)

26.	hospa	hospoda	pub	3 (1,09%)
27.	Omg	Oh můj bože	Oh my god	3 (1,09%)
28.	pls	prosím	please	3 (1,09%)
29.	Hojky	Ahojky	Hi (very friendly)	3 (0,09%)
30.	Bys	By jsi	Would you	3 (0,09%)
31.	Wtf	Co to sakra	What the fuck	2 (0,72%)
32.	Nz	Není zač	Not at all, you're welcome	2 (0,72%)
33.	tj	To jo	Oh yes	2 (0,72%)
34.	Cos	Co jsi	What you	2 (0,72%)
35.	mmntík	momentík	moment (dim.)	2 (0,72%)
36.	šak	však	however, though	2 (0,72%)
37.	njn	no jo no	It can't be helped	2 (0,72%)
38.	dyť	vždyť	after all	2 (0,72%)
39.	atd	a tak dale	and so on	2 (0,72%)
40.	eště	ještě	more	2 (0,72%)
41.	mmt	moment	moment	1 (0,36%)
42.	sry	promiň	I'm sorry	1 (0,36%)
43.	Ee	ne, ne	no, no	1 (0,36%)
44.	neva	nevadí	Never mind	1 (0,36%)
45.	twl	Ty vole	dude	1 (0,36%)
46.	Jvm	Já vím	I know	1 (0,36%)
47.	páč	protože	because	1 (0,36%)
48.	odpo	odpoledne	afternoon	1 (0,36%)
49.	nwm	nevím	I dont know	1 (0,36%)
50.	dopo	dopoledne	forenoon, morning	1 (0,36%)
Total number of abbreviations			276 (100%)	
Total number of pages			500	

The list above is the list of 50 most widely used abbreviations in Czech chat rooms. Samples were taken from *xchat.centrum.cz* and sorted by their frequency in 500 pages of Czech chat room conversations. Dates of the excesses are given in the appendix 2.

Other abbreviations used during Czech chat room conversations comprise 9,42 % of total number of abbreviations. There are for example, abbreviations like: o5 (opět – again), disko (diskotéka – disco), kkt (kokot – cock), btw (mimočodem - by the way), pierc (piercing – piercing), nn, (ne, ne – no, no)

8. Interpretation of gathered data samples and conclusion

As the charts of the most frequent abbreviations have been presented and along with them the abbreviations' structure, the gathered data can be more easily analysed. As we have a look at the structure overview, we can see that in the investigated chat room conversations we have come across examples of all types of abbreviations possible. The first type of abbreviations are the **logograms**, which are formed in our research of English samples either by single letters, representing words based on the same pronunciation, ex.: *b* (*be*), *d* (*the*) or the numbers motivated also by the pronunciation, ex.: *4* (*for*) or by combination of part of the original word and the number, ex.: *no1* (*noone*), *b4* (*before*). The possibility of making a logogram from single letters or numbers in Czech languages does not exist because there is no similarity between pronunciation of the alphabet and any Czech word. Although the combination of the part of the original word and the number is also possible, ex.: *z5* (*zpět*), *o5* (*opět*). Other category is the category of **initialisms**, which are formed from initial letters. The examples of English initialisms include *lol* (*laughing out loud*), *wb* (*welcome back*), *ty* (*thank you*), examples of Czech initialisms are *nj* (*no jo*), *atd* (*a tak dále*). Another category is a category of **omissions**. Omissions are characterized by omitting of some letter. There are three possible forms of omissions. The first is omitting of all vowels, which is more common because vowels do not carry meaning, but consonants do that is why we can understand words without vowels much easier than words where the consonants are omitted. Examples of English vowels omissions are *stg* (*something*), *ppl* (*people*), *msg* (*message*) and examples of Czech vowels omissions are *kkt* (*kokot*), *mmnt* (*moment*). Other possible omission is omission of some consonant or some vowels, but not all, examples in English are *sry* (*sorry*), *hav* (*have*), *talkin* (*talking*), examples of Czech language are *bo* (*nebo*), *šak* (*však*), *esli* (*jestli*). The less almost nonexistent category is category of omission of all consonants. It is not easy to find the example, but in Czech it is represented by the abbreviation: *ae* (*ale*). The penultimate category is the category of **clippings**. We had come across of different kind of clipping in the theoretical part of this thesis. However, in our research, we have only come across clippings formed by disappearance of the part of the word from final or initial position. Final clipping in English are represented for example by words *bro* (*brother*), *esp* (*especially*), *prob* (*problem*) and in Czech language *neva* (*nevadí*), *foto* (*fotografie*). I did not come across to any initial clipping in English, but the Czech language has for example: *sím tě* (*prosím tě*), *net* (*internet*). The last category is category of non standard

spelling where the abbreviations are motivated by the informal pronunciation of the original word. English non standard spelling like *wanna* (*want to*), *gonna* (*going to*), *kinda* (*kind of*) are motivated by the informal pronunciation of the US English. Czech non standard examples are *byls* (*byl jsi*), *tos* (*to jsi*), *páč* (*protože*). The most frequently abbreviated words are words, which are used most often (*hoj, foto, mmnt, u, r*) but also expressions of feelings (*lol, hh, v poho, omg, ty, thx*), disagreement (*jj, gd*) or agreement (*nn, ee, ya*).

The interesting fact, which appears in our research, is the possibility of abbreviation of one word in different ways. One example for all is the word *thanks* which could be abbreviated like: *thx, thnks, thankx, tks, thanxie*.

9. Interpretace dat a závěr

Po vytvoření tabulky nejvíce frekventovaných zkratk a také jejich strukturálního přehledu je možné nasbíraná data lépe analyzovat. Když se podíváme na zkoumané vzorky je jasné vidět, že jsme se setkali se všemi druhy zkratk, které jsou v internetové konverzaci možné. Prvním typem zkratk, se kterým jsem se setkala, jsou tzv. **logogramy (logograms)**, které jsou v našem výzkumu anglických zratek reprezentovány buď pouhými písmeny, nebo číslicemi s ohledem na stejnou výslovnost s normálními slovy v Angličtině, např.: *4 (for)* nebo kombinací části slova a číslice např.: *no1 (no one)*, *b4 (before)*. Možnost utvoření logogramu v Českém jazyce pouze z písmen či číslic není možná, protože v ní neexistuje podobnost mezi výslovností abecedy a jakéhokoli českého slova. Kombinace části původního slova a číslice je ovšem v češtině téže možná, příkladem jsou: *z5 (zpět)*, *o5 (opět)*. Další kategorií je kategorie inicialismů, které jsou tvořené kombinací prvních písmen slov či slovních spojení. Příkladem anglických inicialismů jsou: *lol (laughing out loud)*, *wb (welcome back)*, *ty (thank you)*, příkladem českých inicialismů jsou potom *nj (no jo)*, *atd (a tak dále)*. Běžně používané **inicialismy (initialisms)** jsou obvykle zkráceny, jak v psaném, tak ve výslovnostním jazyce, např.: OSN, ale inicialismy internetového jazyka jsou většinou zkráceny pouze v psaném jazyce, kvůli ušetření místa a času. Ve výslovnosti jsou však vyslovovány v jejich dlouhé formě. Nicméně existují i výjimky, které je možné slyšet vyslovovat v jejich zkrácené formě např.: *omg*, *wtf* nebo *lol*. Další kategorií je kategorie **vynechávek (omissions)**. Vynechávky jsou charakteristické vynecháním určitých písmen. Existují tři různé způsoby vynechání. Prvním možným vynecháním je vynechání všech samohlásek, které je nejčastější a nejlépe srozumitelné, protože samohlásky nenesou význam zatímco souhlásky ano. To je důvod, proč rozumíme slovům, kde jsou vynechány samohlásky snadněji, než slovům, kde jsou vynechány souhlásky. Příkladem anglických vynechávek jsou *stg (something)*, *ppl (people)*, *msg (message)* a příkladem českých vynechávek jsou *kkt (kokot)*, *mmnt (moment)*. Další možností, jak vytvořit vynechávku je vynechat některé souhlásky a k tomu také některé samohlásky, avšak ne všechny, příkladem v angličtině jsou *sry (sorry)*, *hav (have)*, *talkin (talking)*, příkladem v češtině jsou *bo (nebo)*, *šak (však)*, *esli (jestli)*. Další možností je vynechání souhlásek. Tento způsob je poněkud ojedinělý, avšak lze najít příklad v češtině v podobě spojky: *ae (ale)*. Předposlední kategorií je kategorie **ústřížků (clippings)**, která je tvořená zkratkami, které vzniknou buď odpadnutím poslední nebo první části slova. Odpadnutí poslední části slova je v

Angličtině reprezentováno například slovy: *bro* (*brother*), *esp* (*especially*), *prob* (*problem*) a v češtině slovy: *neva* (*nevadí*), *foto* (*fotografie*). Bohužel jsem při výzkumu nenarazila na žádnou anglickou zkratku zformovanou odpadnutím první části slova, v češtině jsem se však s tímto typem zkratk setkala: *sím tě* (*prosím tě*), *net* (*internet*). Poslední kategorií je kategorie **nestandardních pravopisů (nonstandard spelling)**, která je ovlivněna neformální výslovností původních slov, v angličtině například: *wanna* (*want to*), *gonna* (*going to*), *kinda* (*kind of*). Právě tyto zkratky jsou motivovány neformální americkou výslovností. Mezi české příklady patří *byls* (*byl jsi*), *tos* (*to jsi*), *páč* (*protože*). Co se týče nejčastěji zkracovaných slov, mezi nejčastěji zkracovaná slova patří slova, která jsou nejvíce používána během internetové komunikace (*hoj*, *foto*, *mmnt*, *u*, *r*) ale také ta, která vyjadřují pocity (*lol*, *hh*, *v poho*, *omg*, *ty*, *thx*), nesouhlas (*jj*, *gd*) či souhlas (*nn*, *ee*, *ya*).

Zajímavým faktem je, že se ve výzkumu vyskytly různé druhy zkrácení jednoho a téhož slova. Příkladem je anglické slovo *thanks*, které se vyskytlo zkráceně jako *thx*, *thnks*, *thankx*, *tkx*, *thanxie*.

10. Bibliography

1. Plag, Ingo. (2003) *Word-formation in English*. Cambridge University Press: p. 90 - 198
2. Bauer, Laurie. (1983) *English Word Formation*. Cambridge University Pres: p. 201 – 240
3. Herbst, Thomas. *English Linguistics: A coursebookfor students of English*, Deutsche Nationalbibliotek: p. 102- 105
Available in: http://books.google.cz/books?id=c2nlUGfhpM8C&pg=PA95&hl=cs&source=gbs_toc_r&cad=4#v=onepage&q&f=false
4. Plag,Ingo et al. (2007) *Introduction to English Linguistics*. Deutsche Nationalbibliotek: p. 86-91, 94 – 99, 101 – 103
Available in:
http://books.google.cz/books?id=hoMum_G9zn4C&pg=PA88&hl=cs&source=gbs_toc_r&cad=4#v=onepage&q&f=false
5. *Crystal, David. (2003) *The Cambridge Encyclopaedia of English Language*. Cambridge: Cambridge University Press: p. 120-122, 128-132
6. ¹Crystal, David. (2001) *Language and the Internet*. Cambridge: Cambridge University Press:p. 17 – 23, 81 - 96
7. ²Crystal, David. (2008) *Txtng: The Gr8 Db8*. Oxford University Press:
8. Baron, Naomi. (2008) *Always on: Language in an Online and Mobile Word*. Oxford university Press:p. 17 – 20, 59 - 61
9. ¹Baron, Naomi (2003) *Language and the Internet*. Stanford:CSLI Publications: p. 59 – 127
Available in: <http://www.american.edu/cas/lfs/faculty-docs/upload/n-baron-language-internet.pdf>
10. Thurlow C., Lengel L. and Tomic A. (2008) *Computer mediated communication*. Alden Press Limited, Oxford.
11. Jansen, Erin. (2002) *Netlingo*. Netlingo Inc,
Available in:<http://www.amazon.com/NetLingo-Internet-Dictionary-Erin-Jansen/dp/0970639678>

12. Arts, Bas (2006). *The Handbook of English Linguistics*. Blackwell Publishing Ltd:p. 499
Available in:
http://books.google.cz/books?id=7lbaAgAAQBAJ&pg=PA499&lpg=PA499&dq=embellished+clipping&source=bl&ots=jwfuE3LrTR&sig=YISixT2ZS3YwLgz41gsg9W1XJ3s&hl=cs&sa=X&ei=z0-wU_nzLsyp7Ab63IDIDg&ved=0CCsQ6AEwAQ#v=onepage&q=embellished%20clipping&f=false
13. Jansen, Erin. *Netlingo*. 2014. www.netlingo.com
14. Naeem, Muhammad. *Neo English*. 2010
http://neoenglishsystem.blogspot.fr/2010/06/process-of-word-formation-in-english_20.html
15. *English for Students*. 2014. <http://www.english-for-students.com/>
16. Melissa. *Today I found out*. 2014.
<http://www.todayifoundout.com/index.php/2013/09/the-origin-of-the-english-alphabet/>
17. Sláma, Richard (2006) *Clipping from the word formativ, word-class, stylistic/register, semantic and translational perspectives*. Diploma thesis. Praha: Univerzita Karlova, Filozofická fakulta, Ústav anglistiky a amerikanistiky. Supervisor of the thesis Prof. PhDr. Aleš Klégr
Available from: <https://is.cuni.cz/webapps/zzp/detail/27174/>

11. Appendices:

11.1. English chat room samples

Datum: 4.6.2014

Čas: 20:13 – 21:30

1. <ali> what **r u** talking about guys?
2. <ghost> **abt sth** interesting
3. <SoOna> are **u** alive in that hot city :))
4. <SoOna> DNA where are **u**
5. <laUra> heiii **pp!**
6. <laUra> **hw r u?**
7. <Justin> I dont **wanna** interfere in B?**w u** guys conversation , if say then I can include on that
8. <ali> laura **u r** new here too?
9. <Sham> soona are you in **pm**
10. <baran> ali how old are **u**?
11. <Noob> which city do **u** live ali?
12. <baran> why are **u** silent?
13. <ali> noob where **r u** from?
14. <ali> which city **r u** from baran?
15. <ali> how old **r u**?
16. <ali> **u** know turki too?
17. <ali> **u** mean teach ?
18. <ali> yeah **u** cna
19. <ali> i can help **u** noob too
20. <baran> where are **u**?
21. <Noob> we **r** the same chibita :P
22. <ali> np chibita i am like **u** too
23. <baran> chibita are **u** female?
24. <ali> how old **r u**?
25. <Noob> do **u** live in Reus city chibita ?
26. <baran> where are **u** from fireeeeeeeee?
27. <ali> hey guys why **u** don't speak
28. <baran> are **u** female?
29. <ali> where **r u** from crossfire?
30. <Noob> natali **wht** does 2801 mean?
31. <Noob> **lol**
32. <jay> **hw r u** all?
33. <ali> fine **tnx**
34. <ali> where **r u** from?
35. <jay> im **frm** india
36. <jay> **n u**?
37. <ali> im **frm** iran
38. <ali> how old **r u**?
39. <ali> fine **tnx**
40. <ali> where **r u frm**?
41. <abolbol> **IDK**
42. <Uncle_Sardin> **hhh**
43. <abolbol> **u**?

44. <abolbol> not the way **u** think
45. <RG> **wb** julia :D
46. <Uncle_Sardin> **hhhh** , you are totally loosing it :)
47. <Intestine> how are **ya?** ;)
48. <Uncle_Sardin> **thx thx** !!
49. <smarty> **r u** small or large intestine ?
50. <Intestine> **omg**
51. <Intestine> **loooooooooooooool**
52. <smarty> so **u** were small **b4** :)
53. <Intestine> kill me **pls**
54. <Uncle_Sardin> **hhhh**@lover
55. <Intestine> **omg**
56. <RG> i **knw** :P
57. <Intestine> but **u** would eat all :P
58. <Uncle_Sardin> **hhhh**
59. <Intestine> rg rg rg **wb** ;)
60. <RG> **ty** :D
61. <mahya> **u** should go to a doctor dear
62. <Intestine> sardin didnt know yet **btw** :D
63. <Uncle_Sardin> **hhh** !!
64. <Cutie> **hhh** hiii kids :D
65. <smarty> it can **b** better rg :)
66. <Uncle_Sardin> calling **ppl** kids...
67. <RG> **wb** emmy :D
68. <Uncle_Sardin> **lol**
69. <Cutie> **hhh** what new ? ;>
70. <RG> **wb** juliaaaa :DD
71. <smarty> cant **u** think beyond body parts intestine ?
72. <Uncle_Sardin> **hhh**, right !!
73. <Emmy> guys **u** like Shakira? her song is stuck in my head since long time -_-
74. <Intestine> **u**?
75. <Cutie> yhh xd **btw** Em you meet before Carm and Em ?
76. <Intestine> but nice to see **u** again
77. <smarty> try & try & **u** will succed :)
78. <Cutie> **hhh** our gang is bigger and bigger ;d
79. <Intestine> :P **looolz**
80. <RG> **wb** love
81. <RG> **u** too
82. <Emmy> can i curse in my language **plz** ?
83. <Emmy> **coz** i have to.
84. <Cutie> **hhh** you often cursing you know? :D
85. <Cutie> **hhhh** ok sorry :f
86. <violet> how are **u** all???
87. <smarty> we **r** all fine vio
88. <smarty> tell us **abt u** :)
89. <smarty> i didnt speak for **u** at all love good
90. <smarty> **u r** looking fine vio
91. <Cutie> have been* was been **hhhhh** xd
92. <Noob> **wb** Vioooooooooo
93. <Emmy> Cutie its better than crying **coz** of ex
94. <violet> **wb** meeeee???**wb** uuuu noob hmmm:P

95. <violet> fine dear baran how about u?
96. <Emmy> baran u know what baran in polish means ?
97. <Cutie> hhhhhh when i saw here first time i asked the same ;D
98. <Cutie> i saw also "burak" hhhh xd
99. <baran> smarchy are u administrator?
100. <smarty> yes i m tring to b baran:)
101. <Cutie> hhh but still funny for us ;D
102. <baran> then u r not smarchy?
103. <Cutie> noo... i just writting " hhh " xd
104. <Emmy> pizzas make u fat
105. <Uncle_Sardin> hhh or XD ?
106. <Uncle_Sardin> i should call ya Lady XD
107. <smarty> love good r u male or female ?
108. <baran> wb viooooooooooooooooooooooooooooooooooooo
109. <Emmy> Uncle Sardin.... i would tell u sth but it can be offensive
110. <violet> ty all
111. <smarty> lol
112. <Cutie> Uncle it is if you wanna be fat ;p
113. <baran> when did u come viooooooooooooooooooooo?
114. <Emmy> when i see ur nick.... i have weird feeling that ur smell is not very nice coz of this sardin :O
115. <baran> are u male smarty?
116. <violet> hhhhh u dunno ??baran
117. <violet> becuz u were hmm busy^^
118. <Uncle_Sardin> hhhh , Emmy i smell worst than fish....
119. <smarty> i think u r male too baran :)
120. <Emmy> Lovegood good for u, u re a guy
121. <violet> lol
122. <smarty> oh really u r female baran ?
123. <Emmy> Cutie how can u give free hugs if u ur smell is not good? :O
124. <smarty> i want the same for u love good :)
125. <Cutie> Uncle ok :D you wanna have your own mark i see ;d
126. <smarty> love good , r u shakira ?
127. <smarty> or trying to b shakira ?
128. <smarty> what r u love good ?
129. <Noob> omggg..wht a chaos...P
130. <Uncle_Sardin> hhhh
131. <smarty> lol love good
132. <Emmy> LOL CUTIE
133. <baran> lol
134. <smarty> ok who r u love good ?
135. <Cutie> wanna some strawberries?
136. <Cutie> lol :D mily :D
137. <eMILY> but u were first here generally speaking
138. <baran> mahnaz where are u from?
139. <Cutie> hhhhhh :D good
140. <mahnaz> u?
141. <DNA> emmyreal who r u
142. <RG> hey ppz :D
143. <mahnaz> baran which city u are?
144. <smarty> wb rg
145. <RG> ty smart

146. <RG> **wb** vio :D
147. <Uncle_Sardin> **Wb** violet!!
148. <Cutie> UNCLE ! **lol** it's not that long word! xd
149. <smarty> **wb** vio
150. <baran> what do **u** do mahnaz?
151. <baran> **wb** viooooooooooooooooooooo
152. <smarty> **wb** baran :)
153. <baran> **ty** smarty
154. <baran> **ur** degree?
155. <smarty> mahnaj where **r u** from ?
156. <mahnaz> **u**?
157. <mahnaz> **ur** filed?
158. <baran> what about **u**?
159. <mahnaz> **thx** violet
160. <baran> **gud**
161. <smarty> naatca **u** just continue here
162. <Uncle_Sardin> how can we help **ya** Naat ?
163. <RG> mind your lang **ty** :D
164. <smarty> **u** will improve **ur** english naatca
165. <smarty> naatca **u r** tring good , just continue my friend
166. <smarty> naatca **u** start thinking in english
167. <RG> **wb** naat
168. <Emmy> **wb**
169. <Uncle_Sardin> **wb** naatca
170. <smarty> what **r u** talking **abt** love good & emmy?
171. <Lovegood> **lol**
172. <smarty> what **abt** mikel jackson?
173. <violet> **lol** uncle
174. <Cutie> Lovegood my sis reads this.. gosh itwas terrible **hhhh**
175. <violet> **lol**
176. <Uncle_Sardin> **hhhh**
177. <Cutie> **brb** ;)
178. <Uncle_Sardin> **tyt**
179. <Emmy> **wb** yara :)
180. <Yara> love **uuu** dear violet
181. <Uncle_Sardin> **kinda**
182. <Yara> how are **u**
183. <gentleman> yara hoe **r u** ?
184. <Yara> how about **u** guys
185. <RG> dont provoke the admin to ban **u frm** here
186. <Uncle_Sardin> **hhh**
187. <Yara> **lolll**
188. <Uncle_Sardin> **wb** Joost!!
189. <gentleman> **r u** doctor patrick ?
190. <Uncle_Sardin> **hhh**
191. <Patrick> emmy dont **u** know that? ;D
192. <RG> which is why **ur** still here love
193. <gentleman> **u** seem something special lovegood
194. <RG> **wb** sardin
195. <Emmy> **wb** sardin :)
196. <Uncle_Sardin> **thx** emmy

197. <Yara> emmy just ignore if **u** dont know what is the detail of the subject
198. <Yara> **lol**
199. <Yara> how are **uuuu** rguyyyyy
200. <RG> am good dear :D...ty...)
201. <Emmy> **wb***
202. <Emmy> **lol**
203. <Yara> lovegood are **u** sick?
204. <Yara> dont **u** need any tablet
205. <RG> welcome **bck** then :)
206. <Emmy> are you calling me dude? **lol**
207. <RG> **lol** :D
208. <Uncle_Sardin> **hhh**
209. <RG> **lol** .:D sorry dear..i was joking :D
210. <Yara> **lol**
211. <Yara> **lol**
212. <Yara> **u r** just uneducated person who loves to catch girls through chatting
213. <Lovegood> **lol**
214. <Yara> go dear **u** entered a wrong room
215. <Cutie> i **wanna** be able to do splits ♥_♥
216. <Uncle_Sardin> **WB** Carmen !!
217. <Emmy> **wb** yara
218. <Liver> **thxx**
219. <yara> uncle sardin its not fair if someone else trys to say homo to other chatters directly **u** will ban him/her
220. <yara> see **u** guys
221. <Emmy> are **u** leaving?
222. <Liver> yara **wb** :)
223. <Emmy> **wb** yara
224. <Liver> viooo **wb** :D
225. <vio0let> wow now **u**'re liver!!!
226. <vio0let> **u** were intensine...0.o
227. <Cutie> hhh i've been... :> we will see what's coming **hhh** >:-)
228. <Yara> but since im watching **u u** wont even kick freaky person as well
229. <Yara> anyway as **u** like
230. <Cutie> **hhhhhh**
231. <Uncle_Sardin> you can tell me in **pm**.. not in main !!
232. <Yara> i dont like **pm**
233. <baran> **h r u**?
234. <Yara> but i dont **wanna** bother **u** anymore
235. <baran> are **u** ok my deaaaaaaaaaar?
236. <Liver> emmii i will eat **sth** for sure :D
237. <Liver> hahah **omg**
238. <Patrick> **omg**
239. <Liver> **loooool**
240. <Yara> do whatever **u** like
241. <Cutie> yhhhh and lol and **lol** :c
242. <Yara> crazy **sis**
243. <Liver> :P yara what did **u** cook today?
244. <vio0let> did **u** watch any scary movieeeeeee?
245. <Yara> **lol**
246. <Liver> vio ask sardin how many sandwiches are enough he will tell **u**
247. <vio0let> **lol**

340. <r> lol
341. <Sham> lolz
342. <r> << i wanna make cupcakes
343. <RG> brb
344. <ShArk> lol
345. <r> i was like O,O lemme ask him
346. <ShArk> i don't think dat daz could travel dat far just for a gf
347. <r> lol :p
348. <ShArk> ya.... some people look same
349. <r> lol
350. <ShArk> take u lappy and go n sit in ur bath tub
351. <r> lol
352. <r> lol
353. <SoOna> i can help u r
354. <ShArk> soona.. why don't u try... then i can help u
355. <SoOna> shark how are u ?
356. <ShArk> ok..... lemme think
357. <r> i dont wanna waste my lovely vacations xD
358. <SoOna> r where are u from ?
359. <Yara> how is ur sharp teeth shark
360. <Yara> how are u dear sis
361. <Yara> i missed uuu soo much
362. <r> whenever someone says sis or bro
363. <Yara> not u
364. <Yara> r u feel jealousy
365. <Yara> its ok we will call u as bro too
366. <ShArk> no prob
367. <SoOna> yara i dont want any more bro
368. <r> do i have u on fb?
369. <Yara> do u know what is meaning of calling eachother as bro and sis??means we have no a special purpose with anyone
370. <Yara> lol
371. <ShArk> sorry... no.. u r not in my fb
372. <ShArk> ya... thanks
373. <r> new fb sucks
374. <ShArk> aww.. congrats.. u r graduated
375. <r> ty ty
376. <solja> hey wassup ??
377. <ShArk> but u look sad.. why..?
378. <ShArk> just show ur teeth
379. <ShArk> lol
380. <ShArk> u don't brush them..?
381. <ShArk> wow.. u are an alien
382. <ShArk> tc
383. <solja> so what do u talk abt everytime u come here?
384. <solja> actually i'm going to my bed i wanna sleep even if we are in the morning
385. <jay> how are u?
386. <jay> hw was u r day?
387. <jay> how r u?
388. <jay> wer r u frm solja
389. <_baran_> h r u?

390. <_baran_> where are **u** from cool?
391. <_baran_> are **u** male?
392. <_baran_> may i know how old are **u**?
393. <_baran_> where are **uuuuuuuuuu**
394. <_baran_> are **u** dtudent solja?
395. <fuhrer> asking me **r u**, TETE?
396. <fuhrer> well Tete, where **r u** from?
397. <fuhrer> how old **r u** Tete?
398. <fuhrer> **u r** most welcome in here
399. <fuhrer> **u** can practice your english around here
400. <fuhrer> also thats what we **r** doing mostly
401. <fuhrer> so TETE, do **u** like the Barcelona team?
402. <fuhrer> yea, **u** can do that around here
403. <English> Hey **Bro**
404. <English> glad to see **ya** again
405. <fuhrer> so glad to see **u** toooo
406. <English> Thanks **bro**
407. <English> how's **ur** family and yours too?
408. <English> Thanks for caring dear **bro**
409. <English> thanks **bro**
410. <fuhrer> welcome to EC. **u** from?
411. <English> **wb** baran and veronica
412. <baran> **h r u**?
413. <fuhrer> **brb**
414. <English> **tyt**
415. <baran> and **u** tete?
416. <English> i thought **u** are italian
417. <Soulja_G> **sup** RG
418. <RG> **sup** swag :D
419. <English> **wb** rg
420. <RG> **ty**
421. <English> **wb** swag girl
422. <RG> then why the hell are **u** here?
423. <English> **hhhhh**
424. <English> **hhhh**
425. <Soulja_G> ahhhhh **cogratu**
426. <English> **wb** ali
427. <English> **wb** fici
428. <uuy> **u r** here armo >.>
429. <uy> where **r** the pics armo
430. <RG> **wb** julia :D
431. <ali> where **r u frm** veronica?
432. <English> **Wb** san
433. <English> **Wb** sham
434. <Soosisya_san> **ty** English)
435. <English> **Wb**
436. <English> I am **gonna** send it to **u**
437. <English> **Wb** swag
438. <English> **ur** net is kicked
439. <English> **Wanna** me swear
440. <English> **wb** Carmen

441. <Pancreas> loool
442. <aha> human sience lol
443. <Pancreas> u orall?
444. <English> wb Yara
445. <Yara> thank u english
446. <English> see ya later
447. <Pancreas> lol all leaving
448. <Pancreas> how are u yara?
449. <aha> yeayyy sup sardin???
450. <Yara> what about u
451. <Yara> u ate my portion i wont forgive u carmen
452. <Pancreas> yara am eating now btw
453. <Yara> bring back my portion u ate my delicious food
454. <Yara> i hate uuuu carmen
455. <Pancreas> yara i will make u new one
456. <e> how ru?
457. <Pancreas> how are u?
458. <Pancreas> im okayy u?
459. <Yara> i will come to u with my dagger
460. <Yara> directly stab u at the back
461. <e> how is ur study?
462. <e> dnt take tension
463. <e> all will be easy for u ...
464. <yayornay> How r u yara :)
465. <Yara> hi and how is ur eye lenses
466. <yayornay> Pncreas ? Lol :D
467. <Yara> just 5 days is left u will be free at all
468. <yayornay> I like ur nickname :)
469. <Pancreas> thx yayo
470. <yayornay> u r welcome :)
471. <yayornay> Oh I hope u get the highest score :)
472. <Mura> where u secret your enzyme ?
473. <yayornay> lol for what ? :D
474. <Pancreas> maybe i mixed stg :)
475. <Pancreas> soona lool :D
476. <yayornay> lol :D
477. <yayornay> I am sure abt that :D
478. <RG> hi ppz :D
479. <Pancreas> wb mr pm master
480. <Mura> hahah rg is master pm :)
481. <yayornay> How r u :) ?
482. <RG> when did u guys come?
483. <Pancreas> lool
484. <yayornay> lol :D
485. <RG> thnx.
486. <yayornay> I'm a little blind lol :D
487. <RG> lol. :D
488. <RG> how do u feel?
489. <RG> apart frm the blindness ?
490. <yayornay> lol I am okey sweety :)
491. <yayornay> I feel like there are lots of eyelashes in my eyes lol :D

492. <yayornay> and I didnt feel anything lol :D
493. <SURFER> where r u from?
494. <yayornay> I can be ur doctor lol :D
495. <yayornay> I will feel excited when I will be waiting for u on JFK :D
496. <yayornay> lol :D
497. <RG> omg !! :D
498. <RG> didnt go out with your frnds yay?
499. <yayornay> u mean america ?
500. <RG> noo...just like that, u knw...movie...dinner..
501. <RG> arnt turkish guys killing for u ?
502. <yayornay> u should ask them :D
503. <RG> c'mon :D..
504. <RG> am sure, there may have been many who would have approached u dear :D
505. <RG> lol :D..u will marry one of them :P..remem ? :D
506. <yayornay> I wanna have 10 kids :DD
507. <RG> isnt that too much, u will forget your kids names :P
508. <yayornay> lol maybe :D
509. <RG> your future husband better be a strong man :P..lol..
510. <RG> cu dear :D..
511. <yayornay> cu sweetie :)
512. <yayornay> Oh thank u :)
513. <Cutie> hhhh bye :p
514. <English> nice to know u
515. <English> just now u catch it up
516. <English> find ur own path
517. <Cutie> noo i get it before thats why i talk i dont wanna talk with you stupido;p
518. <English> C'mon
519. <English> then u are okay
520. <English> but u are angry
521. <nila> i'm fine and u?
522. <nila> 'every thing gonna be alright'
523. <nila> where r u from?
524. <en> h r u?
525. <marcela> how are u today?
526. <en> nila where are u from?
527. <nila> u en?
528. <marcela> Ok nila, thank you and how old are u?
529. <marcela> and what do u think about our movies?
530. <nila> r u student?
531. <marcela> ill be an accountant and u?
532. <nila> boo it's goood what do u want to be?
533. <halim> hey there how are u ???
534. <nila> halim ur name is a delisous food in my language
535. <halim> hahahaha Nila so ur frm Iran r India
536. <halim> aha gd 2 know
537. <halim> so how are u ???
538. <nila> and u?
539. <halim> doing pretty gd
540. <nila> boo don't u know what u like??????????/
541. <halim> so Nila ru std ???
542. <halim> aha gd one gd luck

543. <nila> hi amazing, **tnx** halim
544. <halim> **ur wcm**, hey amazing
545. <amazing> how's **ur** day going nila ?
546. <nila> good as ever:)what about **u** amazing?
547. <nila> **tnx** boo i wish **u** make the best choose an become succesfull:)
548. <nila> **tnx**:)
549. <nila> **u 2**
550. <nila> guys i **gotta** go bye **TC**
551. <Simo> Seems **u** are sleeping
552. <Simo> aren't **u** ?
553. <Simo> how are **U** ?
554. <linda> fine **ty** and you
555. <SURFER> how **ya doin**?
556. <RG> **lol**...
557. <Emmy> now you're joking rg **lol**
558. <RG> **u** dont like chicken ?
559. <Emmy> how are **ya**
560. <Sophia> how are **u** all ?
561. <Emmy> i am not uncle :O **lol**
562. <baran> **h r u** sophia?
563. <Sophia> **pls** help me ;)
564. <Uncle_Sardin> **hhhh**, sophia is just like me..
565. <Eve> Hi, how **r u**?
566. <Sophia> how are **u** ?
567. <pearl> can **u** please tell me
568. <Noob> am great, **u**?:))
569. <Uncle_Sardin> **hhh**
570. <Sophia> **sth** like zombia ;)
571. <Sophia> thank **u** i learn one too
572. <night> sorry , I just saw **ur** message
573. <night> where **r u** from?
574. <smartboy> where **u** all from ?
575. <smartboy> pearl **u r** welcome in india:)
576. <Sophia> you can , if **u** want , just start with a little spark
577. <smartboy> do **u** work in shifts pearl ?
578. <Sophia> emmy where are **u** from ?
579. <Lara> am good how about **u** Emmy
580. <Sophia> what about **u** vito ?
581. <Lara> where are **u** from ?Emmy
582. <pearl> nice vito, **congrats**
583. <Sophia> are **u** allowed to cheat in exam ;)
584. <Sophia> but **sth** its going fun
585. <Lara> am good how about **u** mrrodrigo
586. <Lara> nice to meet **u** mrrodrigo
587. <Lara> what's **ur** qualification mrrodrigo
588. <Lara> i mean what's **ur** job what do u do in life
589. <jay> **hw r u** all/
590. <Lara> am good how about **u**
591. <jay> im **frm** india emmi
592. <jay> **wer r u frm** emmi and lara?
593. <jay> **wassup**?

594. <jay> hw was ur day guyzz?
595. <Lara> it was Good Thx Allah
596. <jay> very warm whtr here
597. <jay> wer r u frm vito?
598. <Emmy> wb sardin :)
599. <smartboy> dubai must b hot too jay
600. <smartboy> emmy where r u from ?
601. <jay> wanna quit frm here
602. <smartboy> u must b cool there :)
603. <jay> wat u wanna know vma?
604. <smartboy> what will u do if u come to india :)
605. <smartboy> but we will not let u die emmy :)
606. <smartboy> lol
607. <Uncle_Sardin> hhhh
608. <Uncle_Sardin> hhhh, nah come Emmy!!
609. <smartboy> ok may b
610. <Emmy> lol how much questions about coffee
611. <smartboy> lol too :)
612. <smartboy> u will get whatever u want here emmy
613. <smartboy> india is big country u will get all here
614. <smartboy> food r good here
615. <smartboy> ya if u wish ;)
616. <Emmy> i'll take my mustard, rye bread and salmiac with me lol
617. <smartboy> lol
618. <smartboy> i think u know better than me
619. <smartboy> for that u have to come here dear :)
620. <smartboy> lol
621. <smartboy> ya this can b the reason :)
622. <smartboy> ya u r right emmy
623. <smartboy> u can come here for that reason also :)
624. <smartboy> me too, coz i m heath conscious
625. <smartboy> u have right to b fit & fine :)
626. <Emmy> wb rg
627. <RG> ty emmy :D
628. <smartboy> r u romantic rg ?
629. <smartboy> lol
630. <vma001> hey where r u frm?
631. <smartboy> lol emmy
632. <sundaraa> how r u
633. <smartboy> lol
634. <sundaraa> r u female
635. <smartboy> sundara r u female ?
636. <Emmy> NO PM
637. <Simo> u can't improved here
638. <Simo> here u chat
639. <vioO> H are u all?
640. <smartboy> u must not b visiting regularly simo
641. <Simo> If u don't get it then its ur fault
642. <vioO> we are fine violet...how about u?
643. <Emmy> wb again sardin :D
644. <Simo> I can't understand ur english !!!!!!!!!!!!!

645. <Simo> Lol

646. <Emmy> if u are not native speaker, i don't believe that you have perfect accent

647. <Simo> sometimes u have got to be cruel to be kind

648. <vioO> h are u ali?

649. <ali> fine tnx how about u vio

650. <Simo> where are u from ?

651. <vioO> wb simo

652. <Emmy> i am just joking everyone, sorry for that lol

653. <vioO> wb smartboy

654. <vioO> lol

655. <vioO> lol

656. <Artery> how are u?

657. <vioO> am fine and u dear?

658. <vioO> which book u read for anatomy?

659. <RG> hi ppz :D

660. <vioO> so now u're artery^^

661. <Artery> wb rgg

662. <RG> wb vio :

663. <RG> ty

664. <vioO> u like arteryyyy^^?

665. <RG> wb selena

666. <vioO> how are u RG?

667. <RG> am good :D..ty..

668. <RG> u vio ?

669. <smartboy> boiling eggs r more easy :)

670. <smartboy> lol

671. <smartboy> & it will b burnt food :)

672. <smartboy> emmy do u know cooking ?

673. <vioO> i thought u're baran!!

674. <nasim> h r u vioo?

675. <vioO> u're font nasim...

676. <vioO> rg do u know the indian series qabool hai?

677. <Oliver> Nd u?

678. <vioO> I'm sure u're baran:P

679. <Oliver> 4 how long have ya been drifting here around?

680. <nasim> what do u say vio?

681. <Oliver> U like it?

682. <Emmy> but what does that "nd" mean?

683. <Oliver> nd = and

684. <Oliver> U're from?

685. <Oliver> I was infavour with ur team

686. <vioO> hmm carm are u busy?^^

687. <vioO> wb ali

688. <ali> ty

689. <Oliver> But u MUST know

690. <vioO> lolzzz

691. <Oliver> I just live nd try to see only the best

692. <Emmy> lol

693. <vioO> master pm rest u're finger...:P

694. <Oliver> U're gonna learn it =)

695. <ali> heeeeeeeeeeeey iraninan girls calm down plz

696. <vioO> lol
697. <vioO> jealous are u?
698. <ali> baran ur nasim
699. <_baran_> noooooob h r u?
700. <Noob> great ty...u?
701. <ali> hhhhh yes sis
702. <Oliver> Can u buy any alcohol refreshments in Finland legal?
703. <ali> they r in pm (;
704. <Noob> ali ur using vpn ?
705. <vioO> lol
706. <vioO> RG busy carm busy noob busy baran busy lol
707. <Oliver> U like it?
708. <vioO> and all deny it lol
709. <vioO> lolzzzzzzzz
710. <Noob> just vio is in pm i thk :p
711. <vioO> baran u too i didn't forget:P
712. <Noob> i even dunno wht's the pm ..!!
713. <_baran_> am listening to u vio
714. <Uncle_Sardin> wb sophia
715. <Noob> wb shirin :))
716. <vioO> wb shirin
717. <RG> wb sophia :D
718. <vioO> all are in main just i'm in pm-.-
719. <Noob> lol
720. <RG> wb sofia
721. <Sophia> woww master pm
722. <vioO> rg back to u're pm-.-
723. <Sophia> how are u ?
724. <Noob> but u needed some blood ..yea?
725. <Sophia> haha yea
726. <smartboy> hi sophia , did u call me ?
727. <RG> wb angel
728. <Noob> vio i thk nasim is noob !!
729. <RG> why u sad?
730. <smartboy> hi sophia, did u call me ?
731. <vioO> RG don't think sooo plz:P
732. <vioO> lolzz
733. <smartboy> ya i ate already
734. <vioO> noob and rg give u're experiences about caves for ali^^
735. <RG> nt talk to me
736. <Noob> loooooooooolz..vioooooo
737. <smartboy> lol
738. <vioO> am not talk with u why u?-.
739. <RG> i dunno
740. <vioO> becuz u're in u're hmm cave!!
741. <ali> hhhhhhh loool
742. <_baran_> :*for u viooooooooooooooooo
743. <vioO> why u're face like this?
744. <vioO> :* back for u baran
745. <smartboy> emmy do u like fish ?
746. <ali> baran come back in ur cave :p

747. <vioO> lol

748. <vioO> RG see am talking but u're in cave--

749. <vioO> lol

750. <smartboy> u try emmy , u will start loving it :)

751. <ali> u think that?

752. <_baran_> do u see noob here?

753. <smartboy> emmy fish is good for health & u r health conscious ,i think

754. <vioO> wb baran

755. <_baran_> ty vio

756. <smartboy> do u like chicken emmy ?

757. <smartboy> lol

758. <smartboy> lol

759. <mahya> hahaha how active u are!

760. <vioO> hhhhh

761. <smartboy> chicken gives u more taste than eggs :)

762. <Noob> ok guyswht's up ?

763. <ali> hhhhhhhh

764. <_baran_> where are uuuuuuuuuuuuuuuuuuu?

765. <ali> loooooooooooooooooooooo!

766. <_baran_> where did u go?

767. <_baran_> why are u silent?

768. <Noob> we r here...

769. <vioO> yeah I know u're in pm:D

770. <Noob> ur commands are our wish !!!!

771. <RG> wb from pm carmy :D

772. <Artery> lool

773. <_baran_> maybe u r not here vio?

774. <vioO> u all are in main

775. <Artery> sophie wb :D

776. <vioO> & vio talking with herself in pm

777. <_baran_> i guess the topic is :are u in main or pm?

778. <vioO> lolzzzzzz

779. <vioO> that's our prob now

780. <vioO> we dunno where is pm & main

781. <ali> i think here is pm

782. <_baran_> raise ur hand

783. <_baran_> who is in pm?

784. <Sophia> mybe you were in pm

785. <ali> first Q where is pm???

786. <_baran_> u all

787. <_baran_> are in pm

788. <_baran_> becaz u answered so late

789. <vioO> I'm in pm exactlyyyyyy^^

790. <Noob> lol

791. <ali> hhhhhhhhhhhh

792. <ali> u don't scare of khorzo khan

793. <vioO> lolzzzzzzzzzz

794. <Sophia> hahah lol noob

795. <ali> hhhhhhhhhhhh

796. <vioO> & also it's talent show to guess who's in pm

797. <mahya> Sophia what do u do?

849. <Artery> yara see **u** tomorrow or soon!
850. <vioO> RG **u** miss meeee ?o.0
851. <ali> **looooo** vio
852. <Yara> i thought **u r** escaped because of me
853. <Artery> **lolz**
854. <Yara> how about **u** guys
855. <your> **hhhhh**
856. <Yara> **lol**
857. <Yara> my **bro** is a big problem for me
858. <jihanetta> so what is your **prob** yara
859. <Yara> my **bro** is sick again
860. <your> kho **bro**
861. <vioO> yara last night **u** killed meee **lol**
862. <Yara> **lol**
863. <Yara> and answer **u**
864. <Yara> better if **u** dont have
865. <Yara> **lol**
866. <vioO> yara i was talking with myself talking & talking then I undrestood **u** werent there^^
867. <Yara> **u** should be happy with my presence now
868. <Yara> **lol**
869. <Yara> nice to meet **u** jihan
870. <Yara> where **r u** from
871. <your> **kkkk**
872. <Yara> see **u** dear
873. <jihanetta> **hhhhhhh**
874. <jihanetta> i **wanna** ask you something
875. <Simo> how are **U** ?
876. <Simo> how are **U** ?
877. <Simo> I know **ur** game
878. <Simo> how do **u** know ?
879. <Simo> I'm not talking **abt u** Yara :)
880. <Yara> i know **u** always want to break me down
881. <Simo> how is everything with **U**
882. <Yara> **u** think its game
883. <Simo> Omg ! when I said Its a game was't talking about **U**
884. <Simo> have **u** got it ?
885. <Yara> review **ur** statements
886. <Yara> <Simo> I know **ur** game
887. <Yara> means **u r** really plaing games in **ur** life
888. <Simo> Not for **u**
889. <Simo> **Cos** she said my name
890. <Yara> sometimes **u r** impolite that's why i thought **u** meant me
891. <Yara> **hhhh**
892. <Yara> **u** still rude like before
893. <Yara> or **u** changed
894. <your> **hhhh**
895. <Simo> Ok , that's fine , I don't care otherwise Id be in need like you sound Now I'm really upset I always get angry when I talk to **u**
896. <Yara> just i gave **u** my attention
897. <Simo> how is **ur** Iraq ?
898. <Silvia> **lol**

899. <your> hhhhhhhh
900. <Yara> where r u from
901. <Silvia> lol
902. <Yara> no here on ur desir ,we just try by trying u can find out another one
903. <Yara> to call u on mobile
904. <Yara> lol
905. <Yara> u can talk about fb in main
906. <Yara> are u new
907. <Yara> u cant use bad word and ask any other social media
908. <tutum> uuu Dangerous Uncle. i like it
909. <Uncle_Sardin> wb Your
910. <hi> hiii dana hhh
911. <Patrick> lol
912. <tutum> wb Uncle.
913. <tutum> no i wanna be apodyktyczna : D
914. <siyim> any rain there??? lol
915. <Uncle_Sardin> thx Tum !!
916. <siyim> i bet u watched the rain again
917. <siyim> lol
918. <siyim> did u do anything fun
919. <siyim> lol
920. <Uncle_Sardin> lo, i typed that command before i got dc!!
921. <Pat_s_NERD> Cause i didnt use it also
922. <DNA> ok im going to go to swimming for u tomorrow
923. <siyim> thats not fair can u swim good?
924. <siyim> lol
925. <DNA> can u swimm
926. <siyim> lol
927. <siyim> u must be scared of something
928. <hi> be ghol khodeton lol
929. <siyim> hiiiiiii where r u?? hahaha
930. <siyim> lol no hiii

Datum: 10.6.2014

Čas: 18:40 – 00:05

932. <RG> when will u sleep?
933. <RG> lol..good :d
934. <RG> do u study?
935. <OhDiana> brb
936. <RG> what do u study?
937. <RG> lol..i dont knw ...P..
938. <RG> lol :P
939. <RG> havnt spoken to anyone frm baku..
940. <RG> u did ?
941. <RG> lol..P..
942. <RG> but thnx anyway :D
943. <RG> lol :P
944. <RG> wb julia

945. <RG> **u** cant blame her :P
946. <RG> **thnx** for sharing :D
947. <OhDiana> ah my net **u** didnt change
948. <OhDiana> and her **u** want to change ?
949. <OhDiana> **lol**
950. <OhDiana> **brb** ..
951. <RG> **wb** jul :D
952. <Yara> why **u r** using damn
953. <OhCyclone> **bcz** i love damn
954. <Yara> as **u** like but i dont love this word
955. <Yara> im sure **u r** using it for badness
956. <RG> or **pm** :P
957. <Yara> i dont love **pm**
958. <Yara> at alllllllll
959. <OhCyclone> **lol pm** master
960. <Yara> **pm** master
961. <Yara> who is **pm** master
962. <OhCyclone> rg is **pm** master here
963. <Yara> rguy how are **u**
964. <Yara> are **u** ok
965. <OhCyclone> **lol**
966. <OhDiana> **wb**
967. <OhDiana> and **wb** yara
968. <OhDiana> and **wb** others
969. <OhCyclone> **wb**
970. <RG> **omg**..yea..i just saw that yara :P
971. <OhDiana> **lol**
972. <OhCyclone> **lol** RG
973. <OhDiana> **u** didnt told me
974. <RG> **u** didnt tell anyone yara :P
975. <RG> how will we **knw**?..should we get a dream or something ?
976. <Yara> same to **u**
977. <RG> i thought **u** were not gonna talk to me
978. <Yara> see **u** friends
979. <OhDiana> **u** pick the topic
980. <OhCyclone> **lol**
981. <Yara> that topic was between **u** and cyclone i didnt like to interrupt **u** both
982. <Yara> others are busy with **pm**
983. <OhDiana> **u** should just interrupt
984. <OhDiana> **wb** l
985. <RG> **wb** cyc
986. <Yara> an are **u** ok
987. <Cyclone> **ty** r and oD
988. <Yara> **wb** fyclone
989. <Cyclone> **ty** fara
990. <Yara> what are **u** talking about
991. <Yara> are **u** in mood
992. <Yara> an all i got from **u u** picked up a love as a topic
993. <Yara> **wb**
994. <Yara> i wrote something for **u**
995. <OhDiana> i thought it is **ur** name

996. <Yara> that's why i dont wanna think of anyone
997. <Yara> do u know sometimes i have pity on him
998. <RG> i knw yara..
999. <RG> i just felt it, when u said nope :P
1000.<Yara> i dont wanna hurt an innocent guy like him
1001.<Yara> where r u from
1002.<Yara> are u ready to get marry with him
1003.<Yara> my family dont let me to be close with him so i dont wanna hurt him for long time being with him at the end
going to break his heart
1004.<Yara> i dont wanna make this sin
1005.<Crypt> LOL
1006.<OhDiana> ur own hand writing :P
1007.<Crypt> LOL Diana
1008.<Crypt> LOL
1009.<OhDiana> congrates
1010.<Crypt> Diana, it's congrats
1011.<Yara> nice font crypt i love this kinda of font
1012.<Yara> what is the name of ur font
1013.<OhDiana> *congrats
1014.<OhDiana> u just told the font
1015.<Yara> see u later
1016.<OhDiana> i am from ur heart
1017.<OhDiana> wb seany
1018.<horror> crypt are u crossfire ?
1019.<horror> no crypt it is a nick of sb here
1020.<Crypt> wanna fuck?
1021.<Crypt> lol
1022.<Crypt> Knock it off bro... seriously.
1023.<OhDiana> wb cool
1024.<Crypt> cuz they ar morons and idiots for spamming
1025.<OhDiana> wb LY
1026.<Crypt> cool123 relax LOL
1027.<Crypt> I'm not gonna bite you
1028.<ieva> lol
1029.<Crypt> I called you an idiot cuz I was pissed off at you... you were spamming in the chatroom...
1030.<nickname> Do i wanna know? i love the song
1031.<cool123> Ah. Do I Wanna Know... yes. I've heard that song.
1032.<Cyclone> lol cool
1033.<Cyclone> lol
1034.<Cyclone> lol An n n
1035.<Crypt> Nah bro
1036.<ieva>Baby I have been here before, I know this room I've walked this floor I used to live alone before I knew u
1037.<Crypt> You are werid... LOL
1038.<jojo> how are uuuu
1039.<Cyclone> nt a prob
1040.<Crypt> LMAO
1041.<Cyclone> lol nickname
1042.<jojo> u RE A CRAZY GIRL
1043.<jojo> HOW ARE U?????????
1044.<jojo> u are mre beautiful than THE WOMANCAT
1045.<ieva> lol crypt

1046.<jojo> i missed u
1047.<ieva> crypt ur rude....
1048.<jojo> in this state u are shekspear
1049.<jojo> u are hamlet
1050.<jojo> and u honey
1051.<RG> crypt, if your eng is so perfect, why dont u go to some other chatroom?
1052.<OhDiana> If ur a problem .. then dont cause problem to other
1053.<jojo> ok for u
1054.<jojo> pay attention to ur fucking words
1055.<jojo> respect urself
1056.<jojo> and we hope of u
1057.<greeek> anabella
1058.<Crypt> I usually troll on chat sites LOL
1059.<OhDiana> lol
1060.<Crypt> lol
1061.<jojo> someone u dont know her
1062.<ieva> RG...how was ur day? :)
1063.<jojo> u are a Good Man
1064.<jojo> do u doing?????????????
1065.<jojo> u waiting this answer an?????????????????
1066.<RG> u need a soothing massage
1067.<RG> lol :P
1068.<jojo> ur turn is coming
1069.<jojo> all of u
1070.<ieva> how r u?
1071.<Soosisya_san> lol
1072.<RG> did u know something?
1073.<RG> lol :P..
1074.<Soosisya_san> Ieva, writing a grammar book is harder than a story lol
1075.<Cyclone> lol
1076.<ieva> sure, dear lol
1077.<ieva> brb...who wanna coffee?
1078.<jojo> u look strange with purple
1079.<jojo> change ur colour
1080.<jojo> and ur name
1081.<RG> coz its made by ieva :D
1082.<ieva> then black without sugar...i ill be ur sugar loooool
1083.<RG> :P..lol...D..am a lucky boy :D
1084.<violet> last night no hi no bye u leave?..-
1085.<violet> how are u all?
1086.<Soosisya_san> lol
1087.<RG> lol soos
1088.<jojo> u have so many dresses
1089.<Soosisya_san> lol
1090.<jojo> anything u want?????????????????
1091.<Soosisya_san> here comes the song. here comes the sun.... here i come lol
1092.<violet> wb ieva
1093.<RG> lol :P..thnx dear :)
1094.<Soosisya_san> lol
1095.<ieva> new style lol
1096.<Simo> Lol

1097.<violet> then why cuz no one talk with just in this moment?
1098.<ieva> i sent pic to u RG...lol
1099.<ieva> there lol
1100.<Soosisya_san> lol
1101.<RG> but i didnt get a pic :P
1102.<ieva> in fb...
1103.<ieva> RG...i sent msg with pic in fb lol
1104.<RG> lol :P
1105.<RG> lol..)
1106.<RG> wb vio
1107.<violet> ty RG
1108.<Simo> anyone has a pr I can solve it for u
1109.<ieva> wb vivi
1110.<violet> ty ieva ieva^^
1111.<Simo> tell me what's ur problem ?
1112.<ieva> problem with my skull...lol
1113.<violet> as normar hantor what about u?
1114.<RG> lol..P
1115.<Simo> u don't remmember ?
1116.<ieva> i broke my skull...lol
1117.<Simo> u still alive ??????????
1118.<RG> lol :P
1119.<violet> wb jojo
1120.<Simo> hi nice how nicer are u ?
1121.<hantor> <violet> where r u from?
1122.<jojo> where are u????????????????????????????????????
1123.<Simo> ask him Lol
1124.<hantor> hey <violet> where have u gone?
1125.<Simo> u know
1126.<ieva> lol
1127.<Simo> u said badly
1128.<Simo> do u ?
1129.<jojo> what are u talking about?????????????
1130.<violet> ieva are u still there?
1131.<violet> lol...RG
1132.<jojo> whart did u tell an?????
1133.<violet> RG can i ask u sth?
1134.<ieva> im not pming RG lol
1135.<ieva> ieva never chatting in pms lol
1136.<RG> :P..lol..
1137.<ieva> only with u RG...♥ lol
1138.<violet> lol
1139.<RG> lol.. :*
1140.<Mohammad> an new form of lol
1141.<jojo> what s the meaning of lol??????
1142.<jojo> "lol"*****
1143.<jojo> u mean
1144.<violet> hhhh
1145.<DNA> how do u do ?
1146.<violet> RG are u there for mor Q?:P

1147.<violet> and **u** DNA?
1148.<ieva> he is vivi **lol**
1149.<violet> **lol**...ieva
1150.<jojo> how are **u** man
1151.<DNA> **u**
1152.<ieva> i told **u** vivi...he is here :)
1153.<violet> **lol**
1154.<RG> **u** will sleep :D
1155.<violet> **hhhhhhh**
1156.<ieva> im busy with somebody in other page **lol**
1157.<violet> noob did **u** hide yourself?:P
1158.<violet> **lol**...noob
1159.<ieva> oh if i will tell **u**...**u** will stay jealous R...**lol**
1160.<violet> and **u**?
1161.<violet> **lol** ieva...but really?o.0
1162.<ieva> **brb**...i must change my clothes :p
1163.<violet> **hhhhh** yeah:D
1164.<violet> iran & **U**?
1165.<violet> nice to meet **u**^^
1166.<siyim> **u** too
1167.<violet> **u** mean me to or **u** too?..**lol**
1168.<violet> noob rally u care about main here...**lolzz**
1169.<Noob> **lol**
1170.<violet> here reminds **u** that??
1171.<violet> **u** mean we are that dead bodies?..-
1172.<Noob> am talking **abi** that snoring ppl :P
1173.<violet> so **u** mean we are that snoring **ppl** who they are dead bodies???..-
1174.<violet> fine karen & **u**?
1175.<violet> noob...**lol**
1176.<Noob> **omg**..i **wanna** eat my humble pie vioooooooooooooo.....:))
1177.<violet> karen **u** from?
1178.<violet> where are **u** from?
1179.<violet> **hhhhh** noob:P
1180.<violet> so karen **u** from?:)
1181.<Noob> **yea**, if he has a sweet tooth, then he could be sweet :P
1182.<violet> noob so **u** know that...:P
1183.<violet> **wb** simo
1184.<Simo> How are **U** violet ?
1185.<violet> am fine & **U**?
1186.<Simo> **Thx**
1187.<fancydh> i need someone that **wanna** lose time with me speaking english
1188.<Simo> where are **u** from ?
1189.<violet> simo **u** just say coool...**lol**
1190.<jojo> **u** are from usa
1191.<violet> karen what **u** mean?
1192.<Simo> did **u** check **ur** DNA **LOL** ?
1193.<Simo> **esp** with breed !!!!!!!!!!!!!
1194.<Simo> what did **u** find ?
1195.<Simo> I like banana juice **Lol**
1196.<violet> **lol**
1197.<Simo> **Lol**

1198.<Simo> have u ever heard of DNA JUICE ,
1199.<violet> so u're from spanish karen
1200.<siyim> lol simo
1201.<violet> hmm karen...nice to meet u^^
1202.<jojo> nice to meet u
1203.<siyim> lol
1204.<DNA> did u feel siyim
1205.<DNA> ok i will sent u a ticket to turkey
1206.<DrAM> Do u recommend it to us Tori and siyim ?
1207.<Simo> naygirl for pl Lol
1208.<Simo> any girl for pm
1209.<RG> wb sardin :D
1210.<ieva> wb fishy :)
1211.<Uncle_Dragon> thx ieva
1212.<RG> lol.. ok
1213.<RG> c'mon..
1214.<RG> lol ok :)
1215.<Uncle_Dragon> ok ppl am leaving
1216.<Uncle_Dragon> See ya tomorow!!
1217.<RG> u too :)
1218.<handthing> Lol
1219.<Simo> are u funny ?
1220.<siyim> hahaha lol
1221.<Simo> a lot in common we have Lol
1222.<DNA> where r u from simo
1223.<Simo> Lol
1224.<Simo> wanna come back room
1225.<Simo> wht do u call it
1226.<DNA> see u fani
1227.<Simo> I thought she was jokking ! lol
1228.<Simo> have u found a boyfriend yet ?
1229.<DNA> lol
1230.<Simo> Lol
1231.<Simo> I as told you were looking for a bf
1232.<siyim> who told u that
1233.<siyim> DNA lol
1234.<Simo> By the way where are u from ?
1235.<Simo> DNA has nothing to do with that Lol
1236.<DNA> lol
1237.<siyim> simo u never said where u are from
1238.<siyim> lol handthing??? whattt
1239.<Simo> why on earth are u lonly ?
1240.<DNA> you r not lonely come on girl :D
1241.<siyim> simo u will scare her away
1242.<siyim> lol
1243.<Simo> i'm having her in pm shhhhhhhhhshhhhhh
1244.<DNA> what do u do simo
1245.<Simo> do u ?
1246.<DNA> how old r u
1247.<Simo> Lol
1248.<DNA> where to u

1249.<Simo> have **u** found a **bf** yet ?
1250.<DNA> nothing **u**
1251.<Simo> I was looking for **u** darling
1252.<Simo> **wht** not siyim
1253.<Simo> what s wrong with **u** ?
1254.<Cutie> **hhh** :p no maybe i just dont **wanna** stupid one? :p im dot desperate goshhh xD
1255.<handthing> **ty**
1256.<Simo> have **u** found a **bf** Yet ? Nina
1257.<nina> how are **u**
1258.<Simo> **thx**
1259.<nina> **u** are welcome
1260.<handthing> I **wanna** get a nosebleed and drip it on my Wreck this Journal XD
1261.<DNA> **ihhhhhhhhhh**
1262.<DNA> **wb** kongoro
1263.<Simo> see **u** all
1264.<DNA> **u** can bite yourself
1265.<jessy> **lol**
1266.<DNA> **lol**
1267.<DNA> **wb** seta

Datum: 11.6.2014

Čas: 19:30 – 00:00

1268.<OhDiana> **wb** RG :P
1269.<vioO> diana still **u**re here...-.-
1270.<vioO> **hhh**
1271.<OhDiana> **lol**
1272.<vioO> yes **u**'re here^^
1273.<OhDiana> **u** cant see me ?
1274.<vioO> **dunno**
1275.<OhDiana> on the **tv**
1276.<vioO> **lol**
1277.<OhDiana> **u** called him ?
1278.vioO> **lol**
1279.<vioO> i **dunno** he come or not-.-
1280.<vioO> how are **u** RG?
1281.<RG> **ty.**
1282.<OhDiana> **lol**
1283.<vioO> **lol**
1284.<OhDiana> **u** r in his pocket
1285.<vioO> **lol**
1286.<RG> **lol**
1287.<wilo> what is **lol**
1288.<OhDiana> **lol**
1289.<OhDiana> **u** ?
1290.<RG> oh..**kk**...)
1291.<vioO> what happened to **u**?
1292.<OhDiana> **lol**
1293.<RG> oh..**k**...
1294.<OhDiana> **lol**

1295.<vioO> jk
1296.<OhDiana> i ll be with u in my dream
1297.<OhDiana> wb cutie.. tutumm
1298.<vioO> lol
1299.<vioO> wb cutie
1300.<OhDiana> i ll meet u tomorrow
1301.<OhDiana> vio00 .. if u ll be leaving in a long time.. i mean for exams
1302.<RG> brb
1303.<Aex> how r u vioo?
1304.<vioO> fine & U?
1305.<Aex> where ru from?
1306.<vioO> iran & U?
1307.<vioO> nice to meet u^^
1308.<vioO> what do u do aex?
1309.<Aex> nice to meet u too
1310.<Aex> and what about u?
1311.<vioO> how are u?
1312.<RG> bck
1313.<vioO> dunno alex...^^
1314.<vioO> wb
1315.<RG> are u new?
1316.<vioO> RG u remember angel...?
1317.<RG> melinda when were u last here?
1318.<RG> lol...she is crazy :p
1319.<RG> lol...forget abt her :d
1320.<vioO> lol
1321.<vioO> dunno RG 0.o
1322.<sofia> plis<RG> hope u find a good teacher..s
1323.<RG> u just came bck :D
1324.<Cutie> btw Pat, he was here? :d
1325.<RG> i dunno
1326.<Cutie> hhh noo ;p but i didnt talk with him long :D
1327.<Cutie> with you also btw ;d
1328.<Cutie> cause we didnt talk :D
1329.<RG> wb viooo
1330.<violet> ty rg
1331.<Cutie> hhh poor Rguyyyy :d
1332.<RG> u may have heard of toefl
1333.<RG> wb vio :D
1334.<violet> ty RG
1335.<Cutie> hhh he is :D
1336.<RG> wb cutie
1337.<Cutie> thx :)
1338.<violet> wb
1339.<Cutie> thx Vio ;p
1340.<Cutie> hhhhh awww sweet ;d
1341.<RG> coz its boring..
1342.<violet> RG u have exams too??
1343.<RG> tc, good night :)
1344.<violet> & what about u mohammad?
1345.<violet> u just love sour cherries...lol

1346.<violet> and now u're eating?-.
1347.<Mohammad> yes I am lol
1348.<violet> don't u think poor violet want it too --
1349.<violet> mahammad u came back iran...?:P
1350.<violet> no u weren't:P i think 3 days ago...
1351.<violet> tell me u were or not...then i will tell u!:P
1352.<violet> moh what do u do?i mean study or work...
1353.<violet> plz stop eating cherry...(
1354.<Mohammad> ok fine lol
1355.<violet> so how old are u?
1356.<violet> u can't guess cuz busy with that cherries-.
1357.<violet> and i thought u're younger than me
1358.<violet> what should i do still i think u weren't iran...:P
1359.<violet> dunno how many days ago...
1360.<violet> u just tell me u were or not?
1361.<violet> so now u are busy with exams?
1362.<Mohammad> I'm gonna be busy
1363.<violet> mohammad why u answer like robot 0.o
1364.<Mohammad> lol
1365.<violet> again u watched news --
1366.<violet> moh is that imp for u??reallyyyy 0.o
1367.<Mohammad> I just wanna know if Mexico is exaggerated in the movie !
1368.<violet> lolzz
1369.<violet> lolz
1370.<violet> so tonight u can't sleep
1371.<Mohammad> lol
1372.<violet> & u?
1373.<violet> no just u have in u're city --
1374.<violet> plz tell me what is ili again...--
1375.<violet> u have prob with them?
1376.<violet> u like serious chatting but i don't like...
1377.<violet> i think that's prob
1378.<violet> excuse me Mr moody plz tell me u're mood now?
1379.<violet> and now i make u crazyyyy?
1380.<violet> lol
1381.<violet> but always i see u serious
1382.<ali> wb ali
1383.<violet> wow too late u join...
1384.<violet> how are u ali?
1385.<ali> how about u
1386.<violet> ali today u had a busy day:P
1387.<violet> lol
1388.<violet> wb
1389.<violet> ty violet
1390.<Mohammad> this ;) is my ty :D
1391.<violet> free ppl in the world
1392.<violet> wb
1393.<ali> ty sis
1394.<Mohammad> on fb
1395.<violet> all are in fb...
1396.<violet> lol moh

1397.<violet> u know things huh?
1398.<violet> tell me are u sure u were iran??
1399.<TatiMafla> How are u?
1400.<violet> i'm sure u will kill me
1401.<Mohammad> I'm gonna quit if you ask that one more time !
1402.<TatiMafla> i'm from Ecuador and u?
1403.<Mohammad> lol
1404.<violet> no prob raaaa
1405.<Mohammad> lol
1406.<violet> i disturb u moh -.-
1407.<Mohammad> don't disturb me vio....lol
1408.<violet> how is u're bro?
1409.<violet> see u all later...
1410.<jojo> how are u guys??????????

Datum: 12.6.2014

Čas: 20.05 – 00:00

1411.<ieva> we r living together lol
1412.<vio0> lol
1413.<vio0> no in pm room
1414.<ieva> hhhhh no...u think that we have only this room? lol
1415.<Rguy> lol. :d
1416.<Simo> Don't see u all
1417.<ieva> lol
1418.<Simo> lol
1419.<Rguy> waiting for u to leave :P
1420.<Rguy> yw :)
1421.<vio0> ieva u have daughter?
1422.<ieva> r u in fb vivi?
1423.<ieva> pffff mans....lol
1424.<Rguy> lol..ieva
1425.<Rguy> am here for u, for sometime :d
1426.<ieva> i will catch u in fb...;))
1427.<vio0> lol
1428.<ieva> c ya R... :*
1429.<Rguy> cu dear
1430.<Cutie> hhh poor Brasilia ;d
1431.<kindguy> I ask you sth, Rguy
1432.<Cutie> Croatia is beautiful.. i wanna go there someday :c
1433.<vio0> u ask from who 0.o
1434.<vio0> ithink cuz i'm not fan of football:P
1435.<vio0> here ppl start screaming
1436.<Cutie> hey i gttta go xd brb :p
1437.<violet> putti are u from croati or with croatia?
1438.<violet> lol
1439.<violet> how are u yara ra?
1440.<Yara> fine what about u violett
1441.<violet> oh u're here^^
1442.<violet> black u mean?

1443.<violet> hhh nope kindguy:P
1444.<violet> lol putii
1445.<violet> u mean violet?
1446.<violet> how old are u all?
1447.<ieva> lol
1448.<violet> lol
1449.<violet> or maybe busy in pm:P
1450.<violet> what's the meaning...cuz putti is from spain...
1451.ieva (94.186.61.17) Quit (TC and C ya :))
1452.<ieva> one more time....lol
1453.<violet> move kiss for u and u're daughter^^
1454.<violet> but i dunno
1455.<violet> no u're wrong here is like other country
1456.<violet> we have ppl who don't care about every thing...
1457.<violet> what do u mean?
1458.<violet> lol
1459.<kindguy> who is watching the soccer match on tv?
1460.<violet> wb yara
1461.<violet> oh u're wrong kindguy
1462.<Yara> kindguy i heard something about iran's clothes but i dont wanna share it
1463.<kindguy> because I hav that impression
1464.<violet> what do u heard yara?
1465.<violet> guys i'm here...why u think like that...
1466.<Yara> u have to know about that there is bad and good in every where
1467.<violet> cuz they don't know ...
1468.<violet> change it plz^^
1469.<Yara> violet i told u that there is bad and good girl in every where
1470.<sweetguy> im good u?
1471.<sweetguy> in which place u love there??
1472.<Yara> hhh
1473.<sweetguy> yes u apple?
1474.<sweetguy> i mean u live??
1475.<violet> what a Q apple...lol
1476.<Yara> hhhh
1477.<sweetguy> apple .. u live in Captel or wahran or where??
1478.<violet> take care u all
1479.<sweetguy> im 22 years and u guys??
1480.<Yara> see uuuu soon
1481.<Yara> why u have stolen my age
1482.<violet> cuz exams starting soon
1483.<sweetguy> apple .. in which place u live in Algeria??
1484.<sweetguy> why apple ? r u girl or boy??
1485.<sweetguy> hahahah sorry i thought that u r boy ^_^
1486.<Yara> where have u been
1487.<rina> gud n u
1488.<sweetguy> Apple plase r u red apple or red apple :P
1489.<sweetguy> see u take care ^_^
1490.<sweetguy> hey tell us what r u studying??
1491.<sweetguy> thanx ... r u Smart??
1492.<sweetguy> thanx u too
1493.<sweetguy> u too ^_^

1494.<sweetguy> ok as **u** like ^_^
1495.<kindguy> sweet guy you should turn on your **tv** and watch the match
1496.<sweetguy> **thanx**
1497.<sweetguy> what **u** mean?

Datum: 13.6.2014

Čas: 00:01 – 03:15

1498.<sweetguy> what **u** mean?
1499.<sweetguy> nice to meet **u** guys
1500.<sweetguy> see **u** kindguy ^_^
1501.<hana> **wbb** kika
1502.<Simo> How are **U** ?
1503.<Simo> where are **u** from ?
1504.<Simo> **wher** **u** from ?
1505.<Pivot> Hi friend :) **hw ar u**?
1506.<kindguy> on **tv**, he said we are here in south Africa...oh sorry, here in Braziñ
1507.<Pivot> Hahah, did **u** watched the match on comobian **Tv**?
1508.<Pivot> Az **plz** speak English, And Wa Alikom Salam **bro**
1509.<Pivot> Kid ar **u** from Colobia right?
1510.<Pivot> i see, but i hv surprised when i saw what **u** wrote
1511.<Pivot> **u** said Wa alikom salam haha
1512.<Pivot> i see, but **u** have a mistake we don't say malikom just Alikom without M
1513.<Pivot> Yoyo, just because im happy, don't **u** want me to laugh ? ^^
1514.<Pivot> where did **u** gone ? Berlin!
1515.<Pivot> yeees, what was the way that **u** used it to improve ur english? Kind
1516.<Pivot> tell me what did **u** do from the biginner
1517.<whitesnow> and **u**?
1518.<Pivot> but **u ar** lucky to find native speakers to correct **ur** mistakes (y)
1519.<Pivot> haha do **u** speak french E.S?
1520.<Nando> **brb**.
1521.<Pivot> S.E **ar y** from France?
1522.<Pivot> i see soorry so tell me what **u** mean,
1523.<spanishenglish> **llolol**
1524.<spanishenglish> i am joking **lollllol**
1525.<spanishenglish> **lol**
1526.<Rossy> spanglish do **u** like Brazil???
1527.<whitesnow> **omg**
1528.<spanishenglish> **lol**
1529.<spanishenglish> **lol**
1530.<Rossy> kindguy I agree with **u**
1531.<Rossy> oh my god I told **u**
1532.<Rossy> have **u** been here KG?

1580.<hana> **thinkss** smartyy
1581.<smarty> actually i know who **r u** & **ur** from , but i wont tell **u** ;))
1582.<hana> so smarty i know **u** ?
1583.<smarty> dont **b** sad hana , i m happy :))))))
1584.<hana> **wbb** ali
1585.<hana> and **u** ?
1586.<smarty> **coz** cat has drunk hana's milk :)
1587.<smarty> hana **u r** sad no, how can **u** laugh :)
1588.<hana> **u r** really smart **hhhh** :))))))
1589.<smarty> oh **u** can laugh too when **u r** sad :)
1590.<hana> no not me **u** smartyyy :)
1591.<smarty> cat **u r** sad too :)
1592.<hana> **hhhhh**
1593.<smarty> why all **r** sad here :)
1594.<hana> **bcz** of **u** smarty :(
1595.<smarty> **lol**
1596.<smarty> **u** cant see me happy :)
1597.<hana> **lol**
1598.<smarty> see other happy & **b** happy :)
1599.<hana> badcatt **wbb** :)
1600.<smarty> **lol**
1601.<hana> **wbb** mohamed
1602.<hana> **hhh**
1603.<hana> badcat **wb** it means welcome back :))
1604.<Badcat> **thx**
1605.<hana> **u** welcome badcat :))
1606.<smarty> uncle **u r** great **u** got me
1607.<Uncle_Sardin> **brb** am lagging
1608.<Uncle_Sardin> **hhh**
1609.<smarty> cat **u r** no sad any more :)
1610.<smarty> hana where **r u** ?
1611.<smarty> i m here **u** where ? :)
1612.<Reshma> smarty.. **u** were absent @mrng
1613.<hana> **sryy** i was awayy :)
1614.<hana> **hhh**
1615.<hana> **wb** reshma
1616.<smarty> **wb** hana
1617.<smarty> were **u** here reshma in the morning ?
1618.<Reshma> mmm.. **u** lied
1619.<Reshma> that **u** were here
1620.<smarty> how is **ur** mood today reshma ? :)
1621.<smarty> better than **b4** :)
1622.<Cyclone> i was on **brb**
1623.<artgirl> **lol** go away i didnt
1624.<artgirl> they liked the post about rain **loolll**
1625.<artgirl> **lol**
1626.<hana> my turn nowartgirll hiii :)where **r u** from **ur** age **ur** name **wht u** study :)
1627.<Cyclone> **wb** beornottobe
1628.<hana> haappy to meet and know **u** artieeee :))
1629.<hana> **wbb** eor and tobe
1630.<hana> **hhhh**

1631.<artgirl> cuz i might study abroad?
1632.<Cyclone> plz*
1633.<artgirl> loooolll
1634.<Cyclone> wb alessandro
1635.<artgirl> brb i might have to come back
1636.<Cyclone> lol
1637.<Cyclone> lol
1638.<Cyclone> wb cool
1639.<Cyclone> omg
1640.<hana> whts tht cat !!!!:0
1641.<Cat> seee ya
1642.<Cat> do you wanna play a snowmaan?
1643.<Cyclone> wb artiee
1644.<Cyclone> wb artiee
1645.<Cyclone> lol
1646.<uy> hi art, i'm uy, n i'm 5
1647.<Cyclone> ah its Linda's b day tomo
1648.<Cyclone> wb dram
1649.<Cyclone> show me your pic
1650.<uy> dont do that art, he will voodoo u
1651.<hana> see u later allsalam :)
1652.<Cyclone> ok ty
1653.<Cyclone> then again u will unfollow me?
1654.<Cyclone> wb ang
1655.<uy> lolololol
1656.<Angiee> ty cye :
1657.<Cyclone> lol
1658.<Angiee> y u wanna follow him ?
1659.<artgirl> i am gonna go
1660.<Angiee> i thot to highway u :P
1661.<Cyclone> you were on brb right?
1662.<Angiee> i mean BRB
1663.<Cyclone> TYT angie
1664.<Cyclone> lol
1665.<Angiee> wc karan
1666.<Angiee> ya?
1667.<Cat> ya
1668.<Angiee> hmm m bored wat abt u cat ?
1669.<Cyclone> lol ya
1670.<Angie> but wine is kinda okie
1671.<Cyclone> wb Shakya
1672.<Jay> there u go
1673.<Angie> ehhehe thnxie jay
1674.<Cyclone> yea
1675.<uy> shakya supun was looking for u
1676.<Cyclone> i m fine ty
1677.<Cyclone> u ?
1678.<Angie> jay m sick coz no1 is talkin to me
1679.<Jay> lots of wine in da house
1680.<Cyclone> no1?
1681.<Angie> m not alcoholic

1682.<Cyclone> who is **no1** ?
1683.<Angie> **no1 = u**
1684.<Cyclone> **lol**
1685.<Angie> ok jay **thnx**
1686.<Angie> byeee **tc**
1687.<Angie> **lol**
1688.<Angie> **thnx** jay
1689.<Cyclone> **wb** sheryl
1690.<Jay> so chocs, why **u** bored
1691.<Angie> HMM **coz no1** is **talkin** :P
1692.<Jay> what do **u** want to talk about
1693.<Angie> **lol**
1694.<Angie> jay **u r** from burma ?
1695.<Angie> **wat** shld i do if an likes it? @ cyc --
1696.<Angie> **m** from india
1697.<Angie> **lol**
1698.<Angie> i wll ask tht first **lol**
1699.<Angie> **lol**
1700.<Angie> **lol ya** ;)
1701.<Angie> yuk jay **lolz**
1702.<Angie> **y** sad? :O
1703.<Jay> have **u** finished ALL the chocs I gave you earlier?
1704.<Angie> **BRB**
1705.<Jay> **u** like queen an?
1706.<Jay> **wb** chocs
1707.<Angie> **thnxice** jay
1708.<Jay> will **u** join me?
1709.<Angie> hey ll watch **ur** words
1710.<smarty> **ya** brand new cyc ;)
1711.<Cyclone> **lol**
1712.<Cyclone> **wb** CB
1713.<smarty> uy i m wake up & **r u** sleeping ?;)
1714.<Angie> **lol**
1715.<Cyclone> **yea**
1716.<Cyclone> **wb** r
1717.<Cyclone> **idk** whats going on
1718.<An> **tytytytytytyyyyyyy**
1719.<smarty> where **r u** an ?
1720.<smarty> where is **ur** cat ?
1721.<nicegirl> where **r u** from?
1722.<smarty> **u** ?
1723.<smarty> **thnx** yara;)
1724.<smarty> **wb** reshma
1725.<Yara> **hhhh**
1726.<smarty> so we all **r** kid here , all **r** kidding ;)
1727.<nicegirl> no just **u** and me smarty
1728.<Yara> me also i have respect for every God over all the world because there are many,i dont **wanna** be disrespect
infront of them ,**u r** free if **u** do believe or not ,at the end **u** will release which one is right ;)
1729.<nicegirl> ok lets talk **abt** danceeeeeeeee
1730.<smarty> **lol**
1731.<Yara> smarty i dont take things seriously but as a friend i used to tell **u** how the heaven place is

1732.<Yara> tell me where **r u** from
1733.<Yara> i have seen **u** so many times
1734.<Yara> but i couldnt talk ewith **u**
1735.<Yara> **hhhh**
1736.<Yara> **hhhh** no i dont hate anyone
1737.<Yara> **hhhhhh**
1738.<Yara> because hate leads **u** to l**
1739.<Yara> **hhh**
1740.<Yara> i never misunderstand people chaterbox **u** have **ur** own value infront of my sight
1741.<Yara> its my pleasure to be **ur** friend dear **sis**
1742.<Yara> **hhhh**
1743.<Chatterbox> **lol**
1744.<smarty> **coz** we **r** nice kids nice girl ;)
1745.<Yara> i dont **wanna** dance since rude boy around us
1746.<Yara> **hhhhh**
1747.<smarty> **u** dance good nicegirl ;)
1748.<Yara> why **u** all are busy in **pm**
1749.<stephanye> do **u** like latin music
1750.<Yara> **hhhhhh**
1751.<smarty> **u** can talk **abt ur** nephew yara ;)
1752.<Yara> he is crazy like **u**
1753.<Yara> **hhhhh**
1754.<smarty> yara **u r** laughing like crazy ;)
1755.<smarty> **ur** jeans must have come in **ur** nephew yara ;)
1756.<smarty> **ur** nephew must not **b** smart like me other wise he wouldhave slapped **u** back ;)
1757.<nicegirl> bye yara and smarty see **u**
1758.<Yara> **hhhh**
1759.<Yara> just stay in **pm**
1760.<smarty> **wb** cyc
1761.<Cyclone> **ty** smart
1762.<uy> **coz u** busy in **pm**
1763.<Cyclone> **kk**
1764.<Cyclone> **wb** CuteM
1765.<uy> **lol**
1766.<smarty> can M **b** cute ?;)
1767.<smarty> uy **r u** boy or gorl ? ;)
1768.<uy> **u r** dumdum
1769.<uy> **u r** smart, smarty, find **d** answer
1770.<smarty> **u r** fart uy ;)
1771.<smarty> cutie **r u** sad ?;(
1772.<uy> **coz u** guys cant be separated
1773.<uy> **lol**
1774.<smarty> we **r** in search of topic goska ;)
1775.<uy> **brb**
1776.<Cutie> **hhhh** Cyc meh ;p
1777.<Cyclone> **hb** uy
1778.<Cyclone> **lol** Artiee
1779.<Cutie> **hhhh** ok just you did Kd ;p
1780.<Princess> i **wanna** drive to the sea side
1781.<Princess> and **cuz** i didnt get much sleep i feel weird
1782.<Cyclone> **lol** artie

1783.<goska> vat ones
1784.<Cyclone> vat is on sale
1785.<Cyclone> and st is on service
1786.<Cyclone> lol cutie
1787.<artgirl> lol
1788.256. <uy> do u guys see full moon now?
1789.<Cyclone> lol cool
1790.<goska> cyc im emphate for u
1791.<uy> how to train ur dragon
1792.<uy> lol
1793.<Cyclone> lol what a videoooooooooo
1794.<uy> cool, i know. u r fan of coffee :3
1795.<uy> ok, then u r tea fan
1796.<Cyclone> ya most of us
1797.<Cyclone> lol artiee
1798.<uy> cool, i dont like coffee n tea
1799.<uy> u will drink gasoline too, cyc?
1800.<uy> u will die first
1801.<uy> some1 bigger than u will smack u down
1802.<uy> lol
1803.<uy> i dont wanna die young
1804.<Cyclone> ty
1805.<Cyclone> lol cool
1806.<uy> lol cool, what do u eat than?
1807.<uy> u order ur food?
1808.<uy> i dont believe u cyc
1809.<uy> u will black mail me >>
1810.<uy> coz
1811.<uy> i'm lazy to open new tab
1812.<uy> u open that n show me
1813.<Cyclone> ok you fb opened?
1814.<uy> lol
1815.<Cyclone> hi yusuf i am find ty
1816.<yusuf30M> u
1817.<Mohammad> u

11. 2. Czech chat room samples

Datum: 8.4.2014

Čas: 18:57 – 23:20

1. 23:17:50 **1.kakaja:** EwicKaa14: jvm. Už to s ním jinak neš!
2. 23:08:24 **1.kakaja:** puntykmali: jj, ale asi ti ještě nedocvaklo proč.
3. 23:07:23 **chces.fotky.a.masaz:** loooooooooo no pač tu zdechl pes
4. 23:05:31 **puntykmali:** 1.kakaja: tys mi psal první „už nevíš? tak stím jdi k lékaři a na mě pa)
5. 23:04:30 **Zrznaa:** chces.fotky.a.masaz: tos mi to nandala teda :))) lesbička jsi tu očividně jen ty...
6. 22:56:45 **puntykmali:** EwicKaa14: a už mi nepiš, bo mě unudíš pa)
7. 22:53:06 **1.kakaja:** Hej klídek, bo segra za se
8. 22:51:54 **John-90->Maynda:** hoj
9. 22:44:50 **1.kakaja:** EwicKaa14: jj, to je fakt. A co Ty? Nějaké
10. 22:26:17 **dagondrive_je_kreten:** wtf
11. 21:49:25 **katisek604:** Srry všem to byl omyl
12. 21:24:46 **Truel->Maynda:** hoj, jak je? :
13. 20:30:13 **EwicKaa14:** H-o-L-L-y-w-O-o-D_ : Neumíš němčinu? však je lehká :D ..já měla jít na školu v německu, jenže se stěhuju z5 do čech takže to padlo.
14. 20:26:57 **EwicKaa14:** H-o-L-L-y-w-O-o-D_ : Nz :) A tak to dáš ne, si celkem chytrý kluk :D
15. 19:59:08 **Zrznaa:** tomasek: brou
16. 19:55:19 **Gaylord-Jebal:** AhojQy lásQy moe mijowaný, Váš Sebastiánek je tuu.
17. 19:46:42 **MyRddA:** Zrznaa: nwm-nemám zkušenost
18. 19:43:53 **Zrznaa:** KasumiJedai: byl tu půlpanič, ale dopo :(
19. 19:19:32 **tomasek:** myrdda jj
20. 19:10:33 **pepulinda:** hoj někdo na pokec ?
21. 19:07:56 **H-o-L-L-y-w-O-o-D_ :** gol tvl)Jebat

Datum: 9.4.2014

ČAS: 21:05 : 00:02

22. 23:50:36 **Scipio:** kuk.holky: jj udělej mi moučník
23. 23:48:37 **juryn:** ska-girl: páč mám hovno,víš? a su socan
24. 23:48:15 **Techtrancer:** hhaannuullaa: jj na wc malou potrebu
25. 23:47:18 **Michal_Rehak:** hhaannuullaa: si kup p a ne telefon pizdo
26. 23:46:30 **hhaannuullaa:** ty wle snad uz se to nebude tak deb*lne sekat
27. 23:45:48 **juryn:** ska-girl: již dávno ne a to mě sere etě víc
28. 23:42:58 **juryn:** ska-girl: jak si na mě sim tě přišla?
29. 23:42:02 **juryn:** ska-girl: v poho,jen sem dodal svoji pravdu nad pravdu
30. 23:41:03 **Michal_Rehak:** crispello: ty jsi pochva tvl
31. 23:40:50 **Thriiish:** a to bejs nevíš, že mám v jazyku pierc :D
32. 23:40:37 **uryn:** ska-girl: dík,tj tak naschvál
33. 23:39:03 **uryn:** ska-girl: hoj terko
34. 23:38:20 **rispello:** juryn: hoj doktore
35. 23:37:28 **uryn:** beisis: hoj bejsko
36. 23:36:45 **uryn:** Thriiish: hoj patričko
37. 23:31:05 **aklonovanej_on-off:** Michal_Rehak: nj musím zamestnat i druhou ruku
38. 23:28:23 **ipio:** SNUPTYCHL: voe
39. 23:25:33 **cpio:** SNUPTYCHL: Ešte neco než půjdeš???

40. 23:24:44 Daenerys.Targaryen: pccc: Díky. :D
41. 23:19:28 nutna_barbinka: pujdu na cigu
42. 23:13:26 enda: mmnt změna hash
43. 22:57:59 TTESTO: co je do pcio
44. 22:54:34 aklonovanej_on-off: ska-girl: nj ale že si ženská se pozná
45. 22:50:38 KiRMiSeK: venda: neva :D já je ráda varuju předem :D
46. 22:49:31 .Dee: venda: to je logické .. ae přes to raději upozorní kdyby ji třeba náhodou sledoval co víš
47. 22:46:41 cipio: Techtrancer: bude sraz v hospě??
48. 22:35:05 appy613: Rodrigo1: omg
49. 22:28:37 oxie_candy: bry večer
50. 22:26:56 ESpak->Maynda: btw, moc ti to slusi ;)
51. 22:25:07 Daenerys.Targaryen: Andel_Jirka: Tys to nevěděl? No teda Jirko! :p
52. 22:24:08 Daark: Najdu MORAVANDU co by neco podnikla? Foto i auto mam dojedu!!!
53. 22:22:42 appyTreeFriends: Chickabiddy: tos přehnalá
54. 22:17:36 Dee: mmnt
55. 22:12:30 I3happy: hele twigy a její dietní moudra LOL
56. 22:09:26 racefullady: a ted jdu se svlct dat cigu a pak se vam budu venovat:-)

Datum: 9.4.2014

Čas: 12:31 – 18:50

57. 18:27:33 MrBBO2: lol jak se to chova:-))
58. 18:25:29 inka10: Members1: ty nemas uctu k zene bo co?
59. 18:16:45 petrdumbi16: happy613: sry vedle
60. 18:14:13 DarkPinkies: brej...pokeca někdo?;
61. 18:02:59 IWatt: opiFka: porodný se na tebe vztahuje,bo už prd za jednoho potomka je?
62. 18:02:56 danny88: beisis: jj to bude ok uvidíš :-)
63. 17:59:45 danny88: GanjaPawlina: jj nakoukl jsem po hodne dlouhe dobe :D
64. 17:32:04 strycekodnas: si pro posmech pcio
65. 17:01:59 MrBBO2: AndrewBacon: cos proved:D?
66. 16:55:31 petrdumbi16: Z5 někdo něco?
67. 16:34:11 smltffe: do vzkazů pls nestíhám
68. 16:22:40 2nadrzeny: hojky
69. 16:14:34 Wiliam_Wallace: yasOnKa: hoj ahoj
70. 15:50:06 Wiliam_Wallace: Dark_soul: hoj ahoj
71. 15:43:17 cooloid: lol
72. 15:26:19 hhaannuullaa: mmntik
73. 15:14:38 EssoX: lol no tady asi zase byl pěkněj bordel
74. 14:41:13 cooloid: neseptam sry
75. 14:30:26 cooloid: woe
76. 14:16:03 Mrs_fridge: brej
77. 13:46:31 pichavy-kaktus: azuritecek: tvl to je nick...Azuritecek...to si snad děláš pr.el ...kdyby ti bylo 12 tak to možná pochopim
78. 13:33:22 myska_myska: aoj
79. 13:31:39 Wiliam_Wallace: brej den ...
80. 13:07:08 Postrach_Evelina: OMG
81. 13:03:24 IvanaVonas: jij
82. 13:01:39 Karkulka18: ahojky, pokeca někdo? Já 18, foto v profilu.
83. 13:01:00 hOtShOt: petrdumbi16: jij

84. 12:59:02 hOtShOt: petrdumbi16: jj, sem tu asi po pul roce :-D

Datum: 15.4.2014

Čas: 12:34 – 17:52

85. 17:34:17 JaNI.Czka: brej podvečir
86. 17:24:16 juryn: no,hospa volá
87. 17:20:56 beisis: kua
88. 17:12:25 juryn: a večer do hospy
89. 17:09:55 beisis: ty woe nechte toho jestli klér je tlustá já bych neprošla ani francouzským oknem
90. 17:00:40 kuk.holky: inka10: no nic moc... blbej comp.. furt to zamrzávalo
91. 13:28:07 613happy: ENVY006: omg
92. 13:20:27 sraubys: vb

Datum: 4.6.2014

Čas: 19:35 – 21:30

93. 21:27:19 juryn: tj šulda
94. 21:27:17 crispello: hhaannuullaa: hoj
95. 21:23:52 ravik: crispello: nj.. už mate se šarkou nakej termin? :)
96. 21:19:56 ravik: crispello: šak končim už po 8mi hodinach
97. 21:14:17 Naklonovanej_on-off: tvl ja prestaam mluvit
98. 21:12:25 ravik: crispello: njnn
99. 21:08:50 Macicek.27: hojky pane
100. 21:08:49 kocour25: jsem stale panic a mam 130 kg cely den sedim u pc a smrdim jako prase. kdyz si v hospode dam dve piva tak sem tak nasracky ze zacnu vyznavat lasku vsem hnusnejm servírkám
101. 21:05:46 Hellik: Tootsiie: nj jasný tak držim pěstičky, pak to zapijem
102. 21:04:36 juryn: 21:03:40 Cicek: Thriiish: nikkka.nikkka neserte mne :D ja sem cicek .. vy mi ukazte cecky :D/ dyt' sou ploché jak cecek
103. 21:03:37 juryn: Hellik: hoj heliku
104. 20:58:34 Ellin93: Gracefullady: nz:)
105. 20:58:07 juryn: nikkka.nikkka: hoj nicolko
106. 20:52:54 leqtrick: juryn: ty jsi takovej kokot voe
107. 20:32:23 juryn: Lentilka_: hoj leni
108. 20:28:46 juryn: crispello: hoj kryspéro
109. 20:25:55 Cicek: crispello: jj najdu jinou vid Thriiish
110. 20:21:31 juryn: v...everka: hoj verunko
111. 20:18:03 Lorinka: venda: dyt se ti venuju tak mlc
112. 20:15:30 leqtrick: Dark_soul: jj toho, byl tu na skok posledně
113. 20:14:52 Chemik787: brý večer :)
114. 20:14:11 wons: mmnt =)

Datum: 5.6.2014

Čas: 8:37 – 00:10

115. 23:55:06 andelbezkridel: RenataK04283: brou noc
116. 23:49:24 Upal_se: RenataK04283: No to né, bo je nějaká fakt divná a nevím proč

117. 23:46:28 **crispello**: Upal_se: **dyt** jsme se nefotili ne? Jonáš to fotil akorát na tom chodově a to nám neukazoval
118. 23:44:49 **DJSleeper**: **tywoe** prej oldschoool....no pro teenagera asi jo :o)
119. 23:37:33 **HerrWilly**: **jj** souložit tak, až bude dotyčné sémě téci nosem ven
120. 23:28:44 **Fresh_is_back**: **sektan**: **nn** hraje mi tedka kid cudí
121. 23:23:25 **sektan**: **Fresh_is_back**: jeeeee, **kámo** :) miluju slípknoty, já jsem na tom vyrostl ale toto nééé
122. 23:23:03 **Fresh_is_back**: **Fraise**: **loool**
123. 23:16:43 **sektan**: **Fresh_is_back**: co máš rád ty **kámo**?
124. 23:07:46 **sektan**: sem si vyndal něco na stul **woe**, to byla rána
125. 23:06:24 **Fresh_is_back**: **kuwa** za chvílu musím spát
126. 22:51:55 **Baba_10**: **FirefoxNightly**: **jj** jde
127. 22:50:17 **FirefoxNightly**: de vam **fb**?
128. 22:43:29 **EssoX**: **MiLi**: a nevím, **esli** si nechat IS nebo IS2
129. 22:41:38 **jantranslation**: **Mary27**: ahoj, mam **foto** v profilu
130. 22:35:26 **ajuskah**: ví ten **kkt** vůbec že má správce
131. 21:54:50 **Dark_soul**: **superstarBH**: dám s Tebou **cigo** Niky
132. 21:54:36 **WILDBOY.005**: **lol**.juryn de mastit
133. 21:52:53 **Logic.magic**: **Hoj** lidi
134. 21:22:09 **Logic.magic**: **Hoj**
135. 20:48:52 **Gracefullady**: **mmtik**
136. 20:48:34 **juryn**: **Cicek**: pro mě **tj** od začátku šmoula, je to přece milejší
137. 20:44:18 **Tatka.Smloua**: **juryn**: tak **voe** bez fidičáku sjem jim k ničemu
138. 20:38:33 **Gracefullady**: **ErikRudy**: **nj** blbej den, obcas taky býva
139. 20:27:22 **Mysicky.Medvidek**: **hoj**
140. 19:52:51 **Hellik**: **ErikRudy**: **jj** :D tak nečumím lidem do profilu
141. 19:51:36 **ErikRudy**: **Hellik**: schválně kolik **bys** řekla ? :)
142. 19:49:57 **JaNI.Czka**: **mmmm**
143. 19:36:05 **clenched.fist**: **bry** vecer
144. 19:29:00 **ErikRudy**: **wtf???** já a správce? :D
145. 19:24:59 **ska-girl**: **brej** večír
146. 19:17:26 **oco**: **Fortune.x**: **ták tj** :-))
147. 18:37:29 **beisis**: **kua** *
148. 18:31:12 **ppeppe**: slečna, pani, mamina na pokec s 24 letým klukem ? odkudkoliv, jakákoliv ? kdyžtak šeptni :) **foto** v profilu :)
149. 18:24:29 **juryn**: ale já pak naždy **tj** to
150. 18:11:59 **juryn**: **nikkka.nikkka**: **hoj** nicolko
151. 18:07:47 **juryn**: **no,tj** mrzuté
152. 17:56:47 **juryn**: **beisis**: **tj** víc než bible,tak to nějak zkrat'
153. 17:50:42 **juryn**: **beisis**: **hoj** bejsko
154. 17:44:19 **juryn**: **Thriiish**: **hoj** Patričko
155. 17:43:37 **destroyer.x**: **Thriiish**: **njn**, chapu **platinovy kreditky** nerostou na stromech
156. 16:59:38 **Fortune.x**: **pusiik009**: **hojda**
157. 16:29:11 **muz.34**: **Jj** nic... je tu nudicka :-)
158. 16:11:47 **hubenourek**->**Maynda**: **hojkyy**
159. 15:57:17 **sektan**: **andelbezkridel**: mno v tý warezový pirátský verzi od skidrow je prej nějaký bitcoin miner, **bo** co
160. 15:55:54 **Tatka.Smloua**: **Upal_se**: **omg**, nemám žádný, nikdy sem nečl a nikdy jsem žádný ani nešňupal
161. 15:40:36 **Cicek**: **Upal_se**: **jj** cela flaska fernetu :D
162. 15:39:47 **hledam-zl**: **Zlínsko...31/190** svalnatý sportovec, hnědovlasý, modrooký s 19/6 vyholený VŠ...je zájem?..diskrétnost a zdraví...**FOTO** POŠLU... 9.6-11.6 budu v okolí Telče, Hodic a Pavlova - Bezděkova někdo tam se
163. 5:39:09 **Rhiaxnnon**: **andelbezkridel**: **jj** to se ještě dá..no nic musím letět tak se tu měj..papa...

164. 15:37:52 **Stribrnyvk:** **Hoj Hoj!**
15:22:45 **mara1225:** ahoj je tu žena z Prahy nebo Kladna a okolí? ja **fota** v profilu.
165. 15:21:11 **inka10:** Rhiaxnnon: **sim te**neco se me jen nedari vis....
166. 15:18:09 **Tukacico1:** ahojda pisne nějaká holčina? **foto** v profilu
167. 15:00:58 **andelbezkridel:** spider-g.i.r.l: že **tys** tu muchu už spolkla. :D
168. 14:57:20 **RKJOJ:** 8-) **kua** to je nuda ten chat :)
169. 14:52:43 **mara1225:** ahoj je tu žena z Prahy nebo Kladna a okolí? ja **fota** v profilu.
170. 14:48:35 **mara1225:** ahoj je tu žena z Prahy nebo Kladna a okolí? ja **fota** v profilu
171. 14:46:08 **Tukacico1:** ahojda pisne nějaká holčina?? **foto** v profilu seznameni?Ja 35.Kdy by mela deti tak nevadi.
172. 14:38:23 **americium:** **hoj**
173. 14:36:38 **delyvaldez:** ahoj pokecá nějaká sympatická slečna co má i **foto** prosím? .)
174. 14:36:20 **andelbezkridel:** Rhiaxnnon: **zas**... dnes zase rýpavou? **spíš furt ne?**
175. 14:36:00 **Tukacico1:** ahojda pisne nějaká holčina?? **foto** v profilu
176. 14:34:58 **Rhiaxnnon:** andelbezkridel: **zas** nebo ještě furt... ne promin mám dneska zas rýpavou.. nop já už se pěkně válím doma..
177. 14:17:41 **Panda :** **Zas du**
178. 14:01:20 **Lady-Z:** Tomasino174: spatna mistnost **kámo:))**
179. 13:59:59 **RKJOJ:** **bre** odpoledne
180. 13:57:54 **VitalijKlicko:** hiiiphooopdontstop: to není **disko kámo**
181. 13:57:37 **Michaela1993:** někdo na pokecm nejlépe na **fb?**
182. 13:54:50 **DMNC_na_Ntou:** **Upal_se:** **voe** dneska na humor a recepty
183. 13:52:50 **Upal_se:** DMNC_na_Ntou: Je to jednoduchý. Jen nesmíš tvrdnout na **netu**
184. 13:46:57 **hiiiphooopdontstop:** Dark_soul: du na **cígo with u**
185. 13:46:22 **DMNC_na_Ntou:** **Upal_se:** jaro by bylo **v poho** :D to by znamenalo ze to odejde
186. 13:45:42 **Dark_soul:** kdo jde na **cígo?**
187. 13:45:22 **MOTURECEK:** cau je tu nejaka holka co si chvili napise a zkrati mi tak cekani na **bus?** :D :D
188. 13:40:01 **VitalijKlicko:** DMNC_na_Ntou: ahoj **kámo**
189. 13:38:07 **Raduska993:** **brý** den všem :)
190. 13:27:36 **HerrWilly:** Rhiaxnnon: **šak** tam budu taky
191. 13:24:42 **VitalijKlicko:** hiiiphooopdontstop: delam pro podobne lidi **kámo**
192. 13:22:10 **VitalijKlicko:** hiiiphooopdontstop: pan Jonak vi co je dobre **kámo**
193. 13:20:08 **hiiiphooopdontstop:** martinqa.18: **v poho** nezatěžuj se tím
194. 13:08:39 **hiiiphooopdontstop:** Milton: **jj** je to hate boy misto wildboy
195. 13:06:39 **ircag:** nekdo pro me **pls**
196. 12:58:48 **hiiiphooopdontstop:** **mmnt** du se vyčurat
197. 12:46:44 **HerrWilly:** **tys** dopadl, ani čech ani moravák
198. 12:41:00 speedcorer: Ahoj pokecá tu nějaká fajn holčina???? **fota** v profilu....
199. 12:31:15 **Scipio:** hiiiphooopdontstop: **jj** koukam že Wildtoy zas držkuje
200. 12:29:26 **hiiiphooopdontstop:** wildboy.1asfd: **zas** neprud vole
201. 12:26:31 **hiiiphooopdontstop:** Techtrancer: **jj** diky kámo
202. 12:06:18 **Scipio:** L-o-v-e: to **jim** na vance, **lol**
203. 11:51:02 **Mind.bender_diss:** Tatka.Smloua: jakto **voe** ?
204. 11:32:20 **Mrs.fridge:** **hoo**
205. 11:26:24 **Rhiaxnnon:** HerrWilly: **np** tak ja zas pujdu mej se kecko
206. 11:24:38 **RKJOJ:** **zš**
207. 11:22:41 **americium:** **hoj**
208. 11:16:34 **lukasarcher1:** cim mladsí, tím drzejsí, **nj** dnesni holky
209. 10:43:11 **lovelygirl08:** **jn**
210. 10:41:49 **Gracefullady:** Wiliam_Wallace: **nj** ale já tu budu az do dvou do noci:-))to ty uz budes chrapat:-)
211. 10:40:28 **Wiliam_Wallace:** Gracefullady: **oš** ahoja
212. 10:15:08 **Kluk.85:** najde se tu nejaka fajn slečna na pokec? **fota** tu mam BRNO

213. 10:13:21 lovelygirl08: mmnt
214. 10:09:42 mamradsex: hoj kdo pokecá??? nejlépe Valmez Vsetín Rožnov Hranice Bystřice a okolíiii...
215. 9:54:43 mamradsex: hoj kdo pokecá??? nejlépe Valmez Vsetín Rožnov Hranice Bystřice a okolíiii...
216. 9:21:25 mamradsex: hoj kdo pokecá??? nejlépe Valmez Vsetín Rožnov Hranice Bystřice a okolíiii...
217. 9:15:43 mara1225: ahoj je tu žena z Prahy nebo Kladna a okolí? ja fota v profilu
218. 9:13:15 RumovejMuzicek2009: ale sim tě nevíš co je dobrý
219. 9:13:14 wEndy18: mmnt
220. 9:12:21 RKJOJ: brej
221. 9:10:34 mara1225: ahoj je tu žena z Kladna nebo Ústí nad Labem? ja foto v galerii.
222. 9:09:20 RumovejMuzicek2009: zas nikdo ne pokecá tak pujdu
223. 8:58:44 mamradsex: hoj kdo pokecá??? nejlépe Valmez Vsetín Rožnov Hranice Bystřice a okolíiii...
224. 8:56:07 mamradsex: hoj kdo pokecá??? nejlépe Valmez Vsetín Rožnov Hranice Bystřice a okolíiii...
225. 8:43:57 mamradsex: hoj kdo pokecá? nejlépe Valmez Vsetín Rožnov

Datum: 10.6.2014

Čas: 9:35 – 14:05

226. 13:57:29 vostruzinka: Ma někdo z vás kdo. Mi píse fb
227. 13:38:34 NaturalMallory: Wladimir Klitschko: jj bez a hned!
228. 13:28:10 NaturalMallory: co zas
229. 13:09:56 NaturalMallory: momník
230. 13:08:01 NaturalMallory: byle to je vedro
231. 12:52:37 lenkasamotarka: trapacante: jj
232. 12:37:05 nespohlelivej_debil: jjj
233. 12:33:22 Upal_se: sektan: V poho, mě to nevadí
234. 12:08:33 juryn: nj, grejs má volno
235. 12:00:33 Dark_soul: brý ráno
236. 11:37:40 SKiRMiSeK: juryn: hoj Džordžo
237. 11:37:24 juryn: SKiRMiSeK: hoj lucije
238. 11:32:13 nespohlelivej_debil: jj moravska zavist
239. 11:28:10 juryn: Thriiish: hoj Patričko
240. 11:22:27 Thomas19: Pokecá nějaká dívka s pěkným klukem?? foto zašlu..
241. 11:20:43 nespohlelivej_debil: jj
242. 11:19:29 nadzeny.mazel->Maynda: můžu za tebou pls?
243. 11:12:33 juryn: a jestli jo, tj pak ta flákota
244. 11:11:35 juryn: beisis: hoj bejsko
245. 11:11:23 Upal_se: superstarBH: Sim Tě. Taky jsem Ti nevyčítal Tvoje chyby
246. 10:55:30 superstarBH: sexyWamp23: Iris tos měla říct hned
247. 10:55:18 L.De: Muffin: byls někdy na poděbradech? v Olomouci? :)
248. 10:51:10 juryn: nj, každý není tak dokonalý
249. 10:49:13 juryn: Nes_Mysl: tam by to skákalo nad a od tou hranicí, tj na prd
250. 10:47:44 kluk_z_Brna29: bréé deň
251. 10:43:49 juryn: sexyWamp23: hoj martí
252. 10:43:41 juryn: superstarBH: hoj babčo hepčo
253. 10:29:55 Gracefullady: no tys tu chybel
254. 10:19:42 nespohlelivej_debil: zadna tlusta pica atd
255. 10:14:26 Julieta30: Mrs_fridge: jj no v pohodě zatím mám super chlapíka co má super práci takže to niak moc neřeším
jen domaje to fakt nuda kolikrát
256. 10:09:47 Julieta30: Mrs_fridge: z čb

257. 10:02:27 JaNI.Czka: holka ma na fb takovy sesy fotky... rika jak prca za prachy velky podnikatele... a asi do xxxxxxl se nevejde.. kupuje stany na sebe
258. 10:00:31 superstarBH: 9:59:33 Julieta30: dino1982: nevím cos psal ta bílá je šílená //jen růžová to může býýýýt tydydadatydadatyptyp
259. 9:59:33 Julieta30: dino1982: nevím cos psal ta bílá je šílená
260. 9:57:56 Gracefullady: mrzne voe D
261. 9:44:48 superstarBH: du na žvárko
262. 9:43:13 Julieta30: Upal_se: chtěls to máš to mít :-)

Datum: 10.6.2014

Čas 20:50 – 23:01

263. 22:51:43 JaNI.Czka: este mi pustte psani z lasky no =>
264. 22:49:19 Gracefullady: mmt
265. 22:44:50 vorvor: dellisa86: hojij
266. 22:44:48 Scipio: Techtrancer: jj na fet
267. 22:38:42 JaNI.Czka: Fresh_is_back: coe?
268. 22:35:50 Knoflik.36: Brý večer:-)
269. 22:27:49 superstarBH: Fresh_is_back: tys mi psal první ještě to udělej jednou a nezbavíš se mě
270. 22:19:59 Mrs. fridge: hraj
271. 22:08:23 Deam: scipio: jj
272. 22:06:09 vorvor: 99Vojanda: hojij ..
273. 21:51:59 AndrewBacon: Kua, nejde mi Facebook chat pres XMPP, ma nekdo stejny problem?
274. 21:44:33 squat: nikkka.nikkka: co bys chtěla vědět? :D
275. 21:40:46 rumscolou: pokec, drinky atd...D
276. 21:39:21 squat: nikkka.nikkka: hoj ?D
277. 21:21:52 superstarBH: mmt
278. 21:19:31 vorvor: ximikk: hojij. preji hezky vecer..
279. 21:15:46 vorvor: Patejlka: hoj kocko,..
280. 21:04:49 Scipio: lol ty horrory na cs film jsou tak amatersky trapny
281. 20:53:53 Gracefullady: mmt
282. 20:50:17 ajuskah: zas jsem něco prošvihla