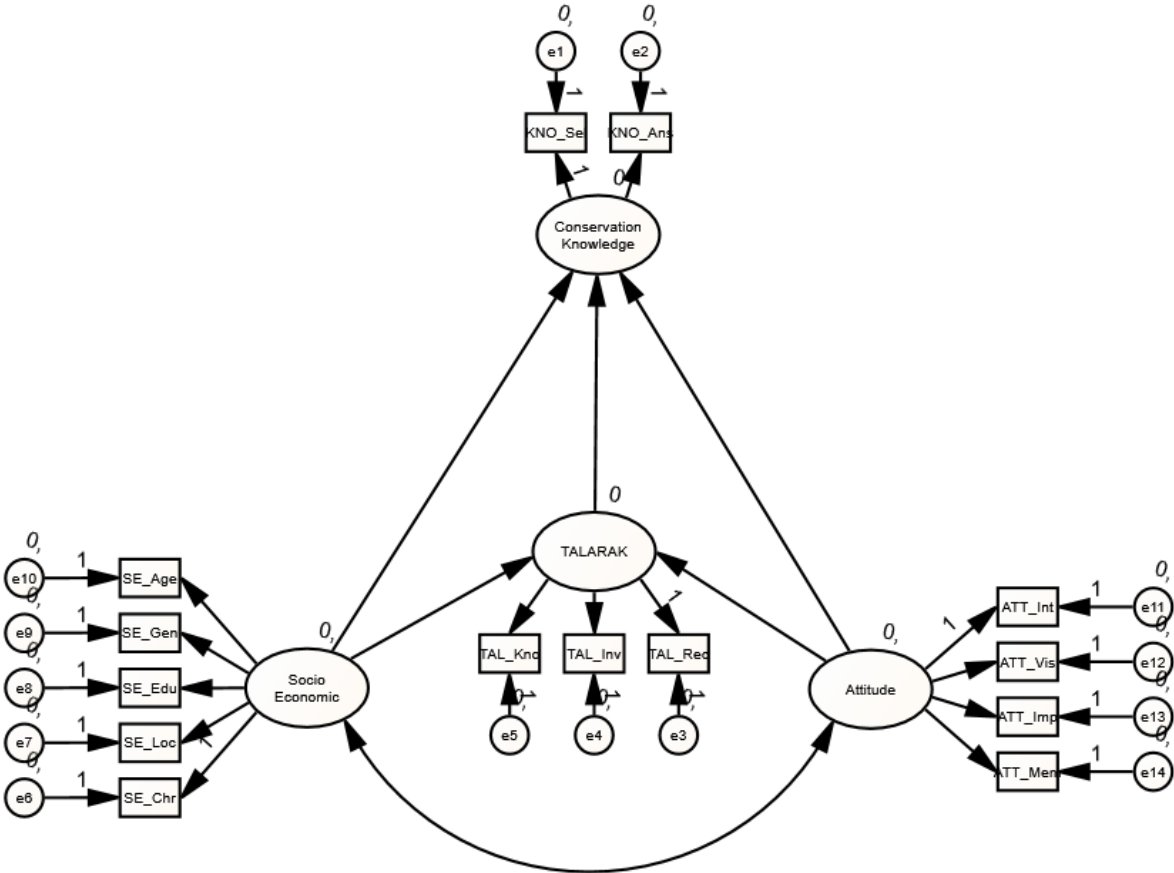
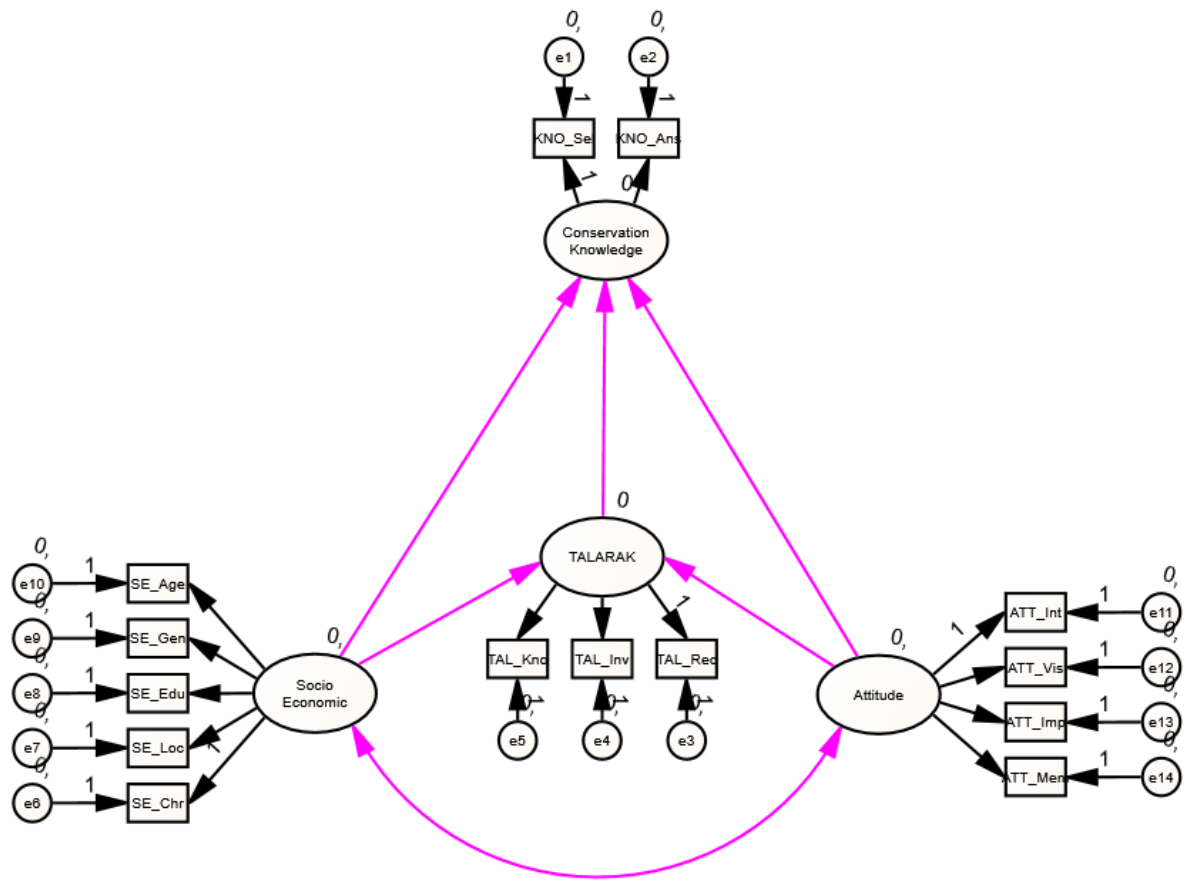
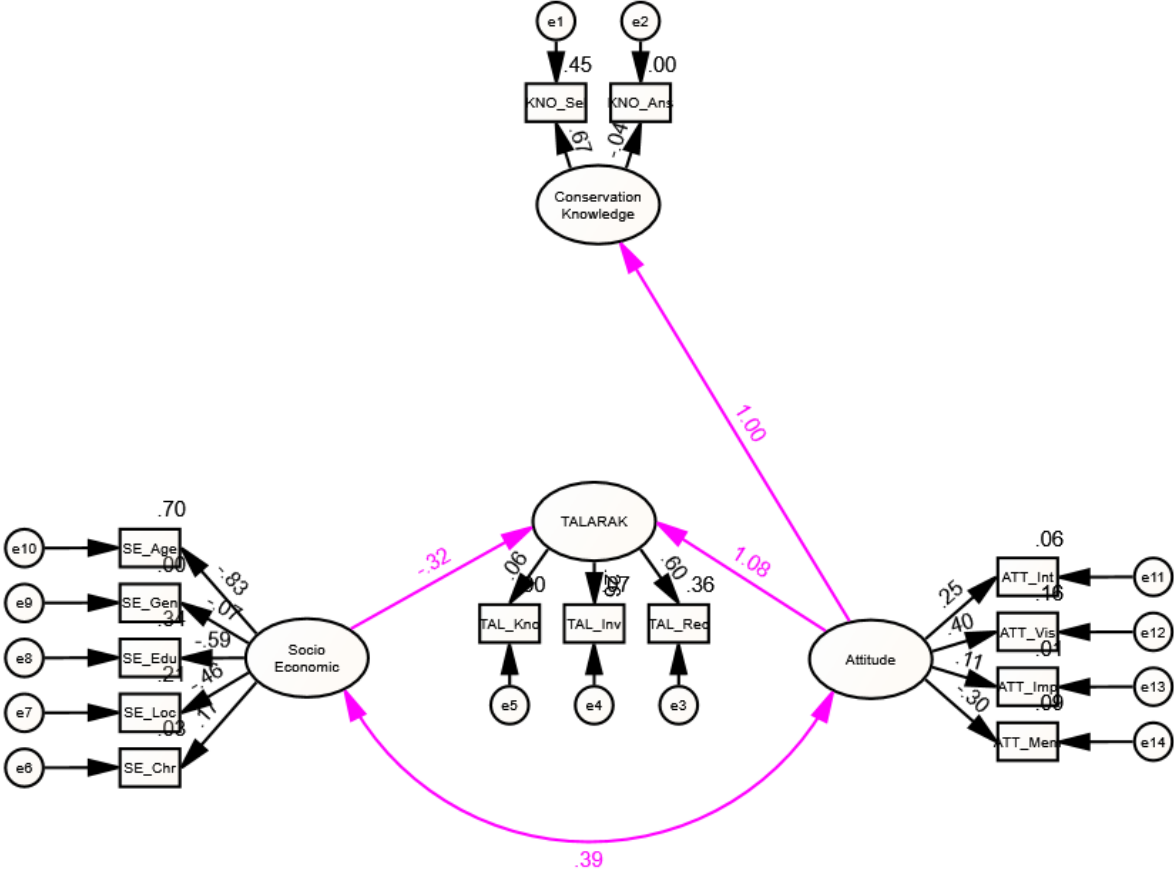


No missing; Maximum likelihood

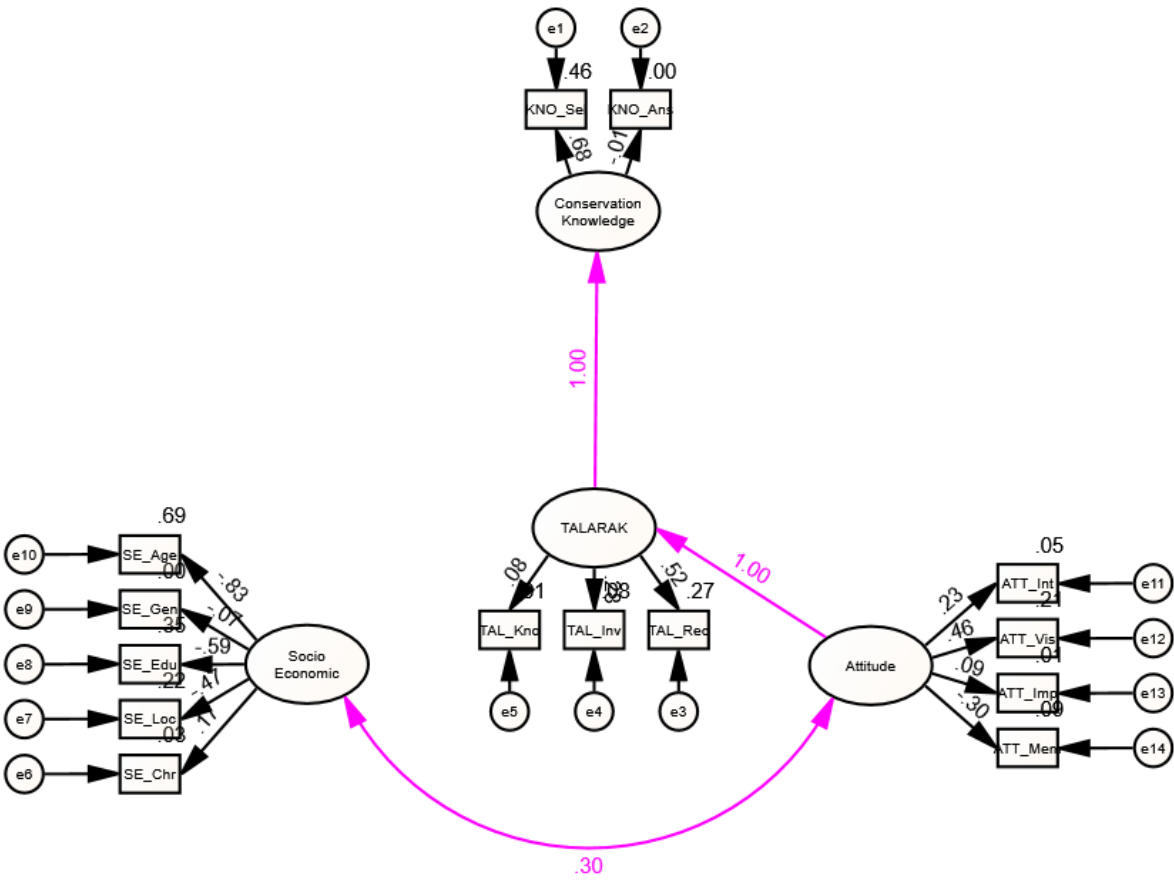




Model 3



Model 2



Model 1

